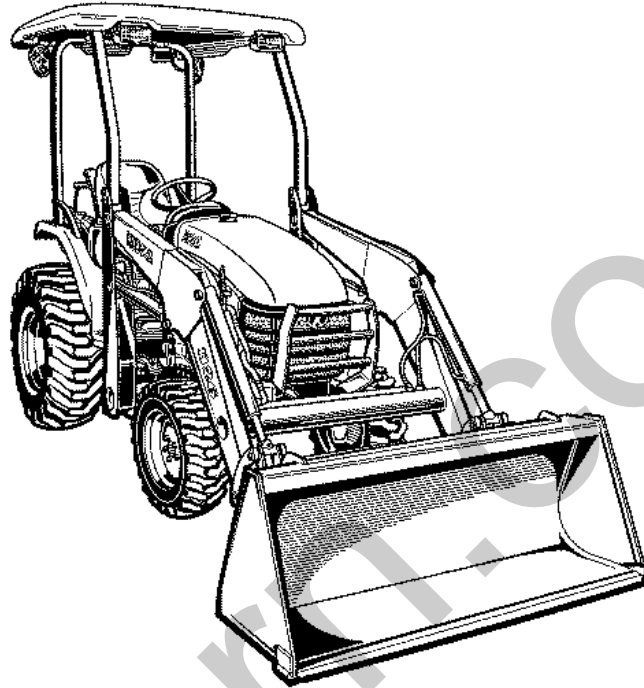
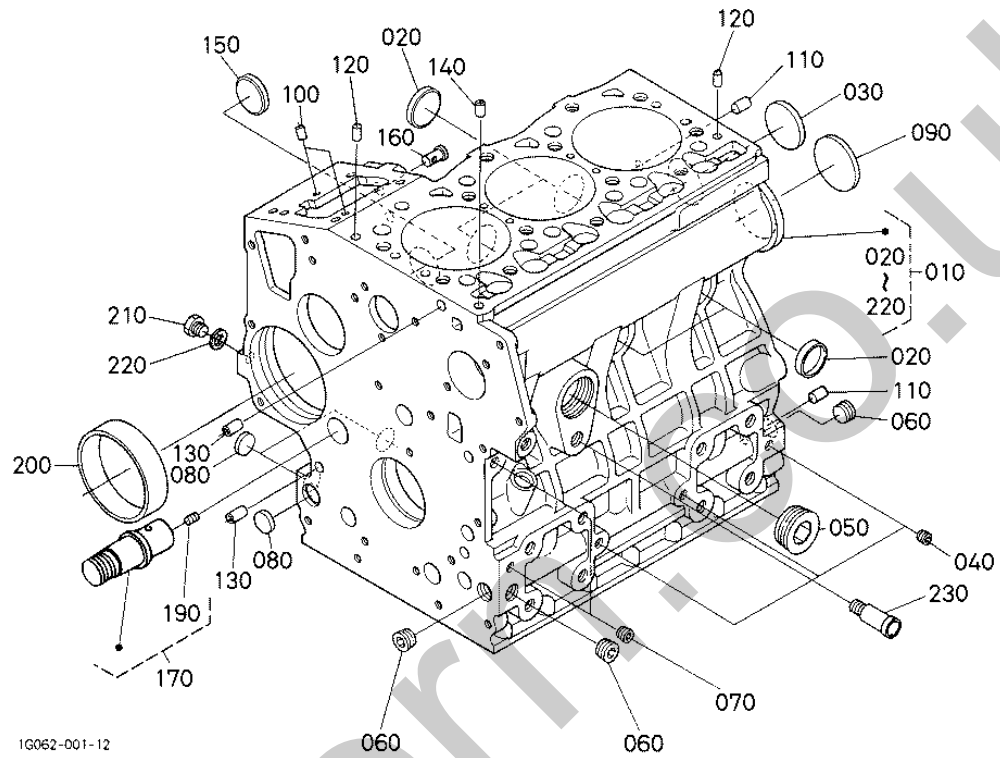


B26



Silverhollow.co.uk

CRANKCASE



1G062-001-12

CRANKCASE

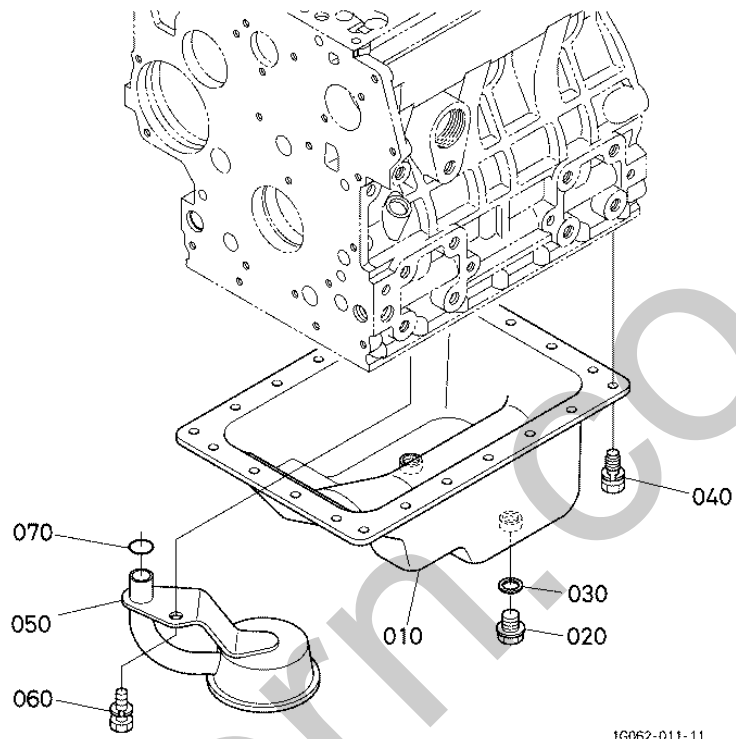
Ref	Part Number	Part Name	Qty	IC	S/N	Lbs	Remarks
010	1G062-01013	COMP.CRANKCASE	1			66	
020	15451-96270	CAP SEALING	4			0.002	
030	15221-03490	CAP SEALING	1			0.044	
040	15261-96010	PLUG	3			0.004	
050	16683-96020	PLUG	1			0.154	
060	16241-96010	PLUG	3			0.015	
070	15521-96020	PLUG	2			0.006	

CRANKCASE

Ref	Part Number	Part Name	Qty	IC	S/N	Lbs	Remarks
080	17391-96160	PLUG EXPANSION	3			0.006	
090	16271-96160	PLUG EXPANSION	1			0.055	
100	05012-00508	PIN STRAIGHT	2			0.002	
110	05012-00814	PIN STRAIGHT	2			0.013	
120	05012-00610	PIN STRAIGHT	2			0.006	
130	15231-33960	PIN PIPE	2			0.002	
140	16241-33650	PIN PIPE	1			0.004	
150	16241-96262	PLUG	1			0.015	
160	16261-56280	PIN START SPRING	1			0.008	
170	16251-24060	COMP SHAFT IDLE	1			0.396	
190	15521-93610	SCREW SET	1			0.004	
200	16271-55350	BUSH GOVERNOR GEAR	1			0.132	
210	15221-33610	PLUG	1			0.019	
220	15021-33660	GASKET	1			0.002	
230	15321-73340	PIPE WATER RETURN	1			0.035	

Silverhorn.co.uk

OIL PAN



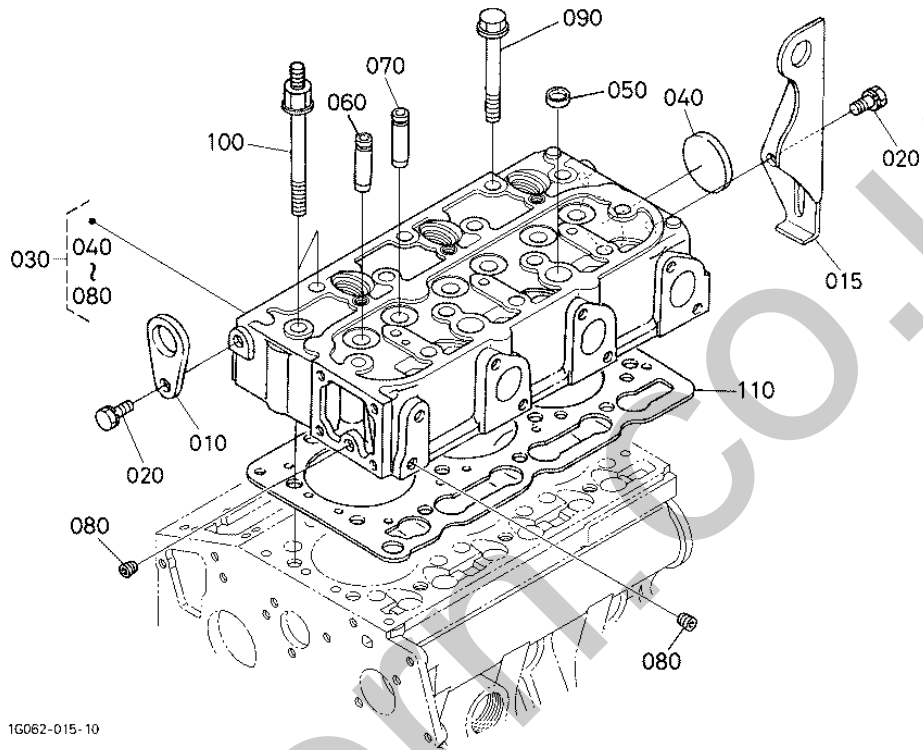
1G062-011-11

OIL PAN

Ref	Part Number	Part Name	Qty	IC	S/N	Lbs	Remarks
010	16326-01502	COMP.OIL PAN	1			2.915	
020	13901-33750	PLUG DRAIN	2			0.066	
030	6C090-58960	GASKET	2			0.004	
040	16221-91122	BOLT	22			0.011	
050	16326-32110	FILTER OIL	1			0.206	
060	01123-60816	BOLT	1			0.022	
070	04814-00160	O RING	1			0.002	

Silverhorn.CO.UK

CYLINDER HEAD



1G062-015-10

CYLINDER HEAD

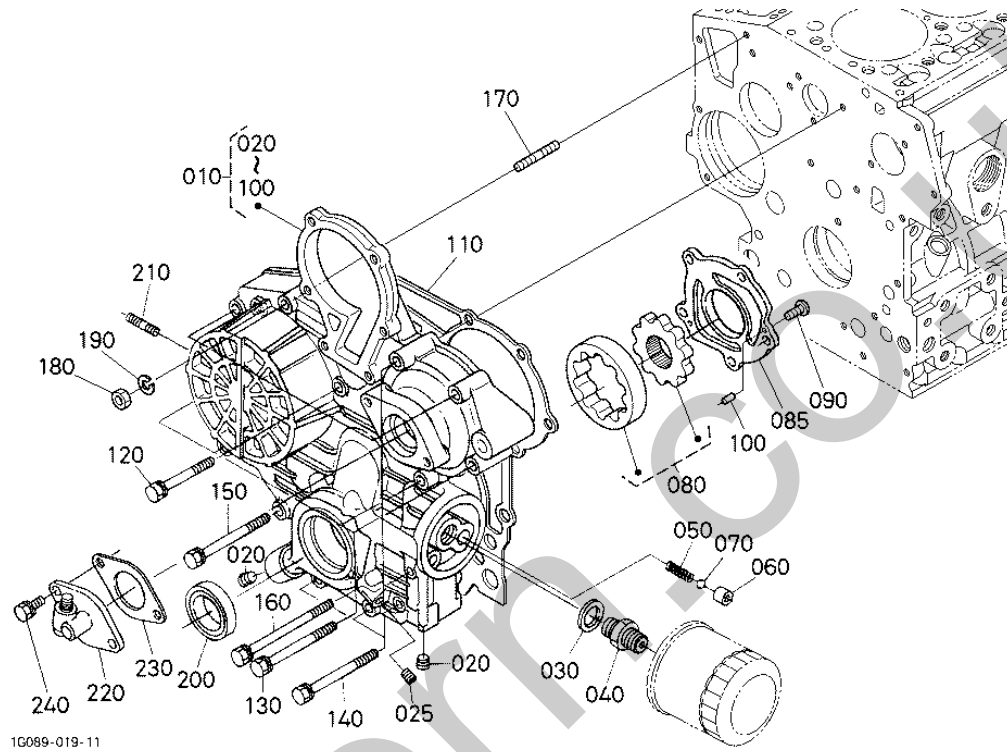
Ref	Part Number	Part Name	Qty	IC	S/N	Lbs	Remarks
010	15221-01750	HOOK ENGINE	1			0.088	
015	16241-01770	HOOK ENGINE	1			0.385	
020	01123-60814	BOLT	2			0.022	
030	1G065-03043	COMP.CYLINDER HEAD	1	>>	>=7A0001	0	
030	1G065-03043	COMP.CYLINDER HEAD	1		<=6Z1449	0	
040	15321-96260	CAP SEALING	1			0.030	
050	15261-03370	CAP SEALING	2			0.011	

CYLINDER HEAD

Ref	Part Number	Part Name	Qty	IC	S/N	Lbs	Remarks
060	16261-13540	GUIDE INLET VALVE	3			0.044	
070	16261-13560	GUIDE EXHAUST VALVE	3			0.041	
080	15261-96010	PLUG	2			0.004	
090	16241-03450	BOLT CYLINDER HEAD	12			0.11	
100	16216-03450	BOLT CYLINDER HEAD	2			0.154	
110	1G063-03310	GASKET CYLINDER HEAD	1			0.352	

Silverhorn.CO.UK

GEAR CASE



1G089-019-11

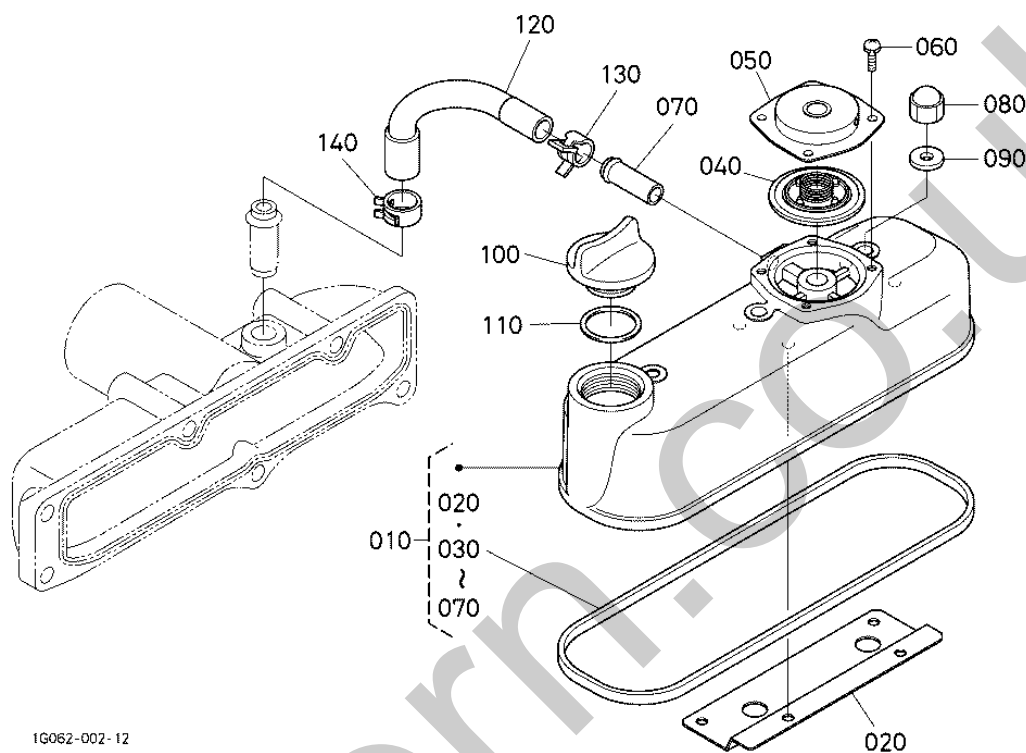
GEAR CASE

Ref	Part Number	Part Name	Qty	IC	S/N	Lbs	Remarks
010	16252-04022	COMP.CASE GEAR	1			5.412	
020	16241-96020	PLUG	2			0.033	
025	15521-96020	PLUG	1			0.006	
030	04011-50180	WASHER PLAIN	1			0.026	
040	15241-32290	JOINT PIPE	1			0.116	
050	16241-36950	SPRING	1			0.033	
060	16241-36930	SEAT VALVE	1			0.070	

GEAR CASE

Ref	Part Number	Part Name	Qty	IC	S/N	Lbs	Remarks
070	07715-00201	BALL	1			0.017	
080	16241-35070	ASSY ROTOR OIL PUMP	1			0.594	
085	16251-35130	COVER OIL PUMP	1			0.198	
090	03017-50620	SCREW CR-REC-BD-HD	5			0.011	
100	05012-00410	PIN STRAIGHT	2			0.002	
110	16264-04130	GASKET GEAR CASE	1			0	
120	01023-50645	BOLT	3			0.022	
130	01023-60650	BOLT	4			0.033	
140	01023-50655	BOLT	4			0.026	
150	01023-50665	BOLT	1			0.033	
160	16241-91040	BOLT	1			0.033	
170	16245-91530	STUD	1			0.022	
180	02056-50060	NUT	1			0.004	
190	04512-60060	WASHER SPRING	1			0.002	
200	16241-04212	SEAL OIL	1			0.026	
210	16245-91540	STUD	2			0.011	
220	58417-25950	ASSY GEAR CASE H/M	1			0.638	
230	16264-88130	GASKET H/METER UNIT	1			0.004	
240	01023-50618	BOLT	2			0.013	

HEAD COVER



1G062-002-12

HEAD COVER

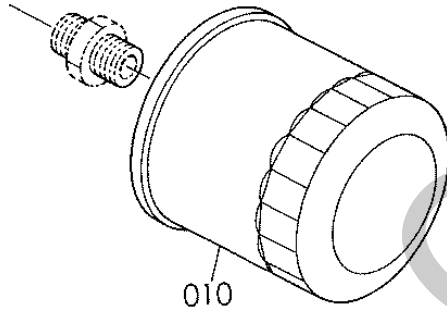
Ref	Part Number	Part Name	Qty	IC	S/N	Lbs	Remarks
010	1G032-14504	ASSY COVER CYL.HEAD	1			1.738	
020	1G032-05370	SHIELD OIL BREATHER	1			0.066	
030	16261-14520	GASKET HEAD COVER	1			0.022	
040	1G911-05203	COMP.VALVE BREATHER	1			0.022	
050	1G801-05120	COVER BREATHER	1			0.077	
060	03024-50510	SCREW WITH WASHER	4			0.004	
070	17331-73342	PIPE WATER RETURN	1			0.022	

HEAD COVER

Ref	Part Number	Part Name	Qty	IC	S/N	Lbs	Remarks
080	15952-92330	NUT	3			0.022	
090	15951-96660	GASKET	3			0.002	
100	E9151-33140	PLUG OIL FILLER	1			0.037	
110	04814-50300	O RING	1			0.002	
120	1G032-05510	TUBE BREATHER	1			0.037	
130	09318-88150	CLAMP HOSE	1			0.008	
140	16259-05580	CLAMP HOSE	1			0.066	

Silverhorn.CO.UK

OIL FILTER

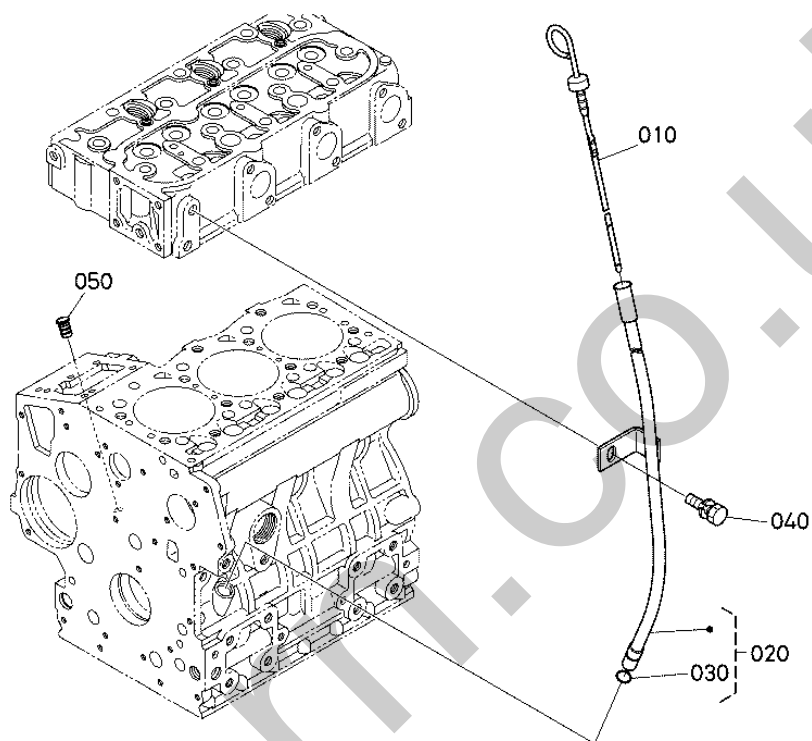


16615-003-10

OIL FILTER

Ref	Part Number	Part Name	Qty	IC	S/N	Lbs	Remarks
010	HH150-32094	CARTRIDGE OIL FILTER	1	>>		0.77	
010	15241-32094	CARTRIDGE OIL FILTER	1			0.77	

DIPSTICK AND GUIDE

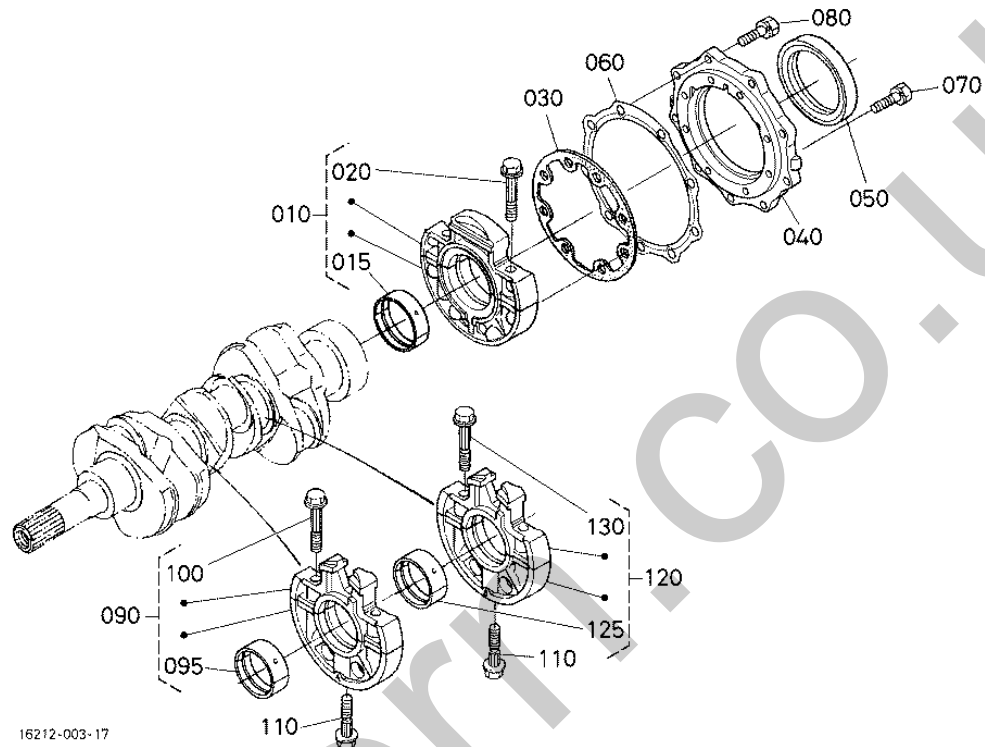


1G062-016-10

DIPSTICK AND GUIDE

Ref	Part Number	Part Name	Qty	IC	S/N	Lbs	Remarks
010	1G089-36410	GAUGE OIL	1			0.077	
020	1G089-36502	ASSY GUIDE OIL GAUGE	1			0.33	
030	04814-00090	O RING	1			0.002	
040	01123-60814	BOLT	1			0.022	
050	1G513-36550	PLUG OIL GAUGE	1			0.008	

MAIN BEARING CASE



MAIN BEARING CASE

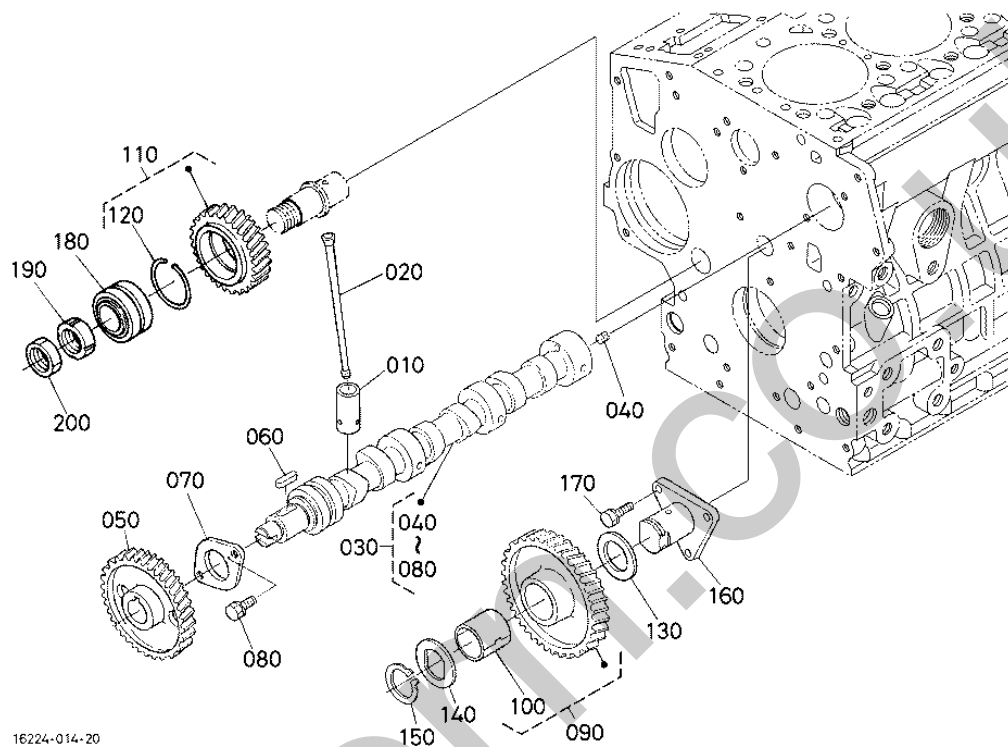
Ref	Part Number	Part Name	Qty	IC	S/N	Lbs	Remarks
010	16292-07095	ASSY BRG.CASE WHEEL	1			2.42	
015	16292-23494	METAL CRANKSHAFT	1			0.154	STD SET
020	16241-04540	BOLT BEARING CASE	2			0.044	
030	16264-04360	GASKET BRG.CASE	1			0.004	
040	16241-04815	COVER BEARING CASE	1			0.484	
050	16271-04460	SEAL OIL	1			0.088	
060	16264-04822	GASKET CASE COVER	1			0.017	

MAIN BEARING CASE

Ref	Part Number	Part Name	Qty	IC	S/N	Lbs	Remarks
070	01023-50625	BOLT	8			0.015	
080	01023-50620	BOLT	9			0.013	
090	16261-07045	ASSY BRG.CASE MAIN	1			1.892	
095	16241-23480	METAL CRANKSHAFT	1			0.11	STD SET
100	16241-04540	BOLT BEARING CASE	2			0.044	
110	16241-04560	BOLT BEARING CASE	2			0.066	
120	16261-07055	ASSY BRG.CASE MAIN	1			1.76	
125	16241-23480	METAL CRANKSHAFT	1			0.11	STD SET
130	16241-04540	BOLT BEARING CASE	2			0.044	

Silverhorn.co.uk

CAMSHAFT AND IDLE GEAR SHAFT



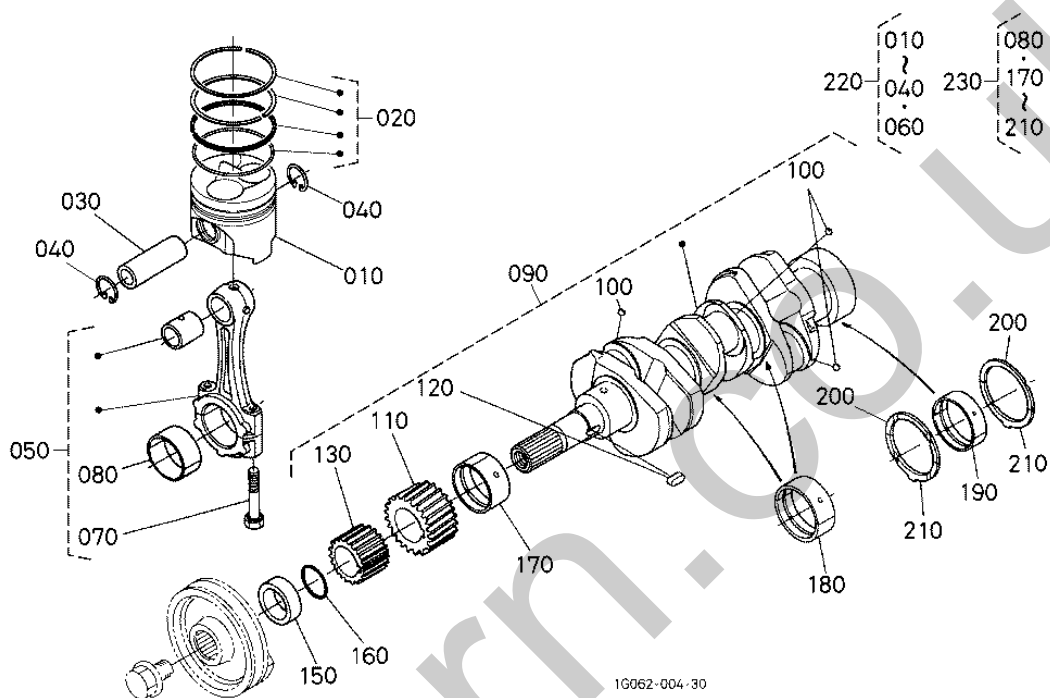
CAMSHAFT AND IDLE GEAR SHAFT

Ref	Part Number	Part Name	Qty	IC	S/N	Lbs	Remarks
010	1G673-15550	TAPPET	6			0.077	
020	16241-15110	PUSH ROD	6			0.066	
030	16261-16910	ASSY CAMSHAFT	1			3.74	
040	15521-93610	SCREW SET	1			0.004	
050	16241-16510	GEAR CAM	1			0.99	
060	05712-00518	KEY FEATHER	1			0.006	
070	16241-16270	STOPPER CAMSHAFT	1			0.088	

CAMSHAFT AND IDLE GEAR SHAFT

Ref	Part Number	Part Name	Qty	IC	S/N	Lbs	Remarks
080	01023-50616	BOLT	2			0.011	
090	16243-24010	COMP GEAR IDLE	1			1.32	
100	16251-24980	BUSH IDLE GEAR	1			0.077	ORDER BY REF.No.09
110	16251-24020	COMP GEAR IDLE	1			3.52	
120	16251-24320	CIR CLIP INTERNAL	1			0.022	
130	16251-24360	COLLAR IDLE GEAR	1			0.026	
140	15741-24370	COLLAR IDLE GEAR	1			0.033	
150	15741-24320	CIR CLIP IDLE GEAR	1			0.022	
160	16251-24250	SHAFT IDLE GEAR	1			0.792	
170	01023-50616	BOLT	3			0.011	
180	16251-24350	BEARING TAPER-ROLLER	1			0.462	
190	02410-00040	NUT BEARING	1			0.041	
200	16251-92210	NUT LOCK	1			0.022	

PISTON AND CRANKSHAFT



PISTON AND CRANKSHAFT

Ref	Part Number	Part Name	Qty	IC	S/N	Lbs	Remarks
010	16060-21914	PISTON	3			0.913	0.50mm
010	16060-21114	PISTON	3			0.88	STD
020	16292-21050	ASSY PISTON RING	3			0.002	STD
020	16292-21090	ASSY PISTON RING	3			0.030	0.50mm
030	16241-21310	PIN PISTON	3			0.297	
040	16241-21330	CIR CLIP PISTON PIN	6			0.004	
050	1G700-22010	ASSY ROD CONNECTING	3			1.144	

PISTON AND CRANKSHAFT

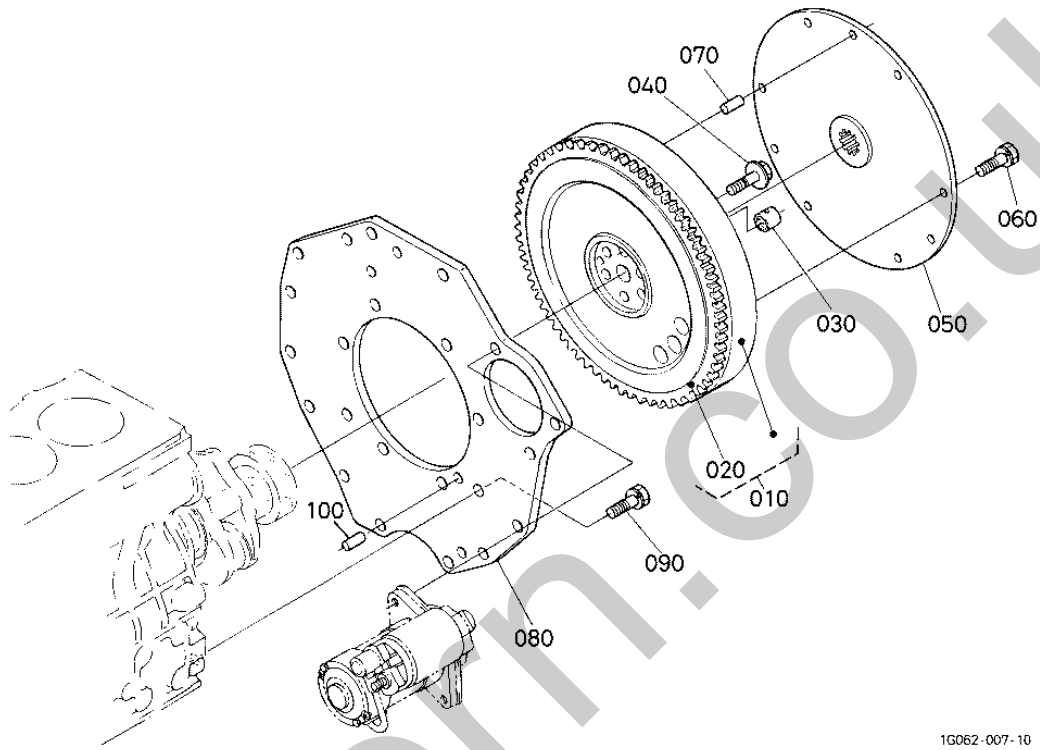
Ref	Part Number	Part Name	Qty	IC	S/N	Lbs	Remarks
070	16241-22142	BOLT CONNECTING ROD	6			0.052	
080	16241-22310	METAL CRANKPIN	6			0.083	STD SET
080	16241-22970	METAL CRANKPIN	3			0.176	-0.20mm SET
080	16241-22980	METAL CRANKPIN	3			0.22	-0.40mm SET
090	16261-23013	COMP.CRANKSHAFT	1			21.07	
100	07715-00401	BALL	3			0.002	
110	16241-24110	GEAR CRANK	1			0.33	
120	16271-95230	KEY	1			0.011	
130	16241-35630	GEAR OIL PUMP DRIVE	1			0.224	
150	16271-23250	COLLAR CRANKSHAFT	1			0.121	
160	04814-10280	RING	1			0.002	
170	16241-23910	METAL CRANKSHAFT	1			0.066	-0.20mm
170	16241-23920	METAL CRANKSHAFT	1			0.149	-0.40mm
170	16241-23470	METAL CRANKSHAFT	1			0.132	STD
180	16241-23480	METAL CRANKSHAFT	2			0.11	STD SET
180	16241-23930	METAL CRANKSHAFT	2			0.22	-0.20mm SET
180	16241-23940	METAL CRANKSHAFT	2			0.11	-0.40mm SET
190	16292-23494	METAL CRANKSHAFT	1			0.154	STD SET
190	16292-23864	METAL CRANKSHAFT	1			0.11	-0.20mm SET
190	16292-23874	METAL CRANKSHAFT	1			0.11	-0.40mm SET
200	15521-23530	METAL SIDE	2			0.022	STD
200	15521-23950	METAL SIDE	2			0.022	+0.20mm
200	15521-23960	METAL SIDE	2			0.022	+0.40mm
210	19202-23540	METAL SIDE	2			0.022	STD
210	19202-23970	METAL SIDE	2			0.022	+0.20mm
210	19202-23980	METAL SIDE	2			0.022	+0.40mm

PISTON AND CRANKSHAFT

Ref	Part Number	Part Name	Qty	IC	S/N	Lbs	Remarks
220	1G069-21775	KIT PISTON-RING	3			1.43	STD
220	1G069-21794	KIT PISTON-RING	3			0.143	+0.50mm
230	1G069-23776	KIT METAL ENGINE	1			0.761	-0.40mm/+0.40mm
230	1G069-23755	KIT METAL ENGINE	1			0.704	STD
230	1G069-23766	KIT METAL ENGINE	1			0.712	-0.20mm/+0.20mm

Silverhorn.CO.UK

FLYWHEEL



1G062-007-10

FLYWHEEL

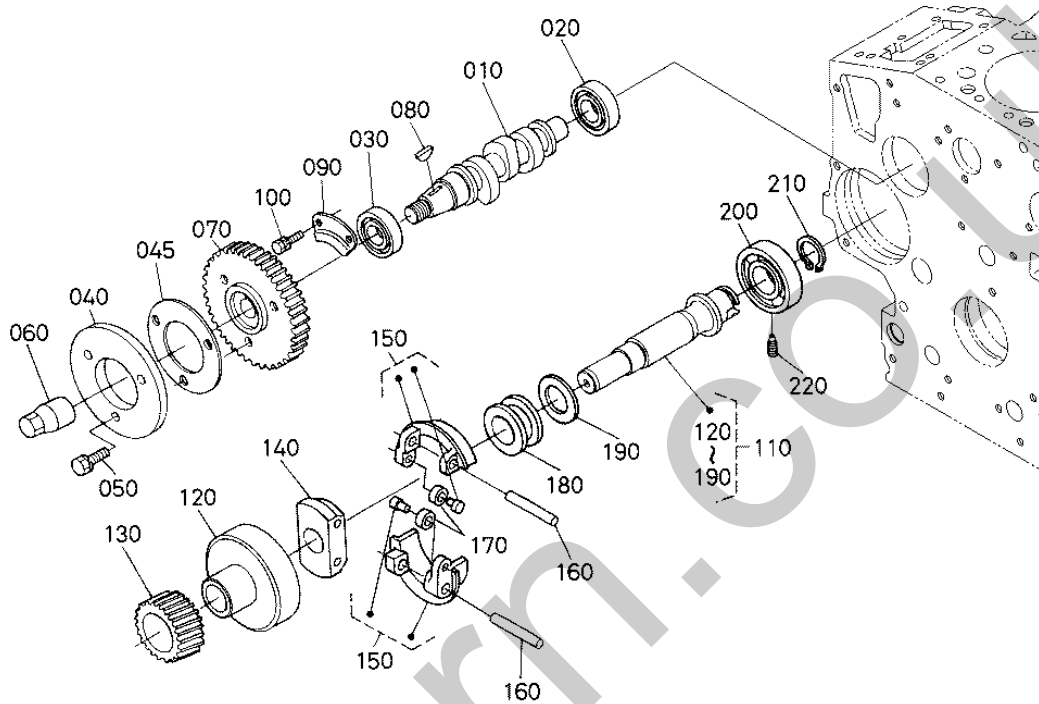
Ref	Part Number	Part Name	Qty	IC	S/N	Lbs	Remarks
010	16261-25015	COMP.FLYWHEEL	1			37.84	
020	1G061-63820	GEAR RING	1			1.738	
030	66621-14120	BEARING DRY	1			0.013	
040	16271-25160	BOLT FLYWHEEL	6			0.079	
050	6C200-13412	PLATE	1			5.632	
060	01123-60816	BOLT	6			0.022	
070	05012-00814	PIN STRAIGHT	3			0.013	

FLYWHEEL

Ref	Part Number	Part Name	Qty	IC	S/N	Lbs	Remarks
080	6C040-58912	PLATE REAR END	1			8.008	
090	15261-91190	BOLT	8			0.066	
100	05012-00814	PIN STRAIGHT	1			0.013	

Silverhorn.CO.UK

FUEL CAMSHAFT AND GOVERNOR SHAFT



16043-017-11

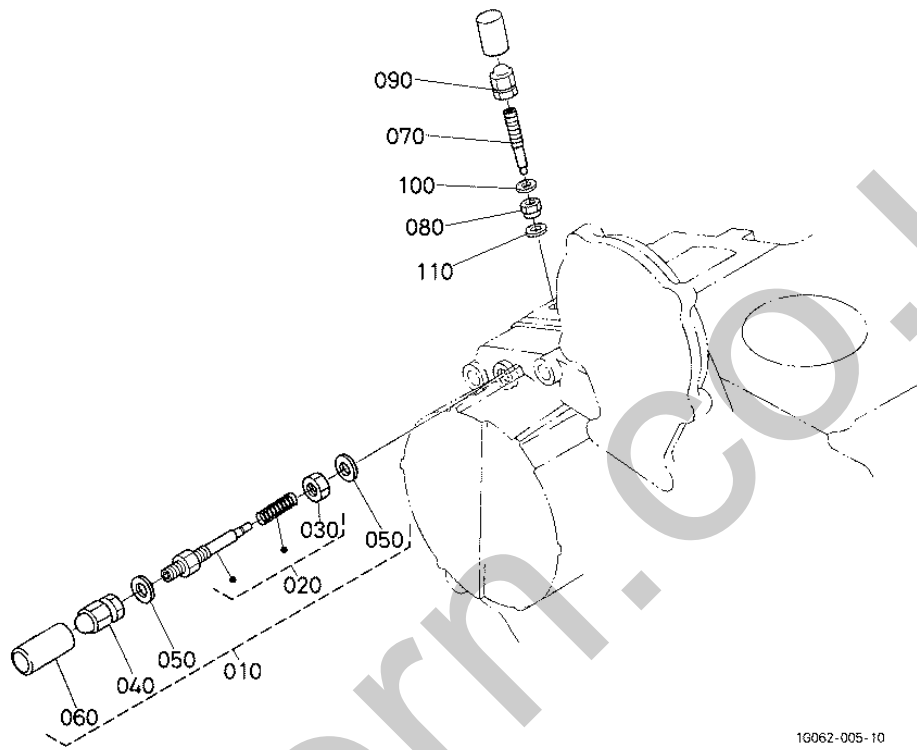
FUEL CAMSHAFT AND GOVERNOR SHAFT

Ref	Part Number	Part Name	Qty	IC	S/N	Lbs	Remarks
010	16020-16170	CAMSHAFT FUEL	1			0.836	
020	16261-97300	BEARING BALL	1			0.096	
030	08153-06204	BEARING BALL	1			0.242	
040	16241-51113	CAM FUEL	1			0.431	
045	16241-51190	WASHER	1			0.063	
050	01023-50618	BOLT	3			0.013	
060	16241-92330	NUT	1			0.077	

FUEL CAMSHAFT AND GOVERNOR SHAFT

Ref	Part Number	Part Name	Qty	IC	S/N	Lbs	Remarks
070	16272-51150	GEAR INJECTION PUMP	1			1.078	
080	16241-95230	KEY WOODRUFF	1			0.002	
090	16241-16320	STOPPER FUEL.C/SHAFT	1			0.088	
100	01023-50616	BOLT	2			0.011	
110	16261-55013	ASSY SHAFT GOVERNOR	1			2.42	
120	16241-55392	HOLDER GOVERNOR GEAR	1			0.748	
130	16271-55320	GEAR GOVERNOR	1			0.319	
140	16241-55270	HOLDER GOV.WEIGHT	1			0.187	
150	16271-55060	COMP.WEIGHT GOVERNOR	2			0.147	
160	16241-55260	SHAFT GOV. WEIGHT	2			0.028	
170	19484-55440	ROLLER	2			0.011	
180	16241-55450	SLEEVE GOVERNOR	1			0.088	
190	16241-55463	WASHER THRUST	1			0.011	
200	16261-97320	BEARING BALL	1			0.308	
210	16271-55410	CIR CLIP GOV.SHAFT	1			0.011	
220	16241-55554	SCREW SET	1			0.015	

IDLE APPARATUS



16062-005-10

IDLE APPARATUS

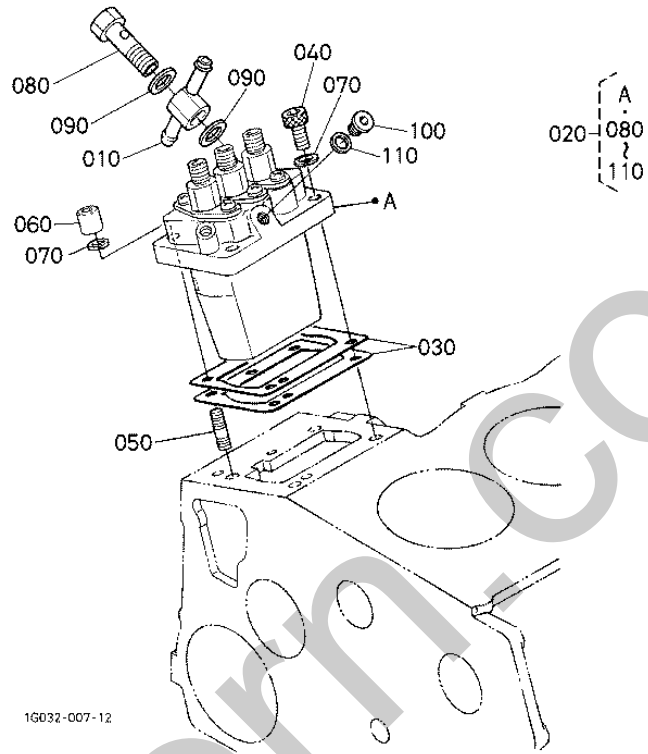
Ref	Part Number	Part Name	Qty	IC	S/N	Lbs	Remarks
010	16271-54093	APPARATUS IDLING	1			0.063	
020	16241-54103	ASSY BOLT ADJUSTMENT	1			0.017	
030	15841-92020	NUT	1			0.008	
040	15852-92330	NUT	1			0.011	
050	15601-96650	GASKET	2			0.002	
060	16221-54420	CAP	1			0.002	
070	16241-54122	BOLT ADJUSTING	1			0.011	

IDLE APPARATUS

Ref	Part Number	Part Name	Qty	IC	S/N	Lbs	Remarks
080	1G031-54210	NUT LOCK	1			0.006	
090	15852-92330	NUT	1			0.011	
100	15601-96650	GASKET	1			0.002	
110	1G021-96650	GASKET	1			0.002	

Silverhorn.CO.UK

INJECTION PUMP



INJECTION PUMP

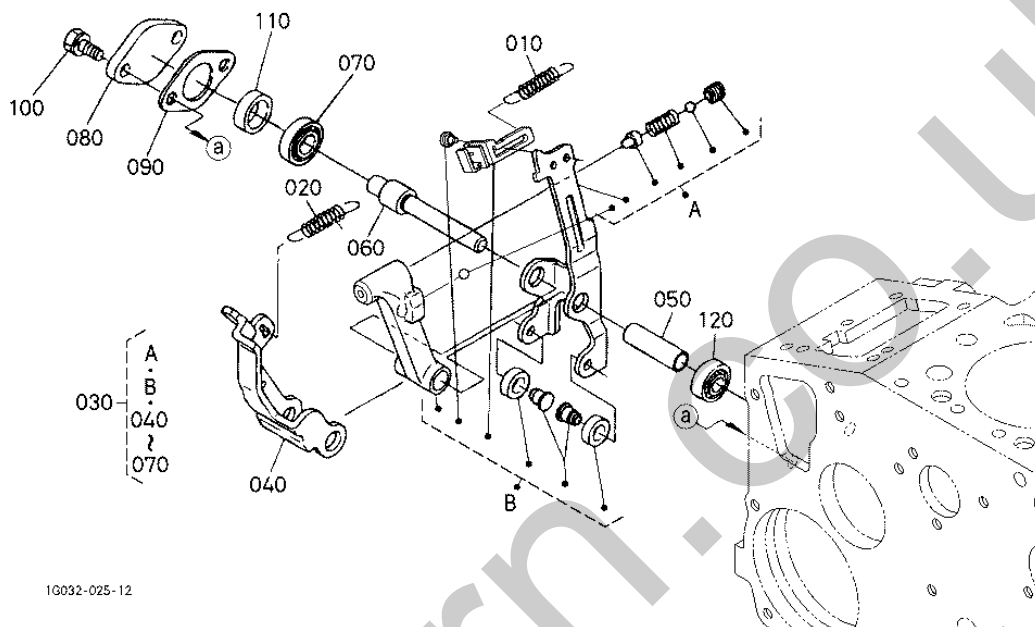
Ref	Part Number	Part Name	Qty	IC	S/N	Lbs	Remarks
010	16271-95690	JOINT EYE	1			0.101	
020	16032-51010	ASSY PUMP INJECTION	1			2.2	
030	16006-52122	SHIM INJECTION PUMP	1			0.013	0.300mm
030	16006-52112	SHIM INJECTION PUMP	1			0.008	0.250mm
030	16006-52092	SHIM INJECTION PUMP	1			0.008	0.200mm
030	1G700-52200	SHIM INJECTION PUMP	1			0.011	0.175mm
040	01311-10620	BOLT HEX-SOC-HD	2			0.026	

INJECTION PUMP

Ref	Part Number	Part Name	Qty	IC	S/N	Lbs	Remarks
050	15841-91500	STUD	2			0.044	
060	15841-92320	NUT	2			0.022	
070	04512-60060	WASHER SPRING	4			0.002	
080	16271-51320	SCREW HOLLOW	1			0.068	
090	15841-96650	GASKET	2			0.002	
100	16030-96010	PLUG	1			0.017	
110	15861-96650	GASKET	1			0.002	

Silverhorn.CO.UK

GOVERNOR



1G032-025-12

GOVERNOR

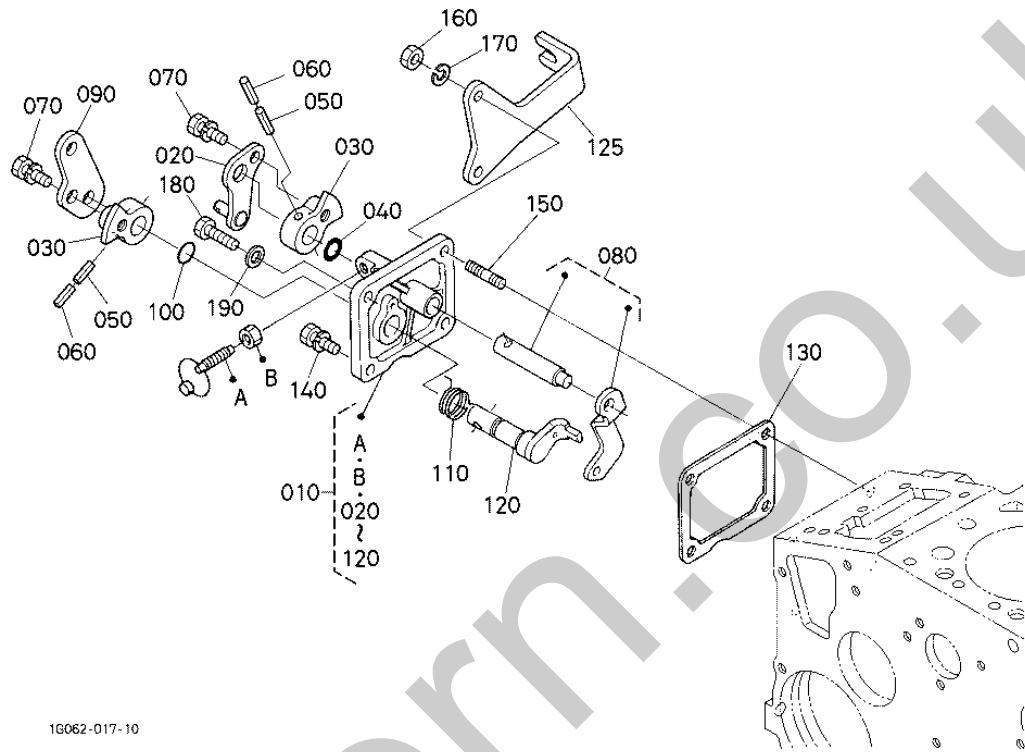
Ref	Part Number	Part Name	Qty	IC	S/N	Lbs	Remarks
010	17455-56480	SPRING START	1			0.002	
020	16285-56412	SPRING GOVERNOR	1			0.048	
030	1G062-56010	ASSY LEVER FORK	1			0.55	
040	1G032-56130	LEVER FORK	1			0.176	
050	1G032-56150	SHAFT FORK LEVER	1			0.015	
060	1G032-56470	SHAFT FORK LEVER	1			0.088	
070	16241-56330	BEARING MINIATURIZE	1			0.015	

GOVERNOR

Ref	Part Number	Part Name	Qty	IC	S/N	Lbs	Remarks
080	16241-56253	COVER FORK LEV.SHAFT	1			0.055	
090	16299-56260	GASKET	1			0.004	
100	01023-50612	BOLT	2			0.011	
110	16241-56210	COLLAR	1			0.017	
120	16241-56340	BEARING MINIATURIZE	1			0.015	

Silverhorn.CO.UK

SPEED CONTROL PLATE



1G062-017-10

SPEED CONTROL PLATE

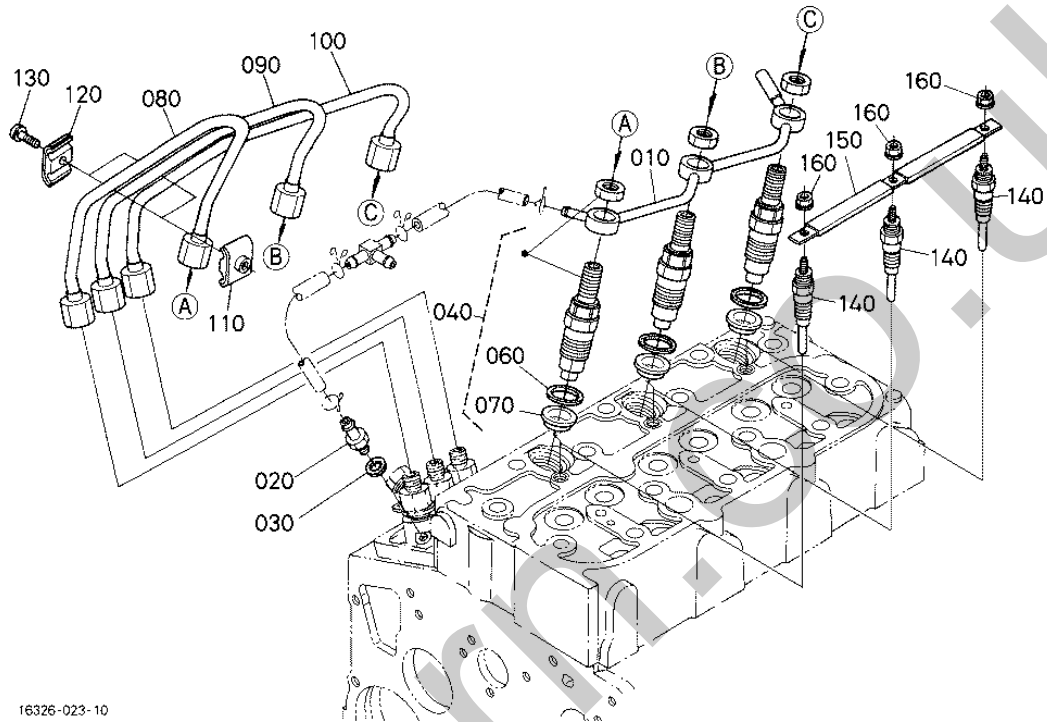
Ref	Part Number	Part Name	Qty	IC	S/N	Lbs	Remarks
010	1G062-57010	ASSY PLATE CONTROL	1			0.66	
020	1G062-57150	LEVER SPEED CONTROL	1			0.044	
030	16205-57162	LEVER SPEED CONTROL	2			0	
040	04814-00100	O RING	1			0.002	
050	05411-00420	PIN SPRING	2			0.002	
060	05411-02520	PIN SPRING	2			0.002	
070	01023-50612	BOLT	2			0.011	

SPEED CONTROL PLATE

Ref	Part Number	Part Name	Qty	IC	S/N	Lbs	Remarks
080	16205-56020	COMP.LEVER GOVERNOR	1			0.044	
090	16205-57720	LEVER ENGINE STOP	1			0.044	
100	04814-10070	O RING	1			0.002	
110	16205-57510	SPRING RETURN	1			0.004	
120	16205-57740	COMP.LEVER STOP	1			0.101	
125	32741-32140	STAY ACCEL WIRE	1			0	
130	16264-57210	GASKET	1			0.004	
140	01023-50616	BOLT	1			0.011	
150	16245-91540	STUD	2			0.011	
160	02056-50060	NUT	2			0.004	
170	04512-60060	WASHER SPRING	2			0.002	
180	01053-50618	BOLT	1			0.013	
190	15601-96650	GASKET	1			0.002	

Silverhorn.co.uk

NOZZLE HOLDER AND GLOW PLUG



16326-023-10

NOZZLE HOLDER AND GLOW PLUG

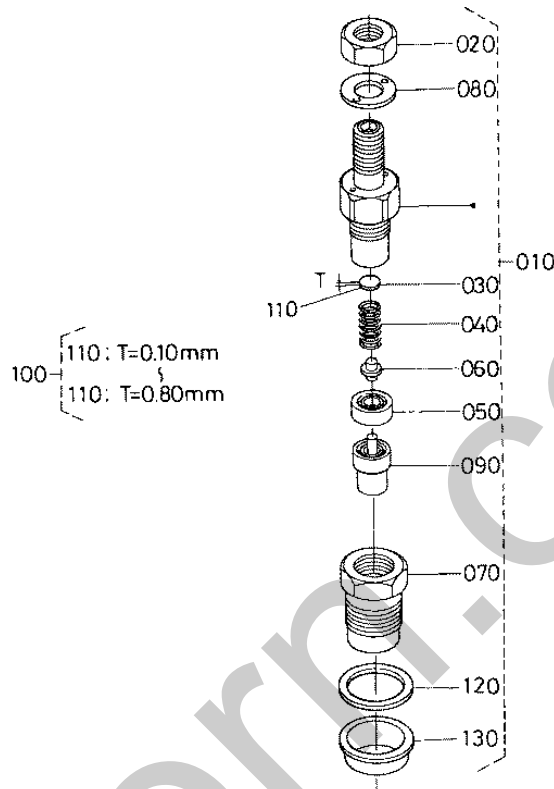
Ref	Part Number	Part Name	Qty	IC	S/N	Lbs	Remarks
010	16261-42502	ASSY PIPE OVER FLOW	1			0.088	
020	15841-51360	SCREW AIR BLEEDER	1			0.017	
030	15601-96650	GASKET	1			0.002	
040	1G065-53900	KIT HOLDER NOZZLE	3			0.332	
060	15841-53622	GASKET	3			0.004	
070	19077-53650	SEAL HEAT	3			0.011	
080	16231-53712	PIPE INJECTION	1			0.264	

NOZZLE HOLDER AND GLOW PLUG

Ref	Part Number	Part Name	Qty	IC	S/N	Lbs	Remarks
090	16231-53722	PIPE INJECTION	1			0.264	
100	16231-53732	PIPE INJECTION	1			0.264	
110	15841-53850	CLAMP PIPE	2			0.022	
120	15841-53860	CLAMP PIPE	2			0.019	
130	03024-50520	SCREW WITH WASHER	2			0.008	
140	16851-65512	GLOW PLUG	3			0.022	
150	16261-65560	CORD GLOW PLUG	1			0.022	
160	02761-50040	NUT FLANGE	3			0.004	

Silverhorn.CO.UK

NOZZLE HOLDER [COMPONENT PARTS]



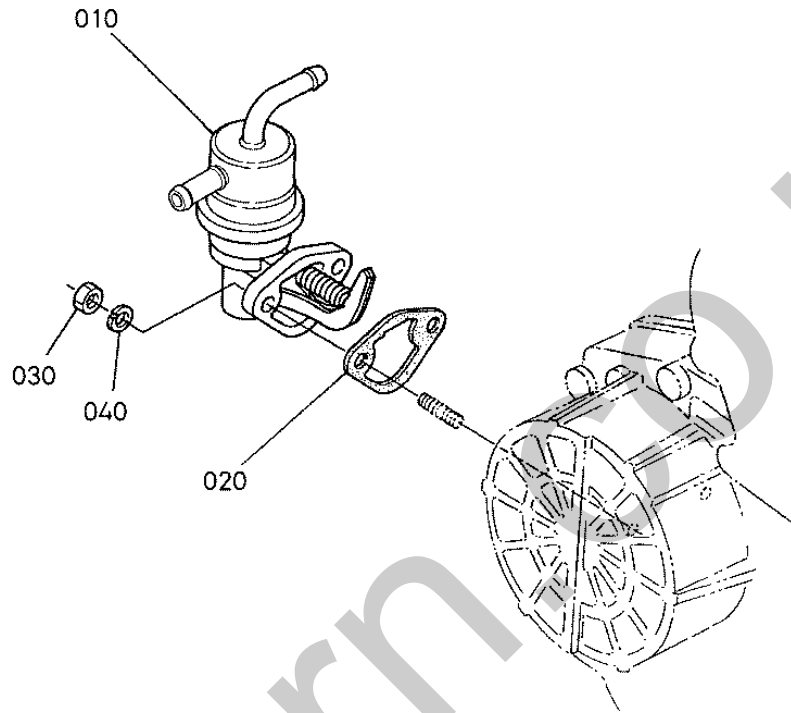
NOZZLE HOLDER [COMPONENT PARTS]

Ref	Part Number	Part Name	Qty	IC	S/N	Lbs	Remarks
010	1G065-53900	KIT HOLDER NOZZLE	3			0.332	
020	16032-92030	NUT	3			0.015	
030	16032-53230	WASHER ADJUSTING	3			0.002	
040	16032-53170	SPRING NOZZLE	3			0.015	
050	16032-53350	SPACER DISTANCE	3			0.044	
060	16032-53160	PUSH ROD	3			0.002	
070	16032-53280	NUT NOZZLE	3			0.081	

NOZZLE HOLDER [COMPONENT PARTS]

Ref	Part Number	Part Name	Qty	IC	S/N	Lbs	Remarks
080	16032-94040	WASHER PLAIN	3			0.004	
090	1G065-53610	PIECE NOZZLE	3			0.044	
100	16032-98100	ASSY WASHER ADJUST	3			0.035	OPTION
110	16032-98510	WASHER ADJUSTING	3			0.002	0.20mm
110	16032-98520	WASHER ADJUSTING	3			0.002	0.30mm
110	16032-98530	WASHER ADJUSTING	3			0.002	0.40mm
110	16032-98540	WASHER ADJUSTING	3			0.002	0.50mm
110	16032-98550	WASHER ADJUSTING	3			0.002	0.52mm
110	16032-98560	WASHER ADJUSTING	3			0.002	0.54mm
110	16032-98570	WASHER ADJUSTING	3			0.002	0.56mm
110	16032-98580	WASHER ADJUSTING	3			0.002	0.58mm
110	16032-98590	WASHER ADJUSTING	3			0.002	0.80mm
110	16032-98500	WASHER ADJUSTING	3			0.002	0.10mm
120	15841-53622	GASKET	3			0.004	
130	19077-53650	SEAL HEAT	3			0.011	

FUEL PUMP(MECHANICAL)

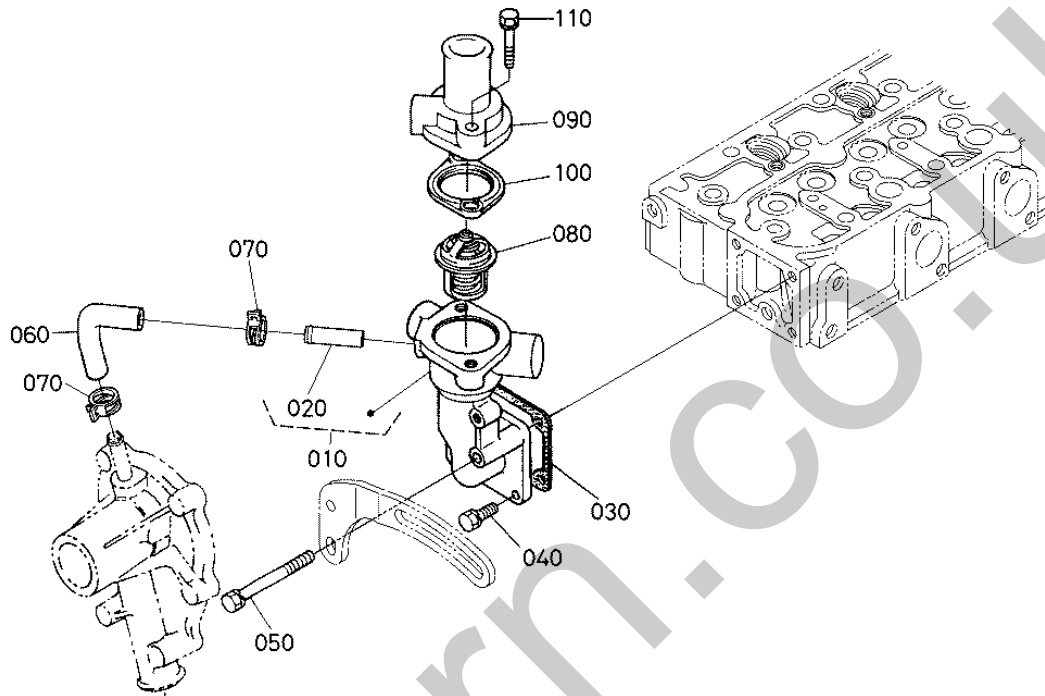


1G062-021-10

FUEL PUMP(MECHANICAL)

Ref	Part Number	Part Name	Qty	IC	S/N	Lbs	Remarks
010	16271-52032	ASSY PUMP FUEL	1			0.286	
020	16264-52140	GASKET FUEL PUMP	1			0.002	
030	02056-50060	NUT	2			0.004	
040	04512-60060	WASHER SPRING	2			0.002	

WATER FLANGE AND THERMOSTAT



1G062-020-10

WATER FLANGE AND THERMOSTAT

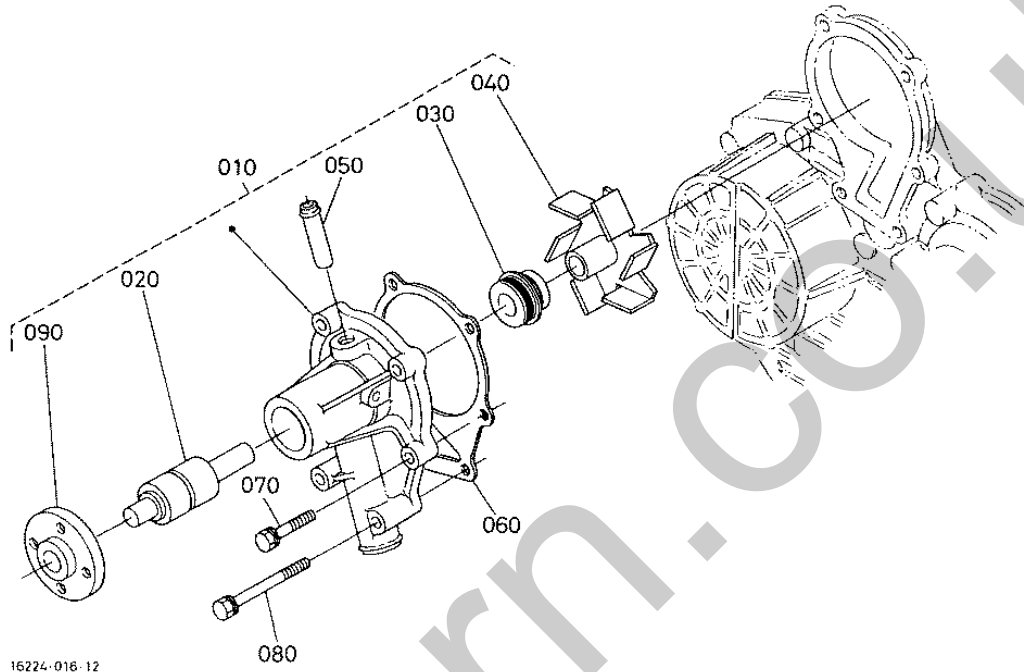
Ref	Part Number	Part Name	Qty	IC	S/N	Lbs	Remarks
010	16203-72700	COMP.FLANGE WATER	1			0.55	
020	16241-73370	PIPE WATER RETURN	1			0.015	
030	16264-72920	GASKET WATER FLANGE	1			0.002	
040	01023-50616	BOLT	3			0.011	
050	01023-50655	BOLT	1			0.026	
060	16241-73350	PIPE WATER RETURN	1			0.033	
070	16241-73360	BAND PIPE	2			0.006	

WATER FLANGE AND THERMOSTAT

Ref	Part Number	Part Name	Qty	IC	S/N	Lbs	Remarks
080	15321-73014	ASSY THERMOSTAT	1			0.154	
090	16219-73260	COVER THERMOSTAT	1			0.217	
100	16221-73270	GASKET THERMOSTAT	1			0.002	
110	01123-50835	BOLT	2			0.044	

Silverhorn.CO.UK

WATER PUMP



WATER PUMP

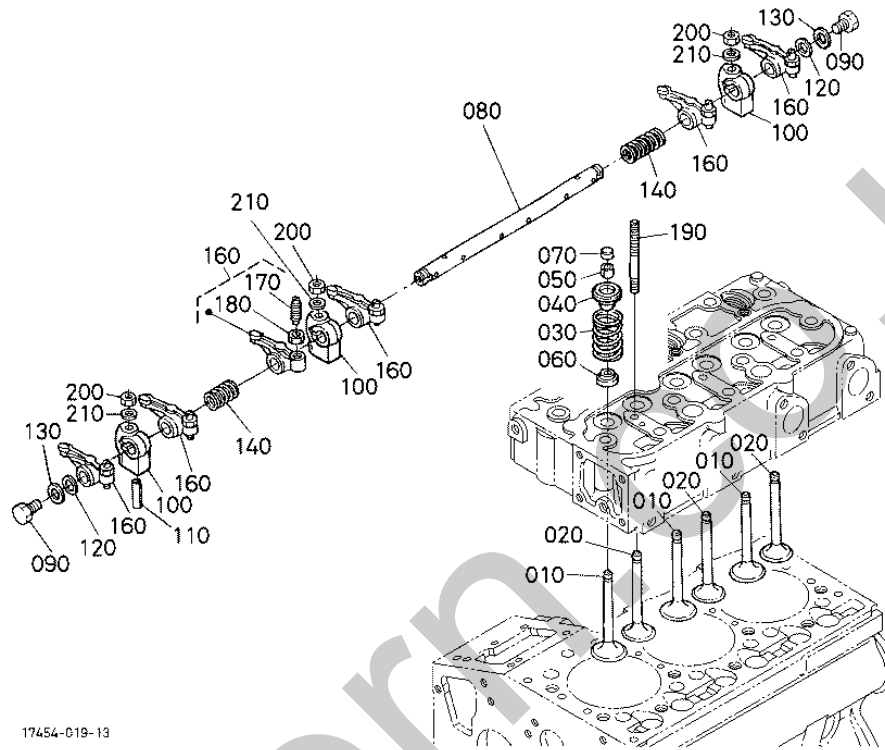
Ref	Part Number	Part Name	Qty	IC	S/N	Lbs	Remarks
010	16251-73034	ASSY PUMP WATER	1			1.76	
020	16259-73552	BEARING	1			0.462	
030	1G642-73050	ASSY SEAL MECHANICAL	1			0.066	
040	16259-73512	IMPELLER WATER PUMP	1			0.198	
050	16241-73370	PIPE WATER RETURN	1			0.015	
060	16239-73430	GASKET WATER PUMP	1			0.015	
070	01023-50630	BOLT	4			0.017	

WATER PUMP

Ref	Part Number	Part Name	Qty	IC	S/N	Lbs	Remarks
080	01023-50685	BOLT	2			0.039	
090	16259-73520	FLANGE WATER PUMP	1			0.33	

Silverhorn.CO.UK

VALVE AND ROCKER ARM



17454-019-13

VALVE AND ROCKER ARM

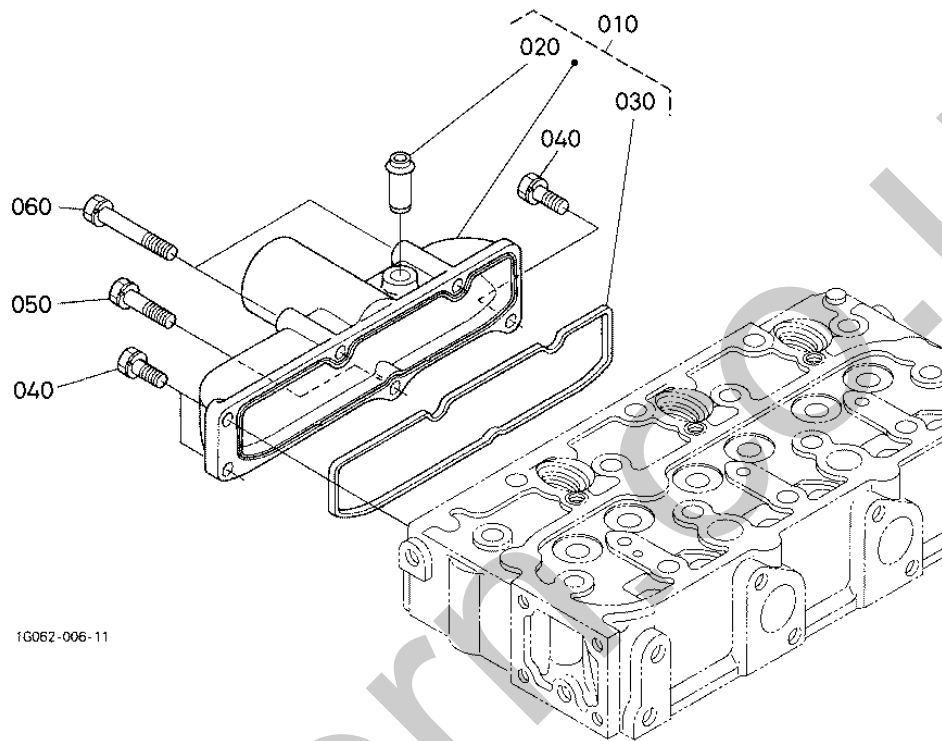
Ref	Part Number	Part Name	Qty	IC	S/N	Lbs	Remarks
010	16241-13115	VALVE INLET	3			0.011	
020	16241-13126	VALVE EXHAUST	3			0.099	
030	16271-13240	SPRING VALVE	6			0.033	
040	16261-13330	RETAINER SPRING	6			0.035	
050	15261-13360	COLLET VALVE SPRING	6			0.002	SET
060	1C010-13150	SEAL VALVE STEM	6			0.004	
070	16241-13280	CAP VALVE	6			0.011	

VALVE AND ROCKER ARM

Ref	Part Number	Part Name	Qty	IC	S/N	Lbs	Remarks
080	16261-14264	SHAFT ROCKER ARM	1			0.352	
090	01023-50610	BOLT	2			0.011	
100	16241-14350	BRACKET ROCKER ARM	3			0.088	
110	05411-00428	PIN SPRING	1			0.004	
120	16241-14430	WASHER R-ARM.SHAFT	2			0.004	
130	15841-94022	WASHER PLAIN	2			0.011	
140	16241-14310	SPRING ROCKER ARM	2			0.008	
160	16241-14032	ASSY ROCKER ARM	6			0.114	
170	16241-14230	SCREW ADJUSTING	6			0.017	
180	16241-14240	NUT	6			0.008	
190	16241-14410	STUD	3			0.048	
200	15261-92010	NUT	3			0.011	
210	15261-94010	WASHER PLAIN	3			0.004	

Silverhorn.co.uk

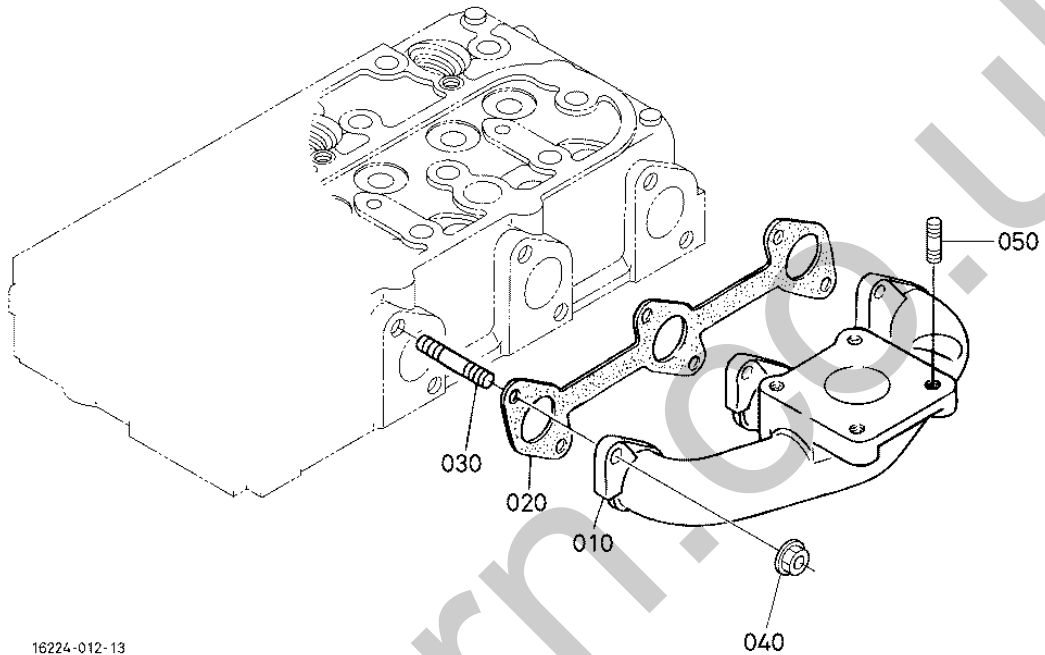
INLET MANIFOLD



INLET MANIFOLD

Ref	Part Number	Part Name	Qty	IC	S/N	Lbs	Remarks
010	17407-11770	ASSY MANIFOLD INLET	1			0.66	
020	16241-05550	JOINT BREATHER PIPE	1			0.044	
030	16261-11822	GASKET IN-MANIFOLD	1			0.022	
040	01023-50618	BOLT	3			0.013	
050	01023-50630	BOLT	1			0.017	
060	01023-60650	BOLT	2			0.033	

EXHAUST MANIFOLD

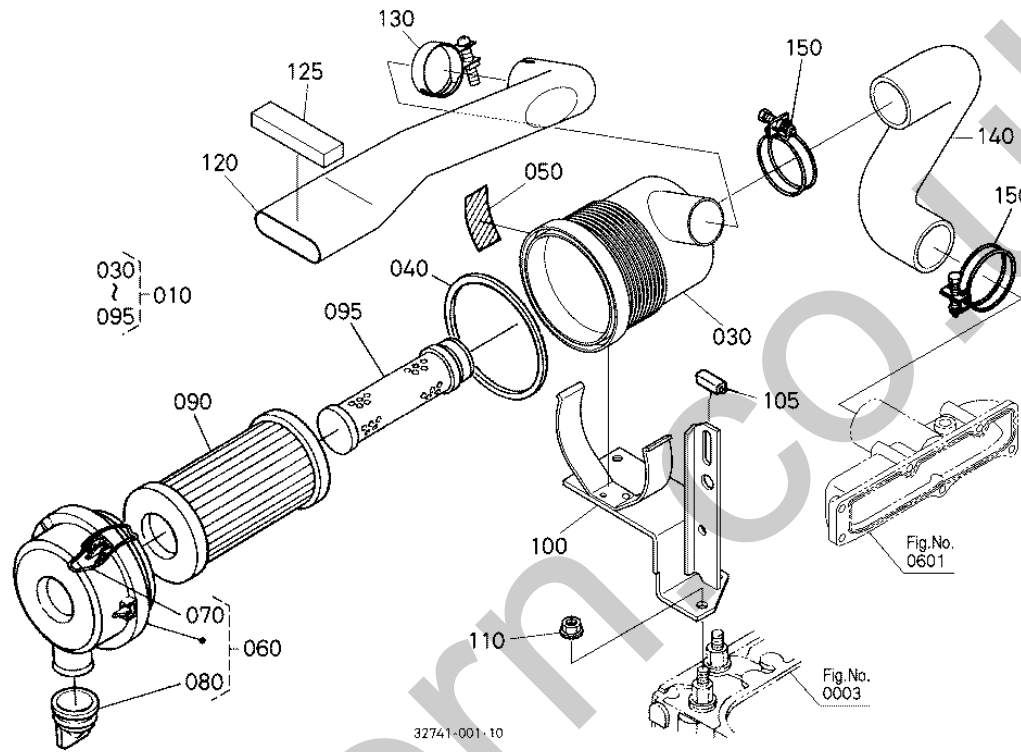


16224-012-13

EXHAUST MANIFOLD

Ref	Part Number	Part Name	Qty	IC	S/N	Lbs	Remarks
010	16265-12312	MANIFOLD EXHAUST	1			2.97	
020	16261-12350	GASKET EX-MANIFOLD	1			0.041	
030	16241-91490	STUD	6			0.011	
040	16271-92010	NUT	6			0.008	
050	01513-50818	STUD	4			0.019	

AIR CLEANER



AIR CLEANER

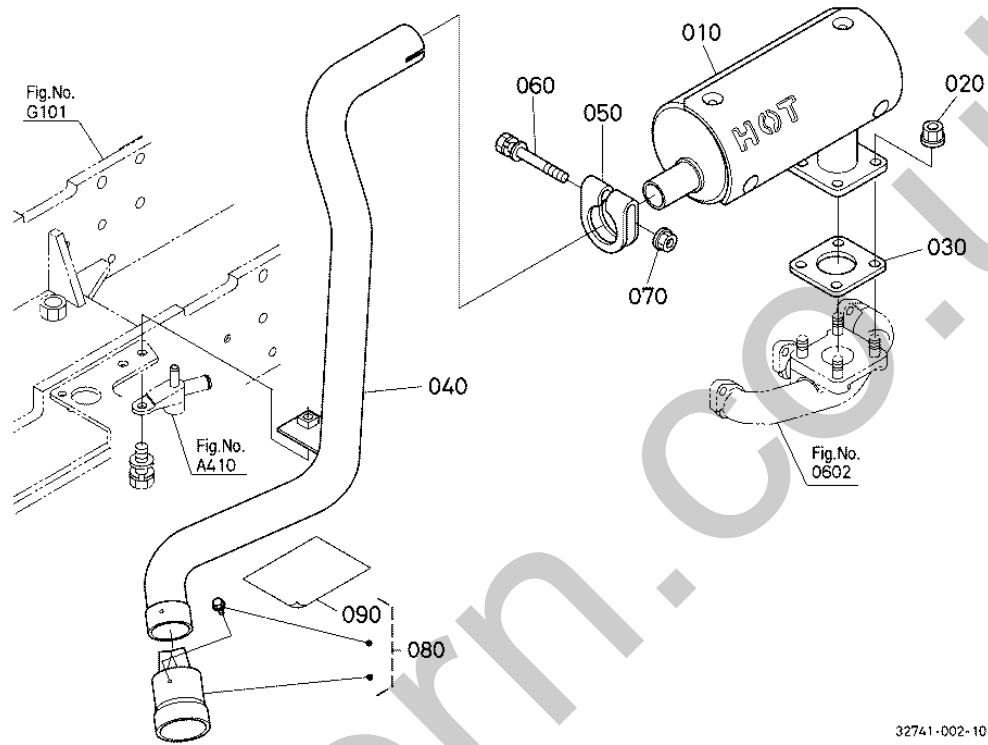
Ref	Part Number	Part Name	Qty	IC	S/N	Lbs	Remarks
010	6C095-58200	ASSY CLEANER AIR	1			1.452	
030	6A100-82520	BODY AIR CLEANER	1			0.506	
040	6A100-82530	GASKET	1			0.066	
050	32721-58282	LABEL CAUTION	1			0.002	
060	6A100-82550	ASSY COVER A/C	1			0.393	
070	6A100-82570	SPRING	2			0.011	
080	67980-82580	VALVE UNLOADER	1			0.024	

AIR CLEANER

Ref	Part Number	Part Name	Qty	IC	S/N	Lbs	Remarks
090	6C060-99410	ASSY ELEMENT	1			0.66	
095	32721-58242	ELEMENT INNER	1			0.22	
100	32741-58230	BRACKET AIR CLEANER	1			0	
105	6C070-58240	CUSHION	1			0.002	
110	02783-50100	NUT FLANGE	2			0.022	
120	6C200-58250	HOSE INLET	1			0.198	
125	32741-58290	TAPE	1			0	
130	15261-11720	BAND PIPE	1			0.066	
140	32741-58260	HOSE INLET	1			0	
150	67955-58260	BAND AIR CLEANER	2			0.061	

Silverhorn.co.uk

MUFFLER



32741-002-10

MUFFLER

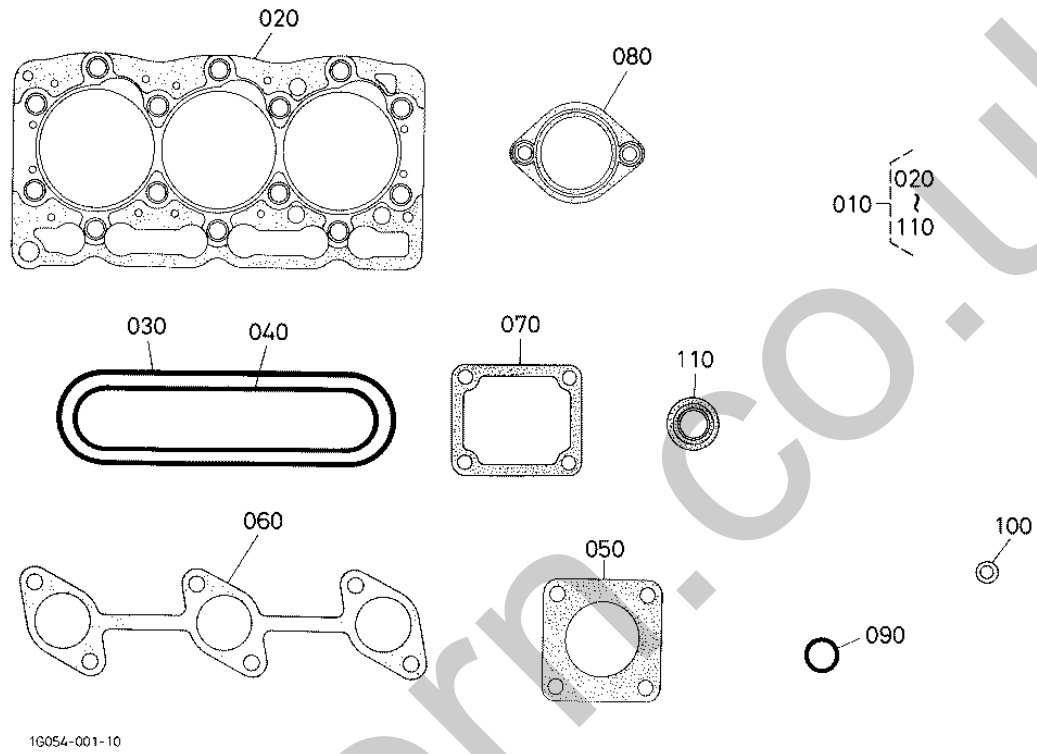
Ref	Part Number	Part Name	Qty	IC	S/N	Lbs	Remarks
010	6A320-58406	COMP.MUFFLER	1			4.334	
020	02121-50080	NUT	4			0.022	
030	15263-12370	GASKET MUFFLER NA	1			0.033	
040	32741-58423	PIPE EXHAUST	1			0	
050	15221-12433	CLAMP MUFFLER PIPE	1			0.11	
060	01125-50855	BOLT	1			0.055	
070	02121-50080	NUT	1			0.022	

MUFFLER

Ref	Part Number	Part Name	Qty	IC	S/N	Lbs	Remarks
080	K7561-98300	KIT ADAPTER	1			0	
090	99999-99999	MANUAL INSTALLATION	1			0	

Silverhorn.CO.UK

UPPER GASKET KIT



UPPER GASKET KIT

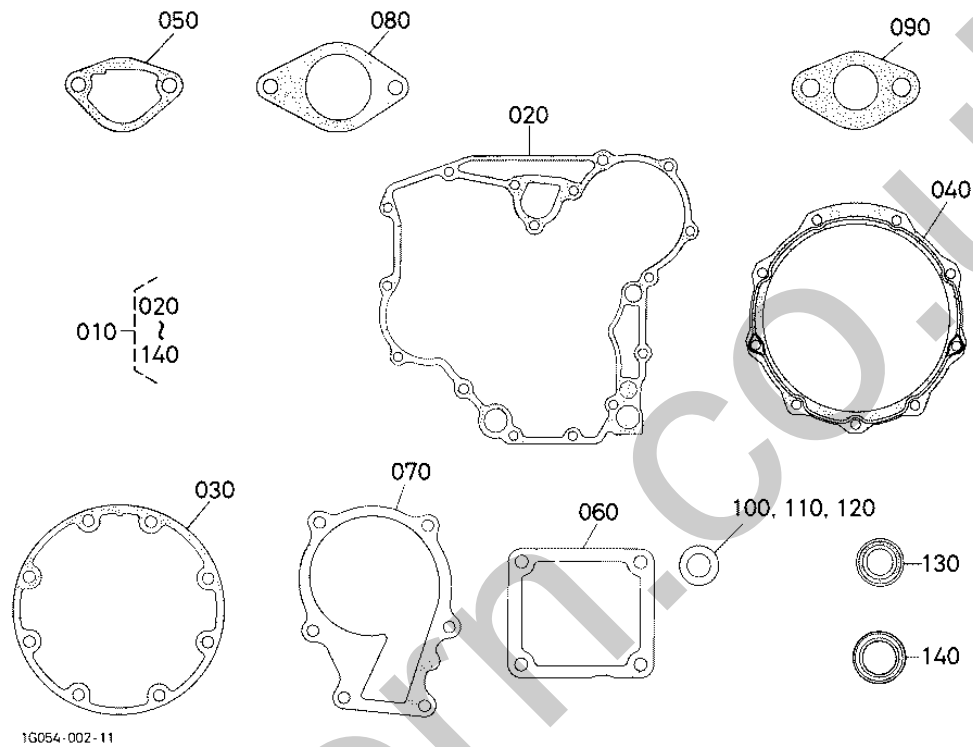
Ref	Part Number	Part Name	Qty	IC	S/N	Lbs	Remarks
010	1G062-99350	KIT GASKET UPPER	1			0.649	
020	1G063-03310	GASKET CYLINDER HEAD	1			0.352	
030	16261-14520	GASKET HEAD COVER	1			0.022	
040	16261-11822	GASKET IN-MANIFOLD	1			0.022	
050	15263-12370	GASKET MUFFLER NA	1			0.033	
060	16261-12350	GASKET EX-MANIFOLD	1			0.041	
070	16264-72920	GASKET WATER FLANGE	1			0.002	

UPPER GASKET KIT

Ref	Part Number	Part Name	Qty	IC	S/N	Lbs	Remarks
080	16221-73270	GASKET THERMOSTAT	1			0.002	
090	04814-50300	O RING	1			0.002	
100	15951-96660	GASKET	3			0.002	
110	1C010-13150	SEAL VALVE STEM	6			0.004	

Silverhorn.CO.UK

LOWER GASKET KIT



LOWER GASKET KIT

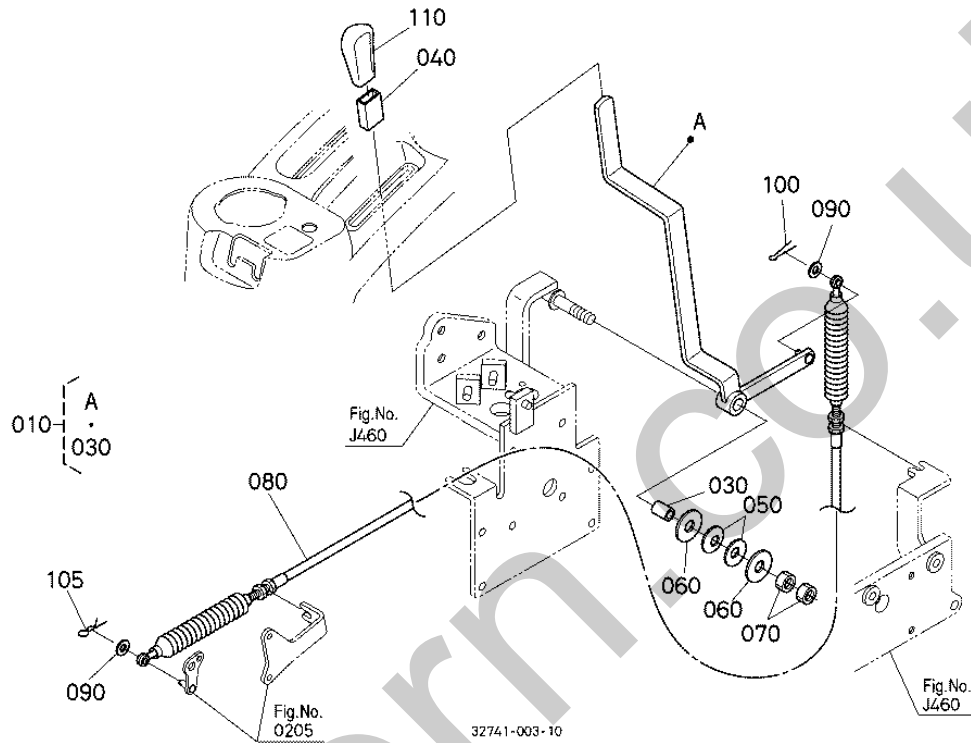
Ref	Part Number	Part Name	Qty	IC	S/N	Lbs	Remarks
010	1G062-99362	KIT GASKET LOWER	1			0.400	
020	16264-04130	GASKET GEAR CASE	1			0	
030	16264-04360	GASKET BRG.CASE	1			0.004	
040	16264-04822	GASKET CASE COVER	1			0.017	
050	16264-52140	GASKET FUEL PUMP	1			0.002	
060	16264-57210	GASKET	1			0.004	
070	16239-73430	GASKET WATER PUMP	1			0.015	

LOWER GASKET KIT

Ref	Part Number	Part Name	Qty	IC	S/N	Lbs	Remarks
080	16264-88130	GASKET H/METER UNIT	1			0.004	
090	16299-56260	GASKET	1			0.004	
100	15601-96650	GASKET	5			0.002	
110	6C090-58960	GASKET	2			0.004	
120	15841-53622	GASKET	3			0.004	
130	16241-04212	SEAL OIL	1			0.026	
140	16271-04460	SEAL OIL	1			0.088	

Silverhorn.CO.UK

ACCELERATOR LEVER



ACCELERATOR LEVER

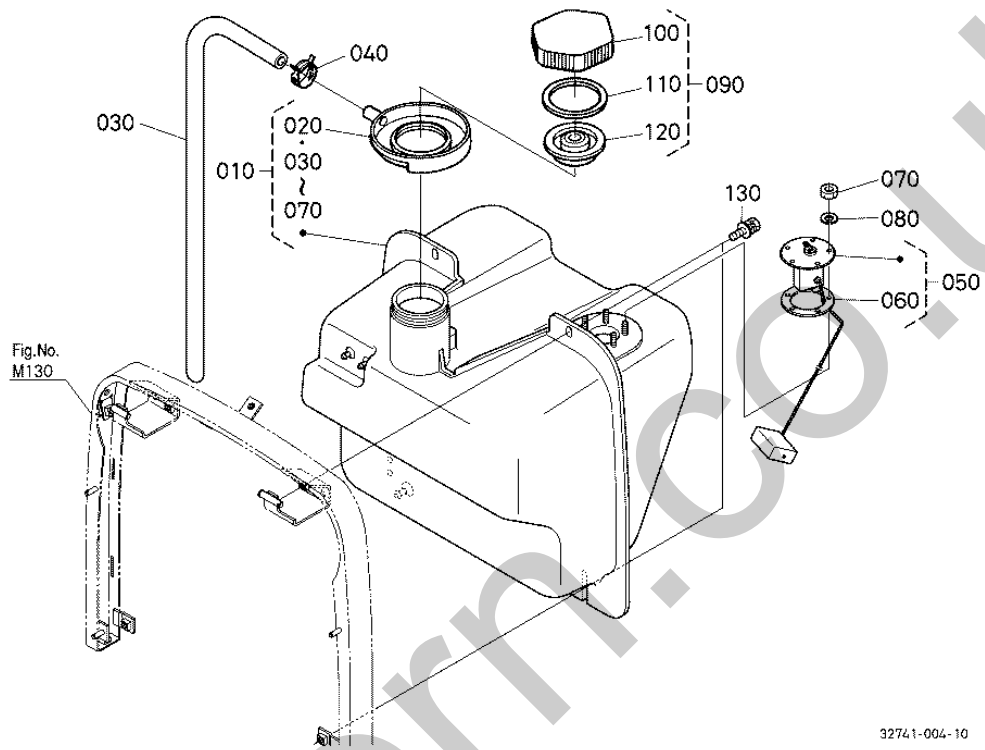
Ref	Part Number	Part Name	Qty	IC	S/N	Lbs	Remarks
010	32741-43304	ASSY LEVER ACCEL.	1			0	
030	08511-01220	BUSH	1			0.008	
040	6C040-42760	CUSHION	1			0.006	
050	69191-65950	SPRING PLATE	2			0.011	
060	04015-60120	WASHER PLAIN	2			0.048	
070	02174-50120	NUT	2			0.022	
080	32771-44730	WIRE ACCEL.	1			1.1	

ACCELERATOR LEVER

Ref	Part Number	Part Name	Qty	IC	S/N	Lbs	Remarks
090	04013-60060	WASHER PLAIN	2			0.002	
100	52300-34110	PIN SNAP	1			0.004	
105	52300-34110	PIN SNAP	1			0.004	
110	6A700-18352	GRIP	1			0.114	

Silverhorn.CO.UK

FUEL TANK



FUEL TANK

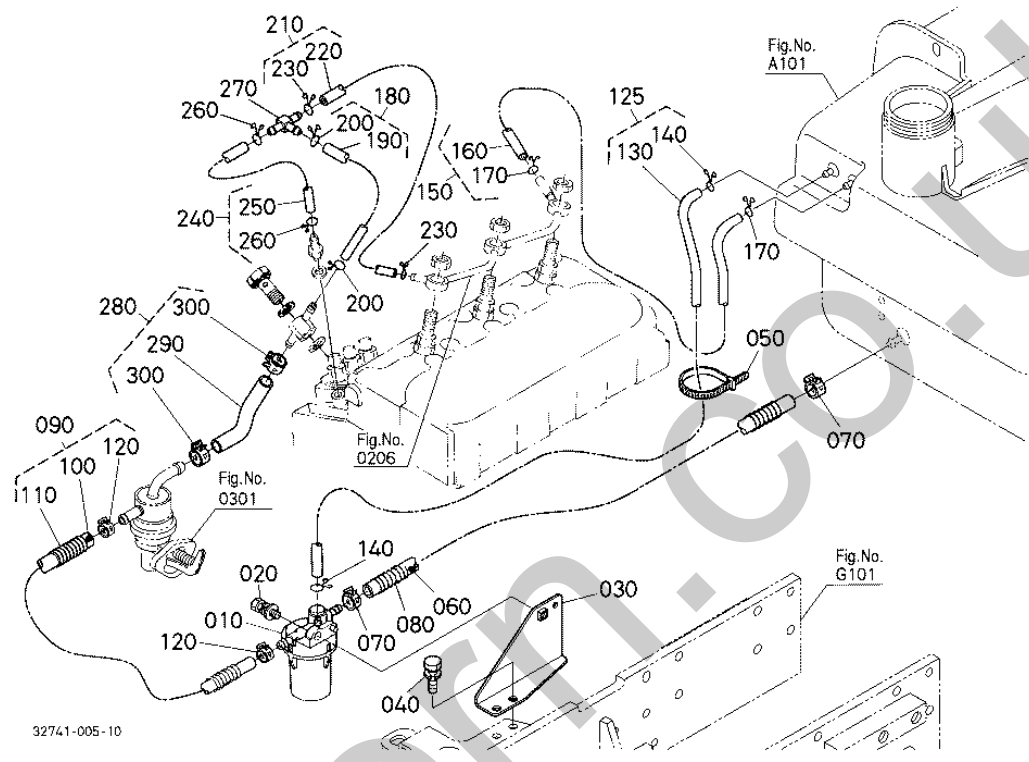
Ref	Part Number	Part Name	Qty	IC	S/N	Lbs	Remarks
010	32741-54700	ASSY TANK FUEL	1			7.436	
020	6C090-54740	TRAY FUEL	1			0.088	
030	32741-54760	PIPE	1			0	
040	09318-88185	CLAMP HOSE	1			0.008	
050	6C200-54750	GAUGE FUEL	1			0.308	
060	6A320-85812	GASKET GAUGE	1			0.011	
070	02054-50050	NUT	5			0.004	

FUEL TANK

Ref	Part Number	Part Name	Qty	IC	S/N	Lbs	Remarks
080	04512-60050	WASHER SPRING	5			0.004	
090	6A100-54910	ASSY CAP FUEL	1			0.231	
100	6A100-54920	CAP FUEL	1			0.090	
110	6A100-54942	SPACER	1			0.002	
120	6A100-54952	GASKET	1			0.044	
130	01127-50825	BOLT	4			0.022	

Silverhorn.CO.UK

FUEL PIPE



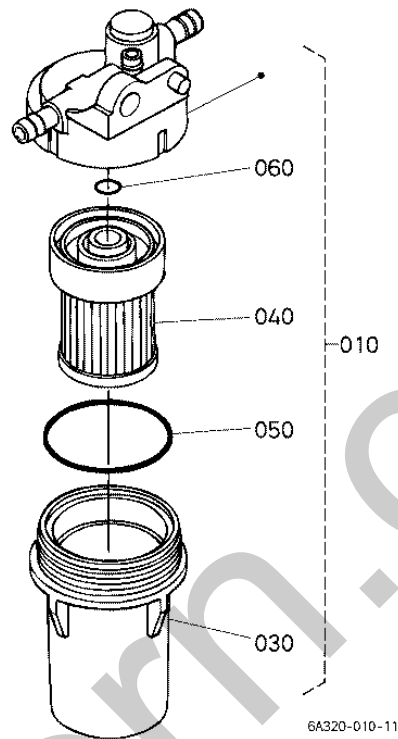
FUEL PIPE

Ref	Part Number	Part Name	Qty	IC	S/N	Lbs	Remarks
010	6A320-58862	ASSY FILTER FUEL	1			0.198	
020	01125-50825	BOLT	1			0.039	
030	32741-54880	STAY FUEL FILTER	1			0	
040	01123-60816	BOLT	2			0.022	
050	55311-41260	BAND CORD	1			0.015	
060	09661-70600	TUBE FUEL	1			0.154	
070	14911-42750	CLIP PIPE	2			0.004	

FUEL PIPE

Ref	Part Number	Part Name	Qty	IC	S/N	Lbs	Remarks
080	76630-53370	SPRING PIPE PROTECT.	1			0.037	
090	32741-59410	ASSY TUBE FUEL	1			0	
100	09661-70210	TUBE FUEL	1			0	
110	66591-54250	SPRING PIPE PROTECT.	1			0.022	
120	14911-42750	CLIP PIPE	2			0.004	
125	32741-59460	ASSY TUBE FUEL	1			0	
130	09661-40625	TUBE FUEL	1			0.066	
140	14971-42750	CLIP PIPE	2			0.002	
150	34670-35540	ASSY PIPE FUEL	1			0.055	
160	34670-35640	PIPE FUEL	1			0.044	
170	14971-42750	CLIP PIPE	2			0.002	
180	17208-42500	ASSY PIPE OVER FLOW	1			0.015	
190	15841-42520	PIPE FUEL OVER FLOW	1			0.013	
200	14971-42750	CLIP PIPE	2			0.002	
210	16282-42020	ASSY PIPE OVER FLOW	1			0.022	
220	09661-40040	TUBE FUEL	1			0.011	
230	14971-42750	CLIP PIPE	2			0.002	
240	17208-42030	ASSY PIPE OVER FLOW	1			0.013	
250	09661-40100	TUBE FUEL	1			0.013	
260	14971-42750	CLIP PIPE	2			0.002	
270	1G065-42360	JOINT T-PIPE	1			0.002	
280	16032-42010	ASSY TUBE FUEL	1			0.026	
290	09661-80075	TUBE FUEL	1			0.022	
300	14911-42750	CLIP PIPE	2			0.004	

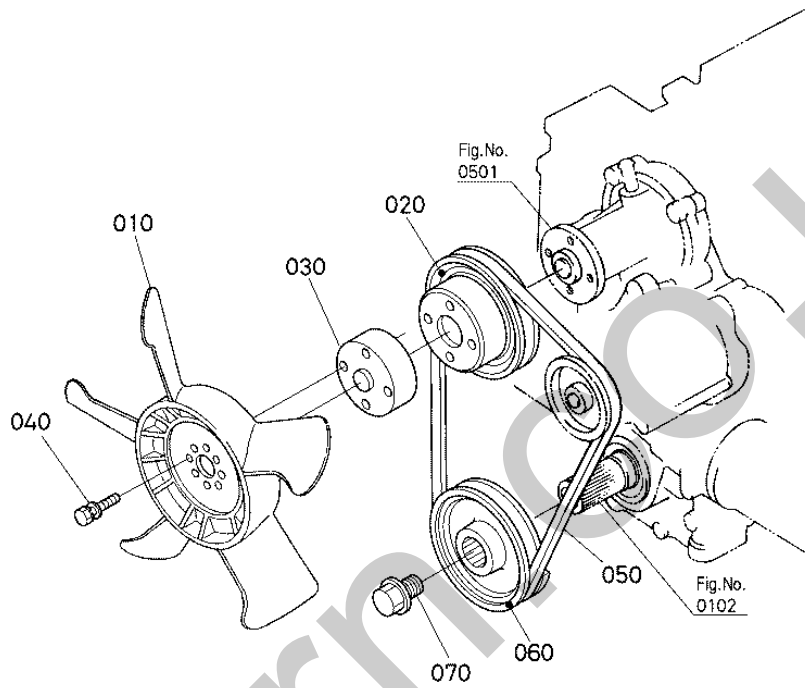
FUEL FILTER [COMPONENT PARTS]



FUEL FILTER [COMPONENT PARTS]

Ref	Part Number	Part Name	Qty	IC	S/N	Lbs	Remarks
010	6A320-58862	ASSY FILTER FUEL	1			0.198	
030	6A320-59920	CUP	1			0.066	
040	6A320-59930	FILTER	1			0.055	
050	6A320-59940	O-RING	1			0.002	
060	6A320-59950	O-RING	1			0.002	

FAN



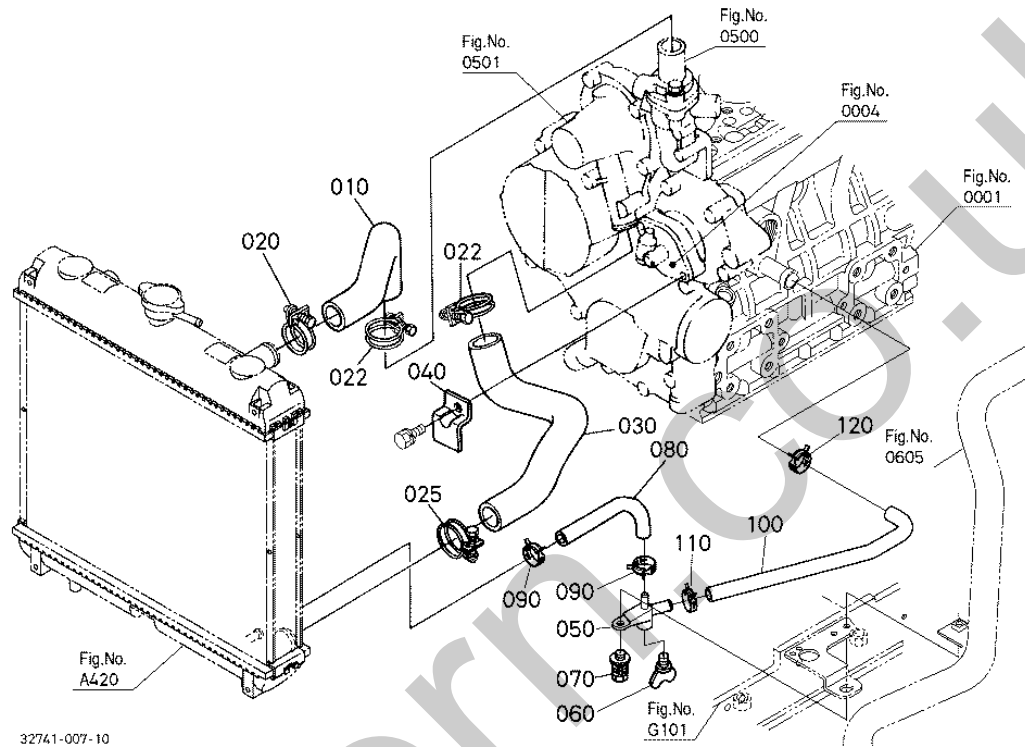
32741-006-10

FAN

Ref	Part Number	Part Name	Qty	IC	S/N	Lbs	Remarks
010	16264-74110	FAN	1			0.704	
020	16241-74250	PULLEY FAN	1			0.528	
030	17053-74150	COLLAR FAN	1			0.242	
040	01025-50635	BOLT	4			0.002	
050	16206-97010	BELT	1			0.154	
060	16261-74280	PULLEY FAN DRIVE	1			2.2	
070	16241-91020	BOLT FAN DRIVE	1			0.22	

Silverhorn.CO.UK

WATER PIPE



WATER PIPE

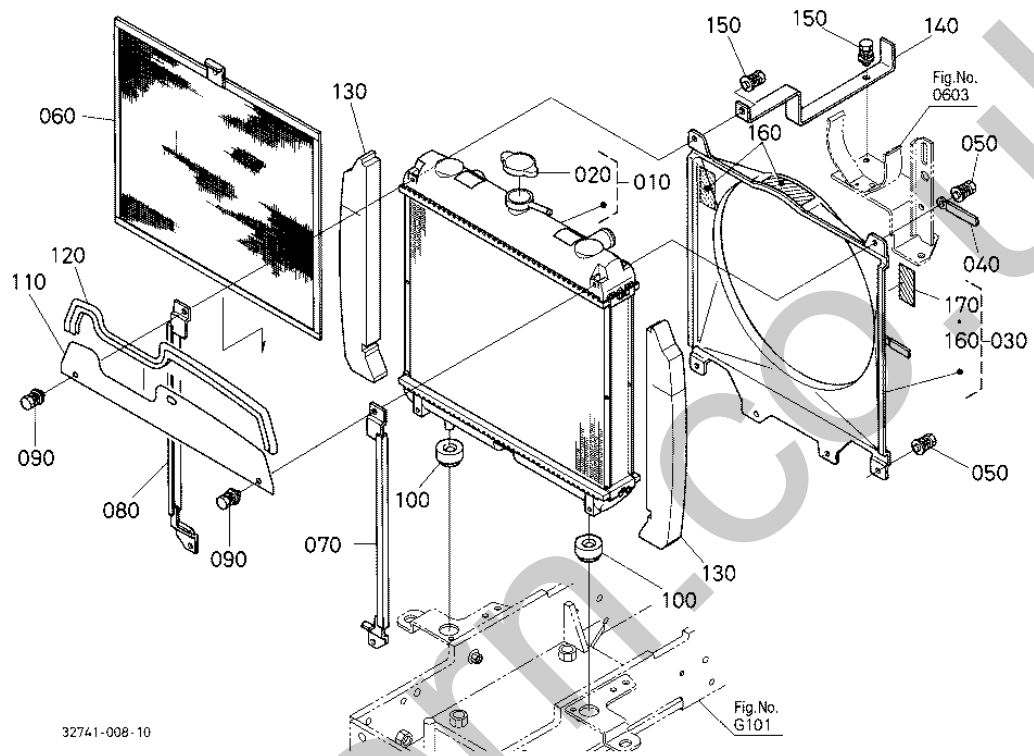
Ref	Part Number	Part Name	Qty	IC	S/N	Lbs	Remarks
010	6C070-58630	HOSE WATER	1			0.242	
020	67955-58630	CLAMP HOSE	1			0.055	
022	67955-58630	CLAMP HOSE	2			0.055	
025	67955-58630	CLAMP HOSE	1			0.055	
030	6C070-58570	HOSE WATER	1			0.385	
040	6C040-58640	CLAMP WATER HOSE	1			0.068	
050	6C040-58650	COCK	1			0.037	

WATER PIPE

Ref	Part Number	Part Name	Qty	IC	S/N	Lbs	Remarks
060	55364-82110	COCK DRAIN	1			0.011	
070	01125-50825	BOLT	1			0.039	
080	6C040-58680	HOSE DRAIN	1			0.050	
090	09318-88130	CLAMP HOSE	2			0.004	
100	6C070-58690	HOSE DRAIN	1			0.088	
110	6A671-58650	CLAMP HOSE	1			0.006	
120	6A671-58650	CLAMP HOSE	1			0.006	

Silverhorn.CO.UK

RADIATOR



RADIATOR

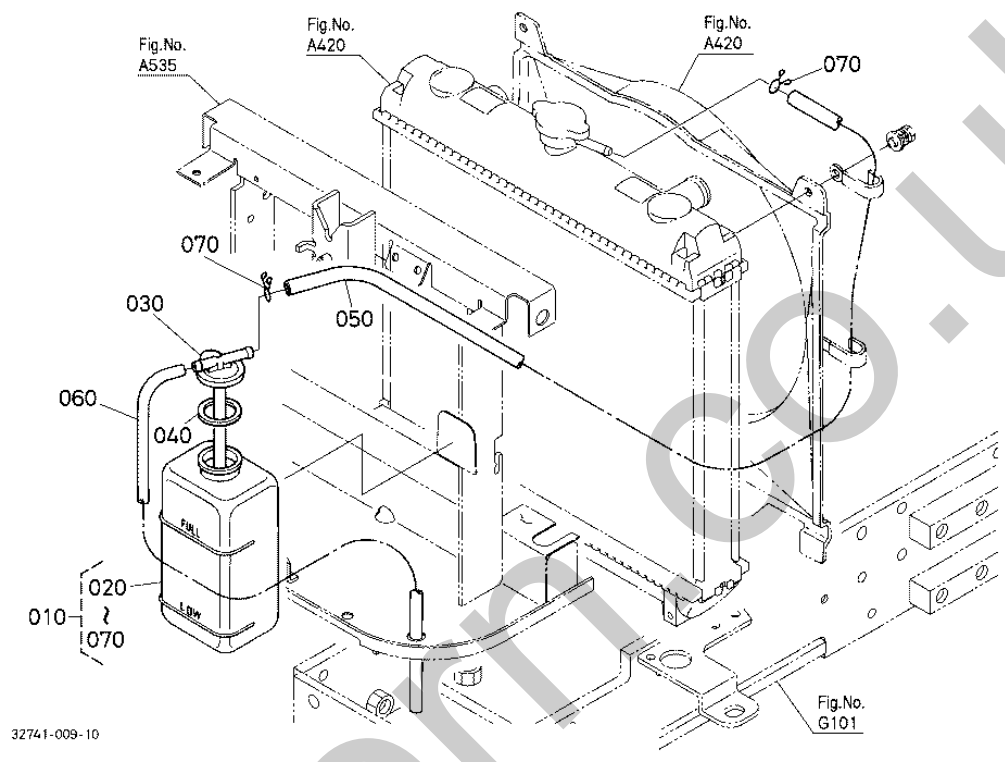
Ref	Part Number	Part Name	Qty	IC	S/N	Lbs	Remarks
010	6C170-58520	ASSY RADIATOR	1			7.7	
020	17214-72020	ASSY CAP RADIATOR	1			0.11	
030	6C040-58602	KIT SHROUD FAN	1			1.54	
040	15272-67590	CLAMP CORD	1			0.008	
050	01025-50612	BOLT	3			0.011	
060	6C040-58530	NET RADIATOR	1			0.55	
070	6C040-58543	GUIDE RADIATOR NET L	1			0.250	

RADIATOR

Ref	Part Number	Part Name	Qty	IC	S/N	Lbs	Remarks
080	6C040-58553	GUIDE RADIATOR NET R	1			0.250	
090	01025-50612	BOLT	4			0.011	
100	6C040-58580	CUSHION RADIATOR	2			0.046	
110	32741-58560	PLATE SHUTTER	1			0	
120	6A671-58580	TRIM	1			0.22	
130	32741-54450	TAPE RADIATOR	2			0	
140	6C070-58592	STAY RADIATOR 2	1			0.44	
150	01025-50616	BOLT	2			0.011	
160	32751-49580	LABEL FAN BELT	2			0.002	
170	TA040-49580	LABEL MUFFLER	1			0.002	

Silverhorn.co.uk

RESERVE TANK

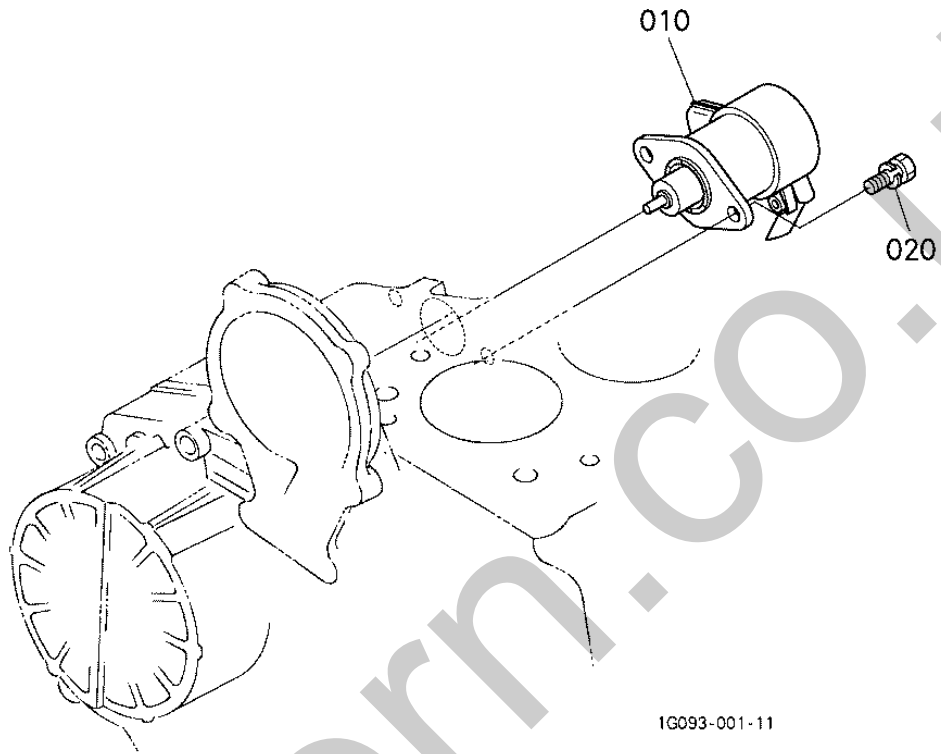


RESERVE TANK

Ref	Part Number	Part Name	Qty	IC	S/N	Lbs	Remarks
010	6C070-58800	ASSY TANK RESERVE	1			0.594	
020	15531-72410	BODY TANK	1			0.88	
030	15531-72422	CAP	1			0.002	
040	15531-72432	GASKET	1			0.004	
050	15471-72440	PIPE WATER OVER FLOW	1			0.11	
060	6C070-58850	PIPE WATER OVER FLOW	1			0.055	
070	15501-72470	CLIP PIPE	2			0.011	

Silverhorn.CO.UK

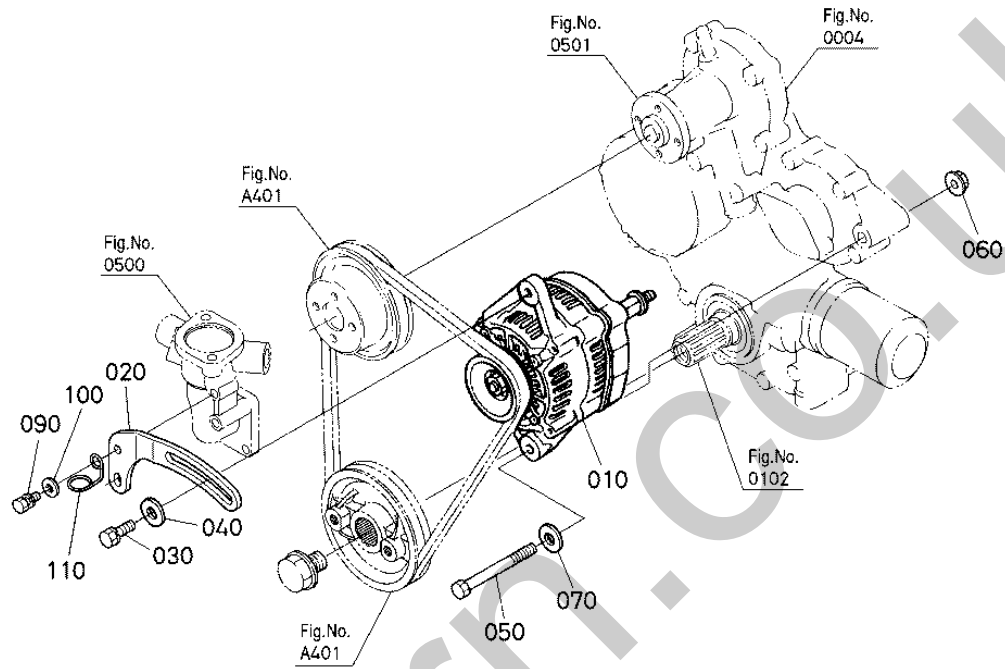
STOP SOLENOID



STOP SOLENOID

Ref	Part Number	Part Name	Qty	IC	S/N	Lbs	Remarks
010	32721-60012	SOLENOID STOP	1	>>	>=50033	0.616	
010	32721-60010	SOLENOID STOP	1		<=50032	0.616	
020	01202-50616	BOLT	2			0.013	

ALTERNATOR



32741-010-10

ALTERNATOR

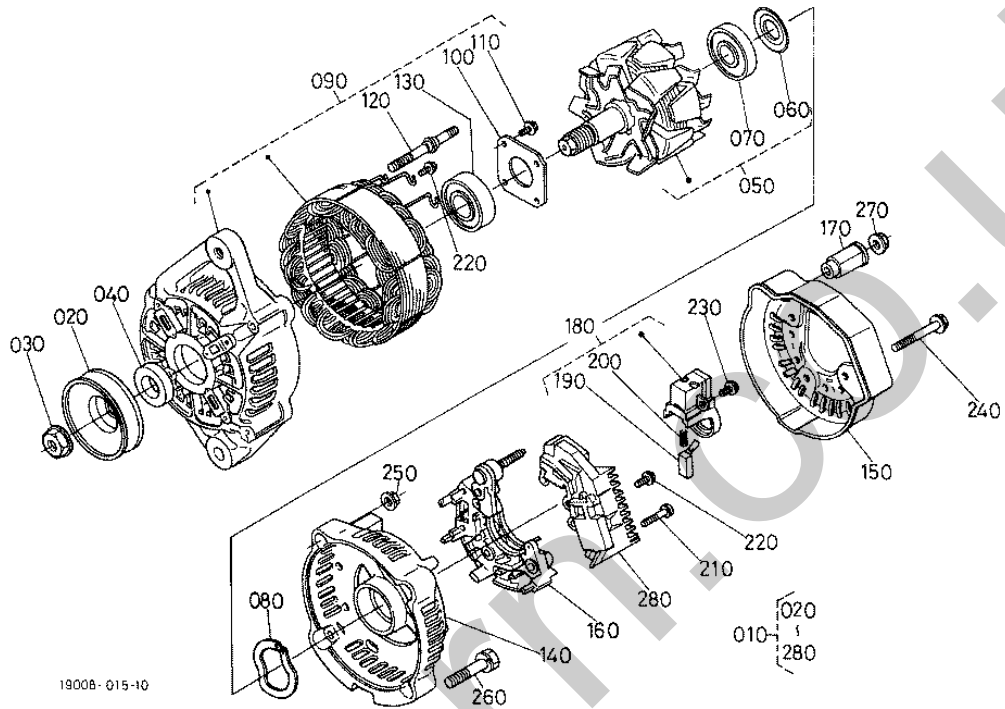
Ref	Part Number	Part Name	Qty	IC	S/N	Lbs	Remarks
010	16241-64012	ASSY ALTERNATOR	1			6.6	
020	16241-64422	STAY DYNAMO	1			0.209	
030	01123-50825	BOLT	1			0.028	
040	04015-60080	WASHER PLAIN	1			0.022	
050	01173-51090	BOLT	1			0.121	
060	02131-50100	NUT	1			0.022	
070	04013-60100	WASHER PLAIN	1			0.006	

ALTERNATOR

Ref	Part Number	Part Name	Qty	IC	S/N	Lbs	Remarks
090	01023-50618	BOLT	1			0.013	
100	04012-50060	WASHER PLAIN	1			0.002	
110	16271-83370	CLAMP CORD	1			0.011	

Silverhorn.CO.UK

ALTERNATOR [COMPONENT PARTS]



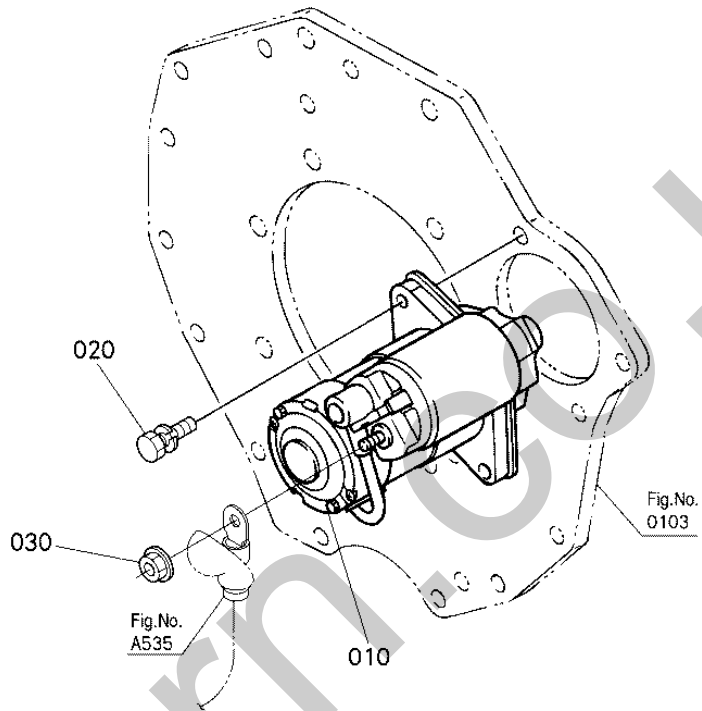
ALTERNATOR [COMPONENT PARTS]

Ref	Part Number	Part Name	Qty	IC	S/N	Lbs	Remarks
010	16241-64012	ASSY ALTERNATOR	1			6.6	
020	15881-64110	PULLEY DYNAMO	1			0.352	
030	15881-92010	NUT	1			0.044	
040	15881-64150	COLLAR	1			0.008	
050	66436-64040	ROTOR	1			2.64	
060	15881-64800	COVER BEARING	1			0.002	
070	16652-64770	BEARING BALL	1			0.099	

ALTERNATOR [COMPONENT PARTS]

Ref	Part Number	Part Name	Qty	IC	S/N	Lbs	Remarks
080	15881-64810	WASHER THRUST	1			0.004	
090	66436-64020	FRAME DRIVE END	1			2.442	
100	15881-64710	PLATE RETAINER	1			0.022	
110	15881-93010	SCREW ROUND HEAD	4			0.006	
120	15881-64260	BOLT THROUGH	2			0.022	
130	16652-64780	BEARING BALL	1			0.11	
140	16231-64060	FRAME END	1			0.374	
150	16231-64230	COVER END	1			0.077	
160	16231-64850	ASSY RECTIFIER	1			0.396	
170	16241-64900	BUSH INSULATION	1			0.015	
180	16652-64310	HOLDER BRUSH	1			0.055	
190	15881-64090	BRUSH	2			0.004	
200	15881-64330	SPRING BRUSH	2			0.004	
210	15881-93020	SCREW ROUND HEAD	2			0.011	
220	15881-93030	SCREW ROUND HEAD	6			0.006	
230	15881-93040	SCREW ROUND HEAD	1			0.006	
240	15881-91040	BOLT	3			0.011	
250	15881-92020	NUT	2			0.044	
260	15881-91050	BOLT	2			0.022	
270	14182-92030	NUT	1			0.006	
280	1K531-64602	ASSY REGULATOR	1			0.176	

STARTER

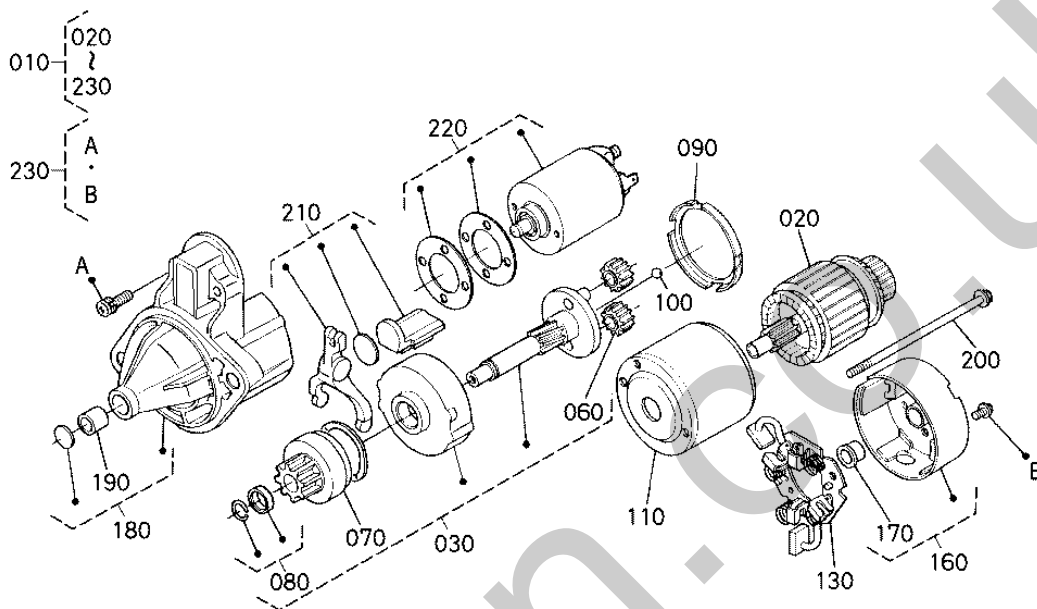


32741-011-10

STARTER

Ref	Part Number	Part Name	Qty	IC	S/N	Lbs	Remarks
010	6C070-59210	ASSY STARTER	1			7.04	
020	01123-50840	BOLT	2			0.039	
030	02121-50080	NUT	1			0.022	

STARTER [COMPONENT PARTS]



6C070-064-13

STARTER [COMPONENT PARTS]

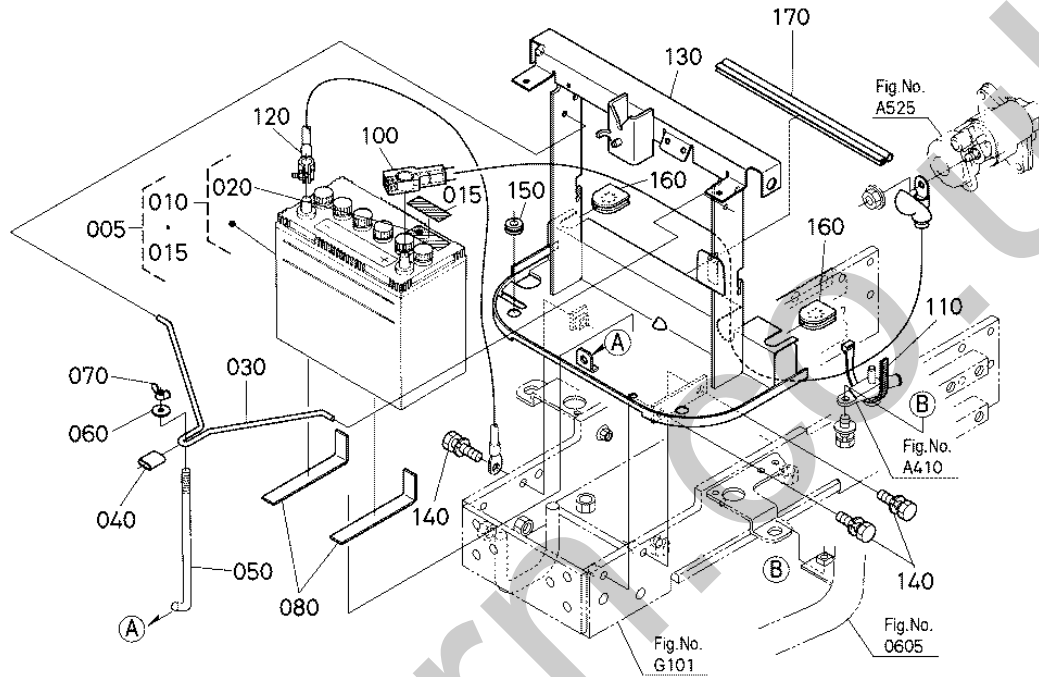
Ref	Part Number	Part Name	Qty	IC	S/N	Lbs	Remarks
010	6C070-59210	ASSY STARTER	1			7.04	
020	6C070-82610	ARMATURE	1			1.76	
030	6C070-82620	ASSY SHAFT	1			1.144	
060	6C040-82650	GEAR PLANETARY	3			0.035	
070	16853-63040	CLUTCH OVER RUNNING	1			0.55	
080	6C040-82670	STOPPER	1			0.008	
090	6C070-82680	GASKET	1			0.008	

STARTER [COMPONENT PARTS]

Ref	Part Number	Part Name	Qty	IC	S/N	Lbs	Remarks
100	6C040-82690	BALL	1			0.002	
110	6C070-82700	YOKE	1			1.43	
130	6C070-82720	ASSY HOLDER BRUSH	1			0.154	
160	6C070-82750	ASSY BRACKET REAR	1			0.352	
170	6C040-82760	BUSH	1			0.011	
180	6C070-82770	ASSY BRACKET FRONT	1			1.254	
190	15852-63240	BUSH	1			0.013	
200	6C070-82780	BOLT	2			0.026	
210	6C070-82790	LEVER FORK	1			0.039	
220	6C040-82800	ASSY SWITCH MAGNETIC	1			1.386	
230	15852-93310	SCREW PAN-HEAD	1			0.044	

Silverhorn.co.uk

BATTERY



32741-012-10

BATTERY

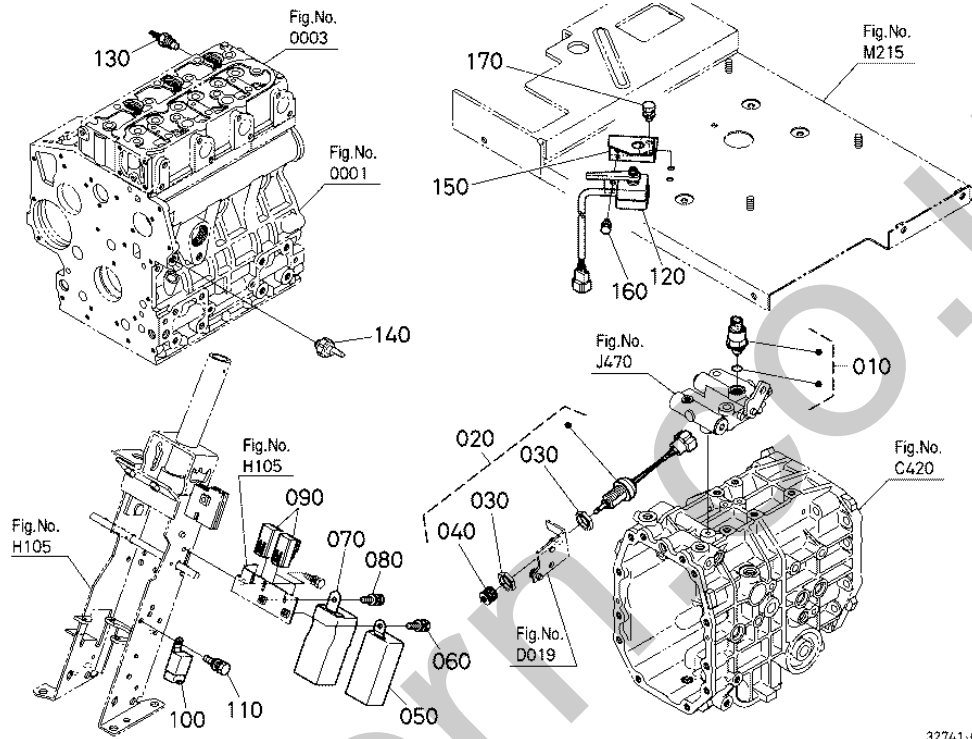
Ref	Part Number	Part Name	Qty	IC	S/N	Lbs	Remarks
005	99999-99999	KIT BATTERY (B)	1			0	FRENCH 55B24L
010	99999-99999	ASSY BATTERY	1			0	ENGLISH 55B24L
015	6C021-92120	LABEL BATTERY	1			0.002	FRENCH
020	6C040-55590	LABEL BATTERY	1			0.002	ENGLISH
030	32741-55553	RETAINER BATTERY	1			0	
040	6C040-55580	CUSHION	1			0.004	
050	6C040-55560	BOLT HOOK	1			0.083	

BATTERY

Ref	Part Number	Part Name	Qty	IC	S/N	Lbs	Remarks
060	04015-60060	WASHER PLAIN	1			0.011	
070	02810-50060	NUT WING	1			0.019	
080	34150-33220	CUSHION	2			0.033	
100	32721-55530	CORD BATTERY(+)	1			0.44	
110	53581-64150	BAND CORD	1			0.004	
120	6C040-55540	CORD BATTERY(-)	1			0.242	
130	32741-51223	BRACKET BATTERY	1			0	
140	01135-51030	BOLT	3			0.066	
150	17607-02950	GROMMET	2			0.006	
160	6C040-51290	RUBBER	2			0.006	
170	67980-51520	TRIM	1			0.088	

Silverhorn.co.uk

SWITCH



32741-013-10

SWITCH

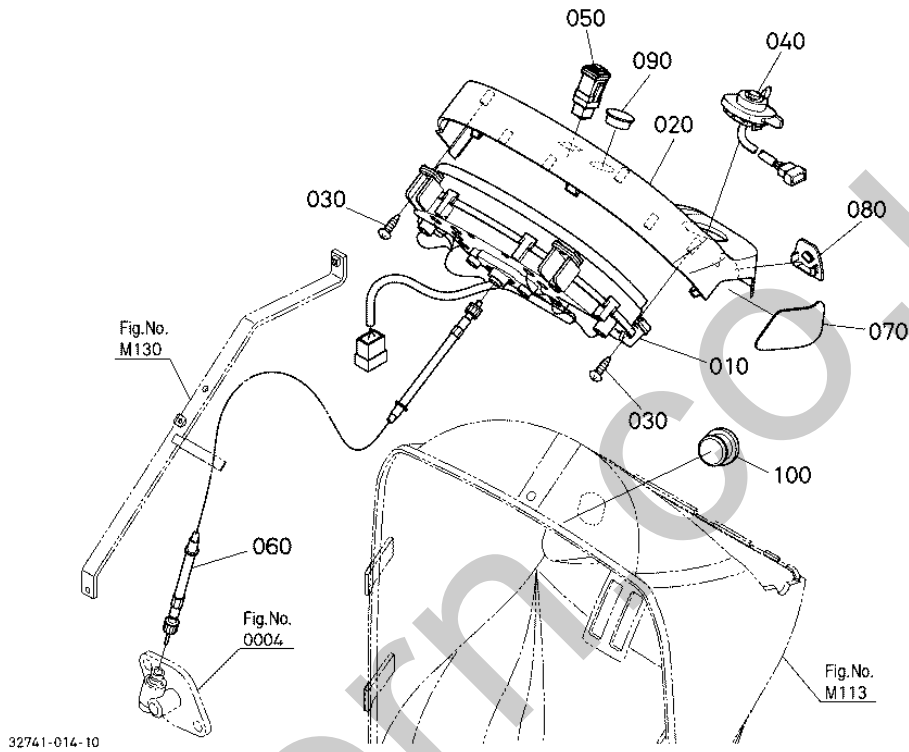
Ref	Part Number	Part Name	Qty	IC	S/N	Lbs	Remarks
010	6A700-18810	SWITCH SAFETY	1			0.114	
020	52320-42883	SWITCH SAFETY	1			0.264	
030	67111-55830	NUT SAFETY SWITCH	2			0.077	
040	67111-55840	CAP SAFETY SWITCH	1			0.004	
050	3F240-75430	UNIT FLASHER	1			0.132	
060	01025-50612	BOLT	1			0.011	
070	6C190-55510	CONTROLLER(OPC)	1			0.132	

SWITCH

Ref	Part Number	Part Name	Qty	IC	S/N	Lbs	Remarks
080	01025-50612	BOLT	1			0.011	
090	T1060-33720	RELAY STARTER	3			0.044	
100	68881-53540	COMP.RELAY	1			0.088	
110	01754-50612	BOLT FLANGE	1			0.011	
120	TD060-47902	SWITCH SEAT	1			0.066	
130	31351-32830	SENSOR THERMO	1			0.044	
140	1A024-39010	SWITCH OIL	1			0.077	
150	32741-47293	STAY SEAT SWITCH	1			0.22	
160	01025-50616	BOLT	1			0.011	
170	01123-60816	BOLT	2			0.022	

Silverhorn.co.uk

PANEL BOARD



PANEL BOARD

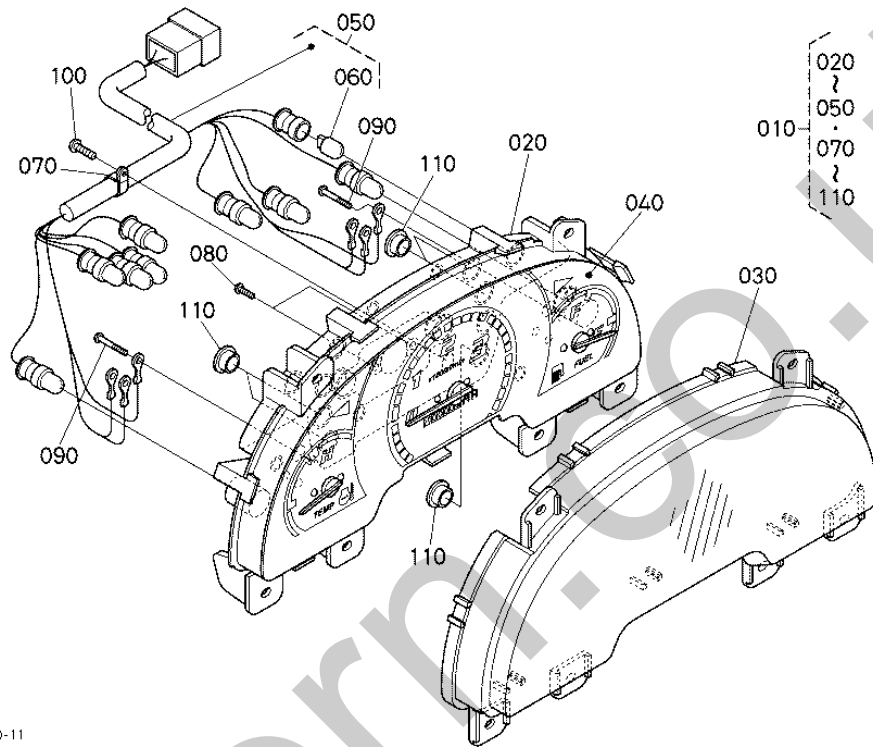
Ref	Part Number	Part Name	Qty	IC	S/N	Lbs	Remarks
010	6C200-30200	ASSY PANEL METER	1			1.826	
020	6C200-53520	COVER METER PANEL	1			0.66	
030	03514-50416	SCREW TAPPING	6			0.004	
040	32741-55420	SWITCH COMBINATION	1			0	
050	6C070-55430	SWITCH HAZARD	1			0.041	
060	35300-99343	CABLE TRACTORMETER	1			0.484	
070	6C200-53562	COVER SHUTTLE	1			0.026	

PANEL BOARD

Ref	Part Number	Part Name	Qty	IC	S/N	Lbs	Remarks
080	6C200-53570	COVER TILT	1			0.008	
090	5H601-35270	CAP GUARD RH	1			0.015	
100	3A751-55790	PLUG	1			0.008	

Silverhorn.CO.UK

PANEL BOARD [COMPONENT PARTS]



6C200-020-11

PANEL BOARD [COMPONENT PARTS]

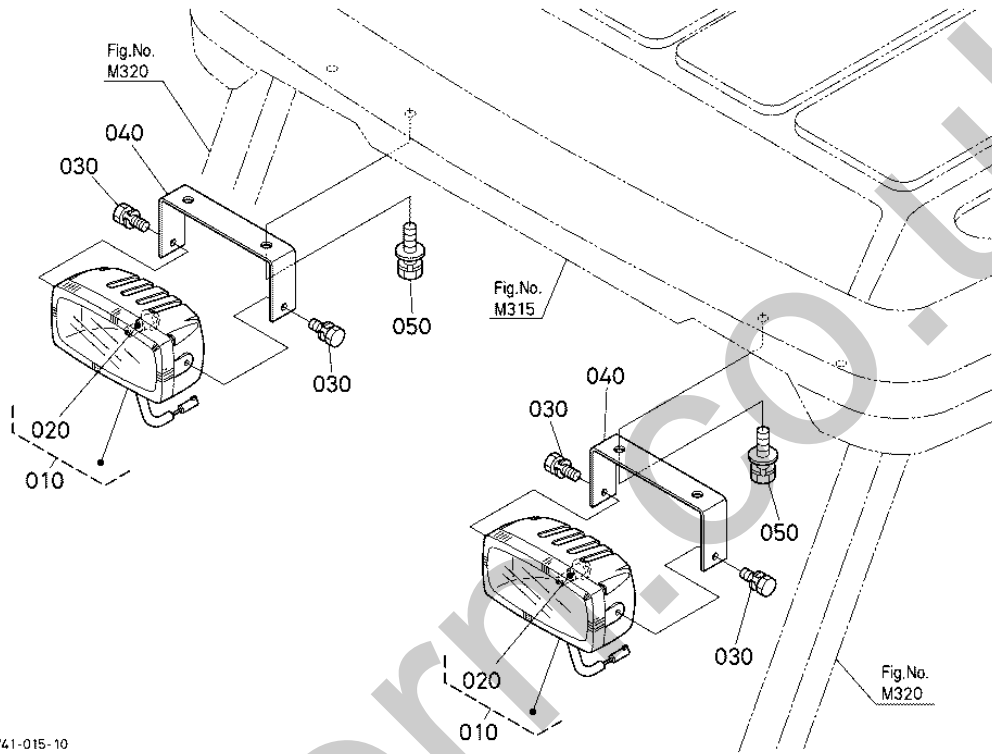
Ref	Part Number	Part Name	Qty	IC	S/N	Lbs	Remarks
010	6C200-30200	ASSY PANEL METER	1			1.826	
020	6C200-30210	ASSY CASE	1			0.44	
030	6A700-30220	GLASS	1			0.44	
040	6C200-30230	CASE METER PANEL	1			0.704	
050	6C200-30250	ASSY WIRE HARNESS	1			0.242	
060	6A700-30270	LAMP	9			0.004	1.7W
070	6C200-30280	CLAMP	1			0.002	

PANEL BOARD [COMPONENT PARTS]

Ref	Part Number	Part Name	Qty	IC	S/N	Lbs	Remarks
080	6C040-55150	SCREW	2			0.004	
090	66101-55810	SCREW	6			0.002	
100	6A700-30240	SCREW TAPPING	1			0.004	
110	6C200-30270	PLUG	5			0.002	

Silverhorn.CO.UK

HEAD LIGHT

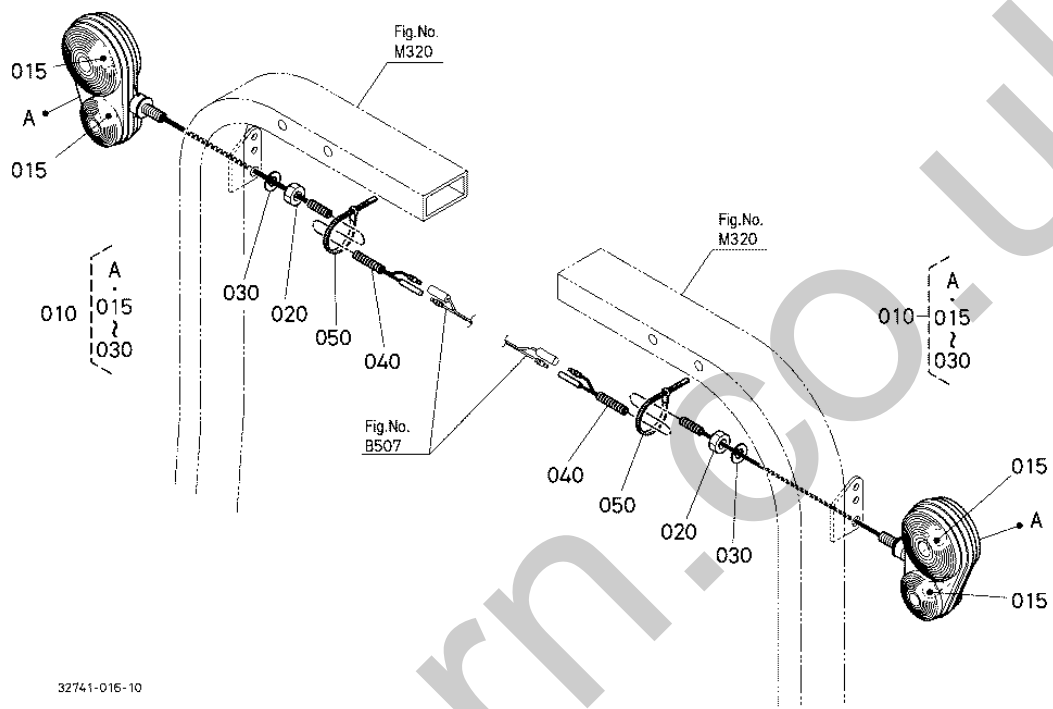


32741-015-10

HEAD LIGHT

Ref	Part Number	Part Name	Qty	IC	S/N	Lbs	Remarks
010	T1275-75302	LIGHT WORK	2			0.55	
020	T1275-91060	BULB	2			0.022	35W
030	T1275-91070	BOLT	4			0.015	
040	32781-75312	STAY	2			0	
050	01125-60816	BOLT	4			0.022	

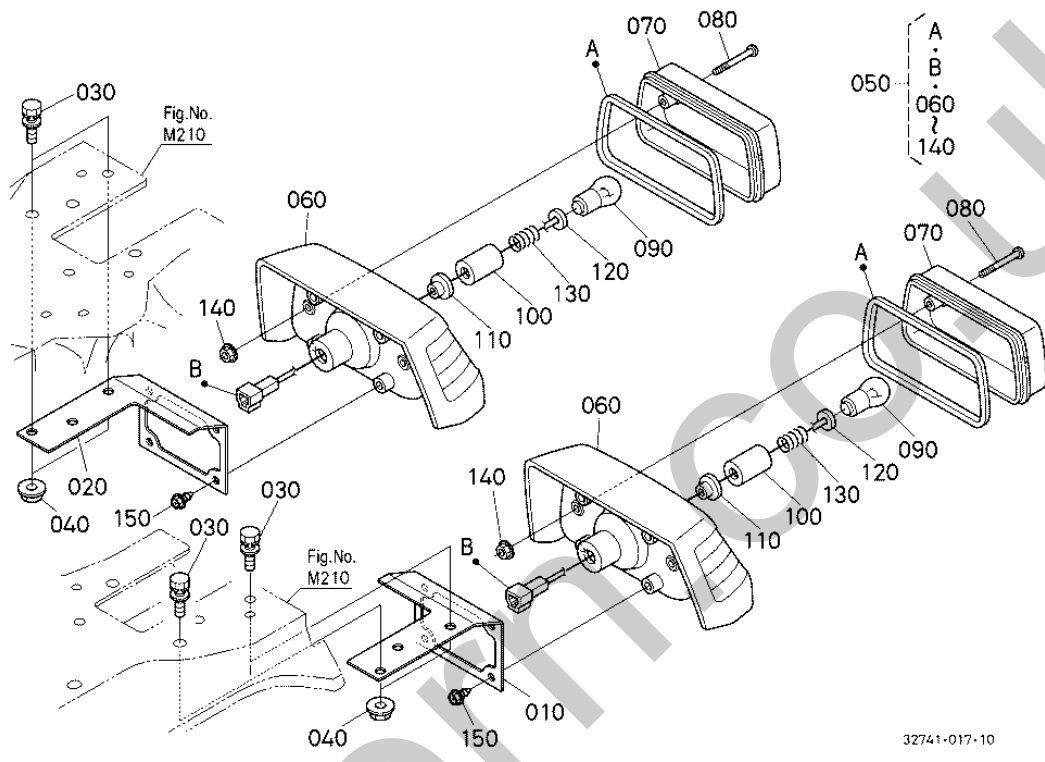
HAZARD LIGHT



HAZARD LIGHT

Ref	Part Number	Part Name	Qty	IC	S/N	Lbs	Remarks
010	K2581-62612	ASSY LAMP HAZARD	2			0	
015	K2561-62650	BULB LAMP	4			0	32W
020	75599-31025	HEX.NUT	2			0.033	
030	75599-33015	WASHER SPRING LOCK	2			0.013	
040	K2581-62620	TUBE GUARD HAZARD	2			0	
050	75590-64650	BAND CODE	2			0.022	

TAIL LIGHT



32741-017-10

TAIL LIGHT

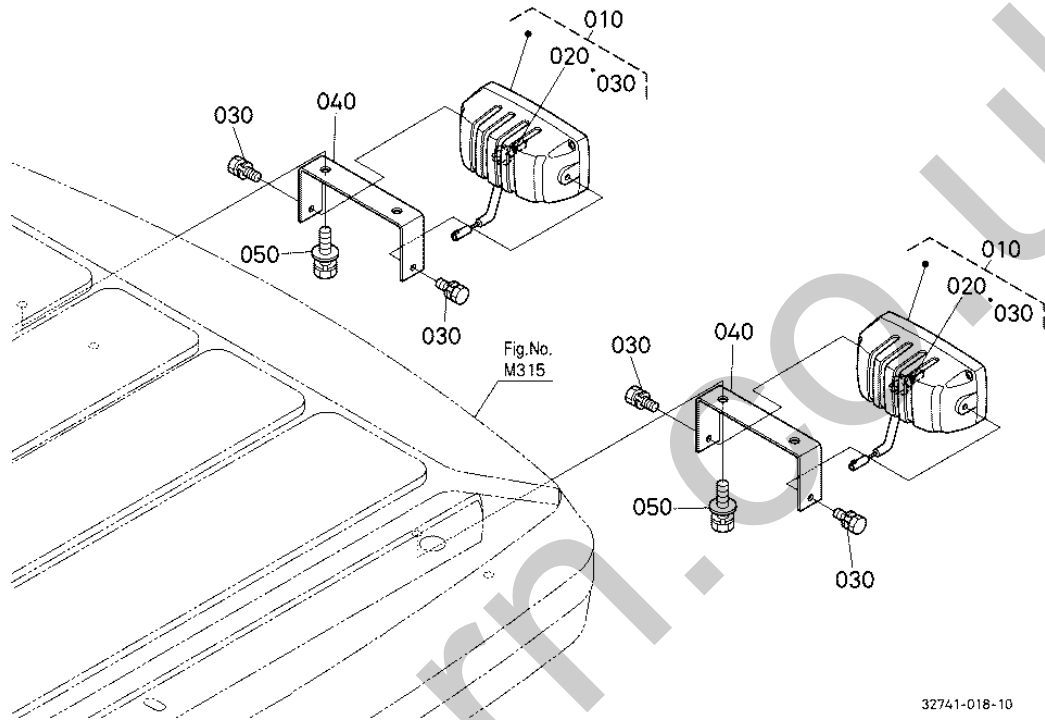
Ref	Part Number	Part Name	Qty	IC	S/N	Lbs	Remarks
010	6C200-52780	STAY LH COVER	1			0.44	
020	6C200-52790	STAY RH COVER	1			0.44	
030	01125-60816	BOLT	4			0.022	
040	02121-50080	NUT	4			0.022	
050	6C200-55472	ASSY LIGHT TAIL	2			0.66	
060	6C200-55480	BODY	2			0.44	
070	6C200-55490	LENS TAIL LIGHT	2			0.154	

TAIL LIGHT

Ref	Part Number	Part Name	Qty	IC	S/N	Lbs	Remarks
080	03054-50540	SCREW PAN-HEAD	4			0.006	
090	6C040-92150	BULB	2			0.013	8W
100	6C040-92160	SOCKET	2			0.015	
110	6C040-92170	BUSH RUBBER	2			0.002	
120	6C040-92180	INSULATOR	2			0.002	
130	6C040-92190	SPRING	2			0.002	
140	6C040-92230	NUT	4			0.004	
150	6A320-52152	SCREW	8			0.011	

Silverhorn.CO.UK

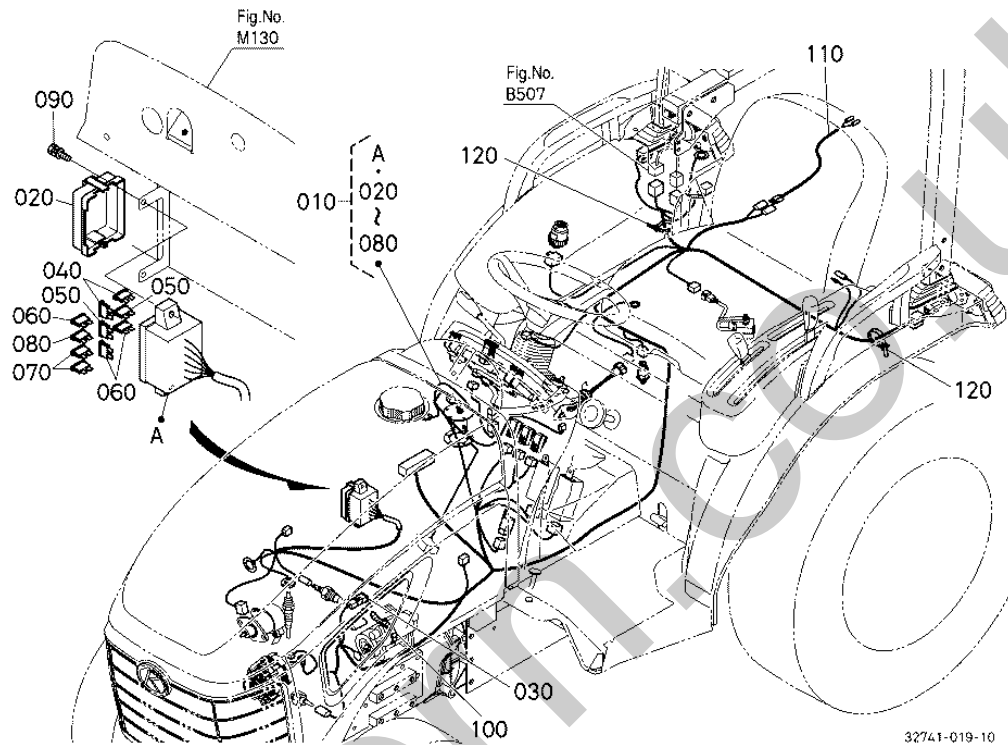
WORKING LIGHT



WORKING LIGHT

Ref	Part Number	Part Name	Qty	IC	S/N	Lbs	Remarks
010	T1275-75302	LIGHT WORK	2			0.55	
020	T1275-91060	BULB	2			0.022	35W
030	T1275-91070	BOLT	4			0.015	
040	32781-75312	STAY	2			0	
050	01125-60816	BOLT	4			0.022	

ELECTRICAL WIRING (BODY)



32741-019-10

ELECTRICAL WIRING (BODY)

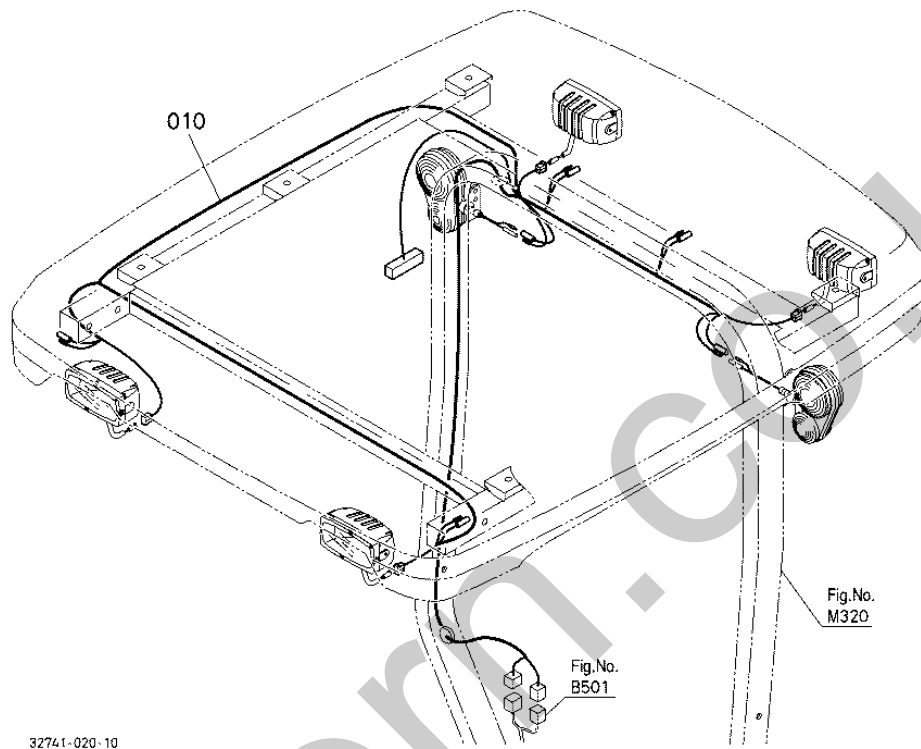
Ref	Part Number	Part Name	Qty	IC	S/N	Lbs	Remarks
010	32741-30402	ASSY WIRE HARNESS	1			0	
020	32741-30430	COVER FUSE CASE	1			0	
030	34670-34530	FUSE	1			0.006	40A
040	66426-80010	FUSE AUTO	2			0.022	5A
050	48100-55880	FUSE AUTO	2			0.022	10A
060	36919-56650	FUSE AUTO	3			0.004	20A
070	32741-30480	FUSE AUTO	2			0	25A

ELECTRICAL WIRING (BODY)

Ref	Part Number	Part Name	Qty	IC	S/N	Lbs	Remarks
080	52300-41630	FUSE AUTO	1			0.022	30A
090	01025-50620	BOLT	2			0.044	
100	55311-41260	BAND CORD	1			0.015	
110	32771-30564	WIRE HARNESS	1			0.055	
120	75546-66920	BAND CODE	2			0.019	

Silverhorn.co.uk

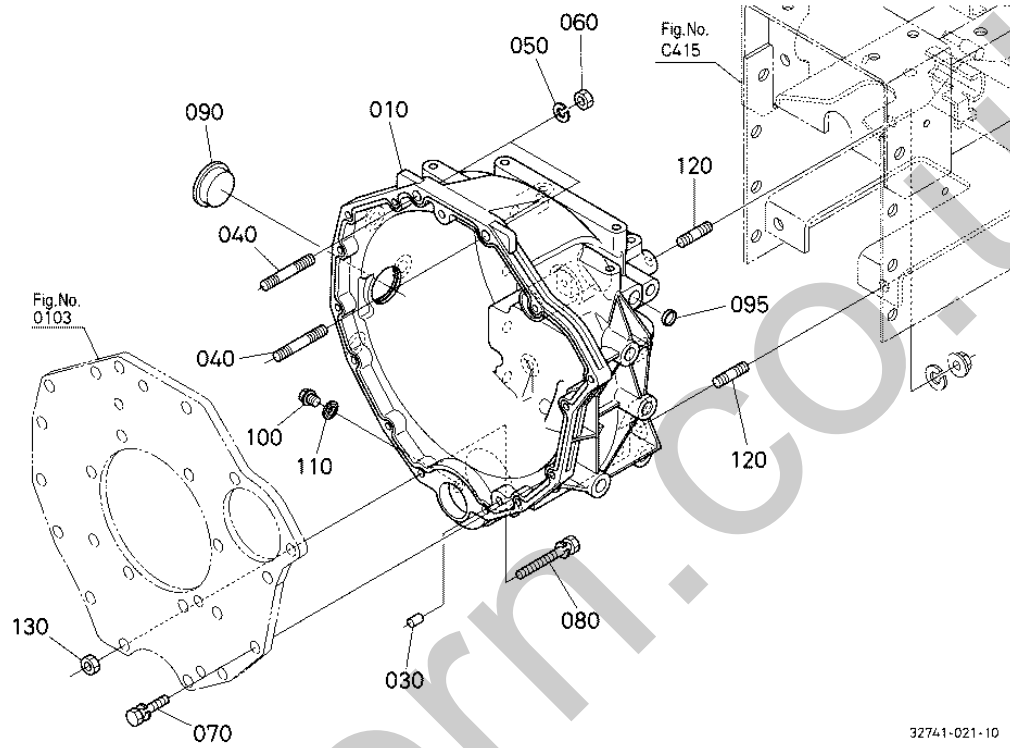
ELECTRICAL WIRING (CANOPY)



ELECTRICAL WIRING (CANOPY)

Ref	Part Number	Part Name	Qty	IC	S/N	Lbs	Remarks
010	32741-30332	WIRE HARNESS H/LIGHT	1			0	

CLUTCH HOUSING



32741-021-10

CLUTCH HOUSING

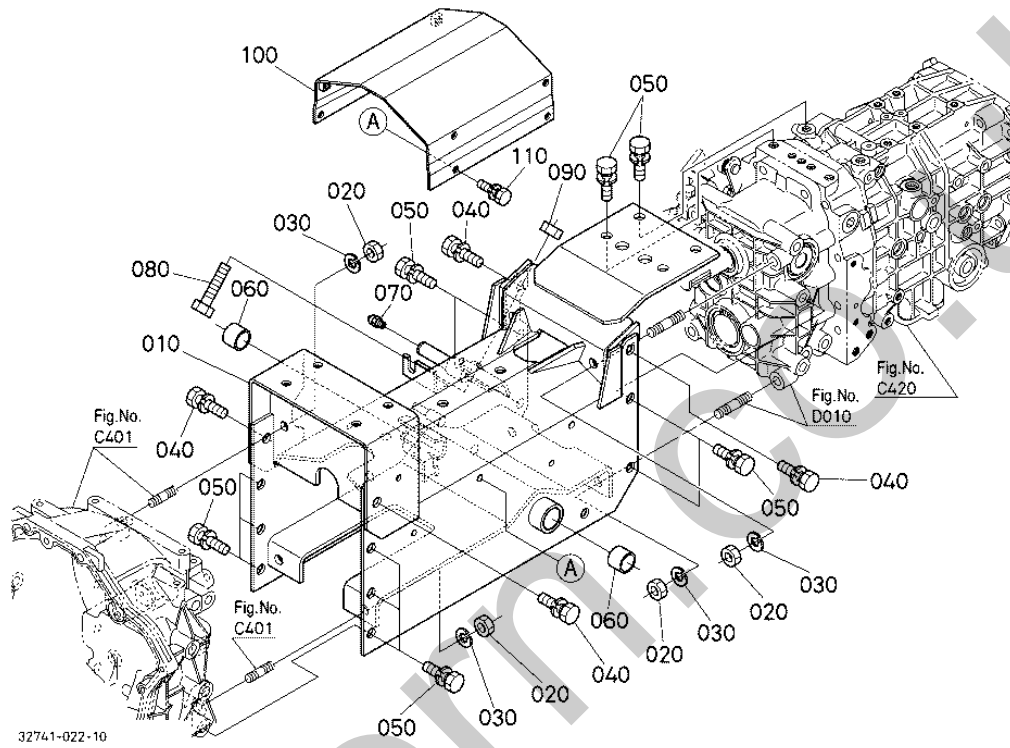
Ref	Part Number	Part Name	Qty	IC	S/N	Lbs	Remarks
010	6C200-13113	HOUSING CLUTCH	1			14.3	
030	66611-11160	PIN KNOCK	1			0.022	
040	01517-51045	STUD	2			0.070	
050	04512-60100	WASHER SPRING	2			0.004	
060	02118-50100	NUT	2			0.011	
070	01123-50830	BOLT	9			0.033	
080	01123-50870	BOLT	2			0.063	

CLUTCH HOUSING

Ref	Part Number	Part Name	Qty	IC	S/N	Lbs	Remarks
090	37410-13124	PLUG	1			0.044	
095	06311-85016	CAP SEALING	1			0.006	
100	01754-50812	BOLT FLANGE	1			0.022	
110	04717-00800	WASHER WITH RUBBER	1			0.002	
120	01555-51225	STUD	4			0.085	
130	02114-50080	NUT	2			0.011	

Silverhorn.CO.UK

CENTER FRAME



CENTER FRAME

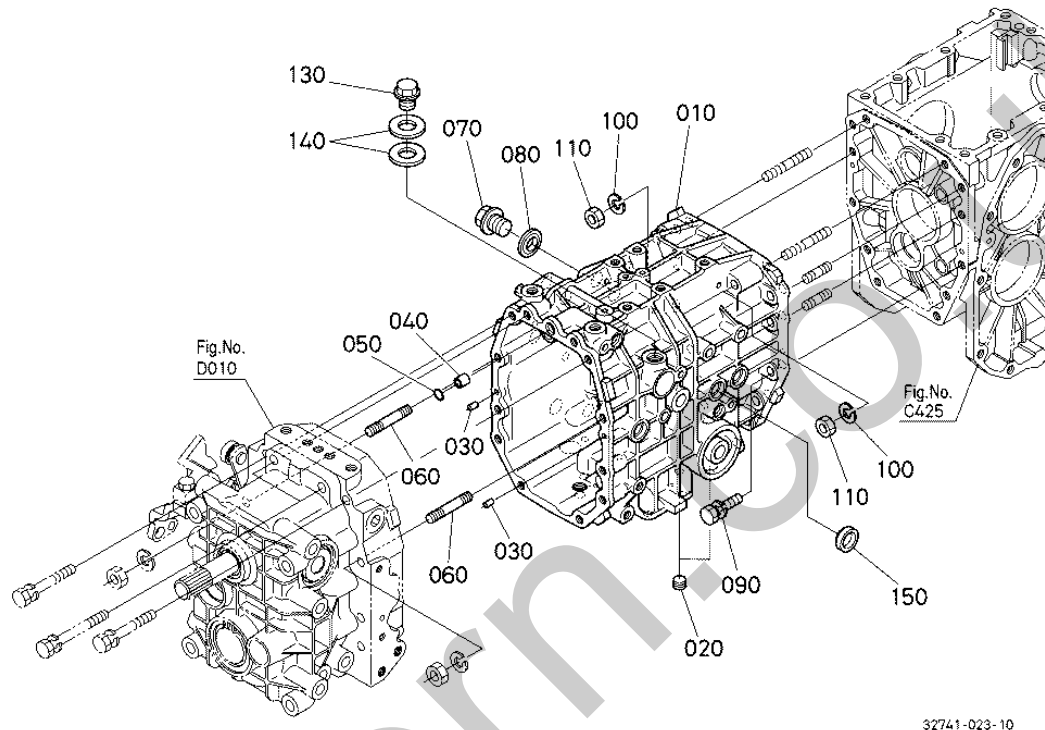
Ref	Part Number	Part Name	Qty	IC	S/N	Lbs	Remarks
010	32741-51116	COMP.FRAME CENTER	1			42.28	
020	02174-50120	NUT	8			0.022	
030	04512-60120	WASHER SPRING	8			0.011	
040	01123-51240	BOLT	4			0.105	
050	01123-51230	BOLT	14			0.088	
060	08511-02515	BUSH	2			0.026	
070	06613-10675	NIPPLE GREASE	1			0.006	

CENTER FRAME

Ref	Part Number	Part Name	Qty	IC	S/N	Lbs	Remarks
080	66711-13320	BOLT ADJUSTING	1			0.061	
090	02118-50100	NUT	1			0.011	
100	32741-51150	PLATE CENTER	1			0	
110	01123-50820	BOLT	4			0.024	

Silverhorn.CO.UK

TRANSMISSION CASE



32741-023-10

TRANSMISSION CASE

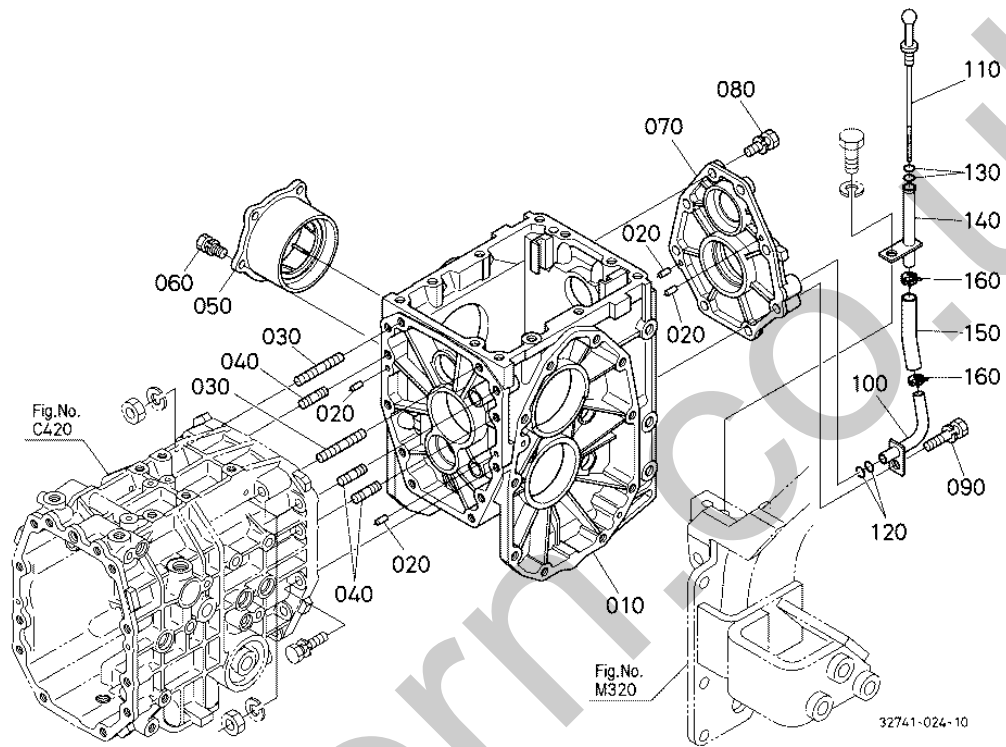
Ref	Part Number	Part Name	Qty	IC	S/N	Lbs	Remarks
010	6C200-11113	CASE TRANSMISSION	1			13.2	
020	RA111-62470	PLUG	2			0.006	
030	05012-00614	PIN STRAIGHT	2			0.008	
040	11420-94940	PIPE KNOCK	1			0.002	
050	04811-10100	O RING	1			0.002	
060	01555-51070	STUD	2			0.107	
070	06311-55030	PLUG	1			0.11	

TRANSMISSION CASE

Ref	Part Number	Part Name	Qty	IC	S/N	Lbs	Remarks
080	04717-01700	WASHER WITH RUBBER	1			0.006	
090	01123-51040	BOLT	7			0.066	
100	04512-60100	WASHER SPRING	5			0.004	
110	02118-50100	NUT	5			0.011	
130	06331-35014	PLUG	1			0.066	
140	04724-00140	GASKET	2			0.004	
150	06311-75020	PLUG EXPANSION	1			0.008	

Silverhorn.CO.UK

DIFFERENTIAL GEAR CASE



DIFFERENTIAL GEAR CASE

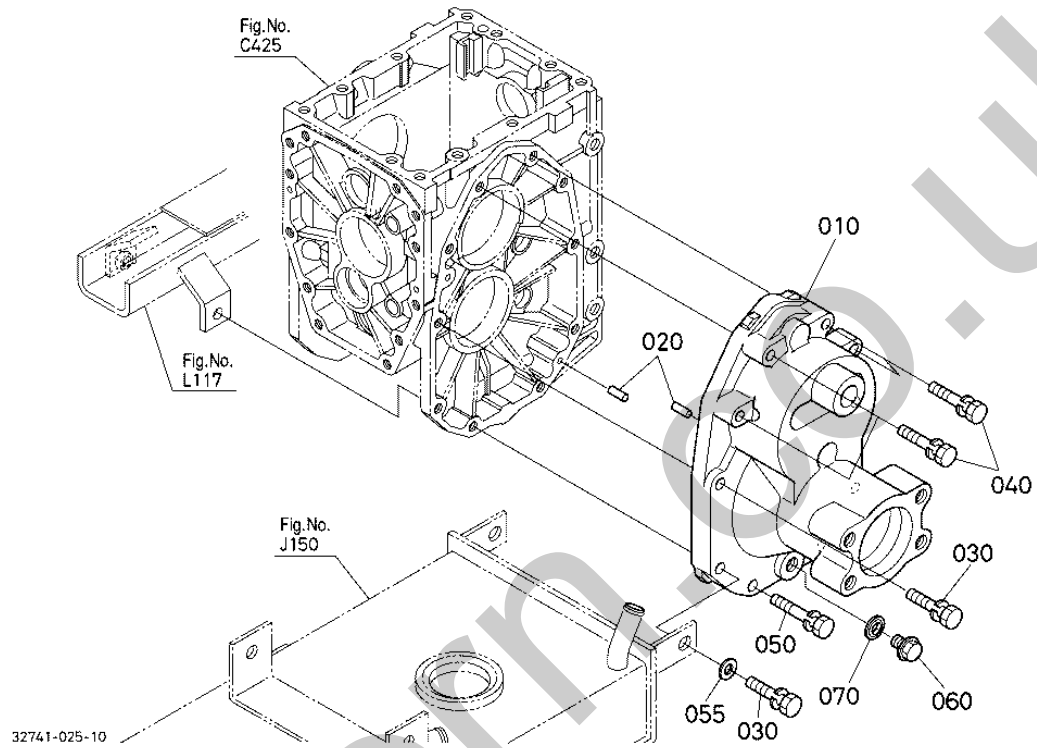
Ref	Part Number	Part Name	Qty	IC	S/N	Lbs	Remarks
010	6A700-11173	CASE DIFF.GEAR	1			14.3	
020	05012-00614	PIN STRAIGHT	4			0.008	
030	01555-51065	STUD	2			0.105	
040	01555-51035	STUD	3			0.063	
050	6A600-11810	HOLDER DIFF.BRG.	1			0.55	
060	01123-50825	BOLT	4			0.028	
070	6A700-12210	COVER PTO	1			1.188	

DIFFERENTIAL GEAR CASE

Ref	Part Number	Part Name	Qty	IC	S/N	Lbs	Remarks
080	01123-51030	BOLT	7			0.055	
090	01123-51050	BOLT	1			0.077	
100	6C200-11150	PIPE OIL GAUGE	1			0.088	
110	6C040-11160	GAUGE OIL	1			0.022	
120	04816-00120	O RING	2			0.002	
130	04816-00060	O RING	2			0.002	
140	6C200-11160	PIPE OIL GAUGE	1			0.11	
150	6C200-11190	HOSE	1			0.033	
160	09318-88155	CLAMP HOSE	2			0.011	

Silverhorn.co.uk

REAR AXLE CASE LH



REAR AXLE CASE LH

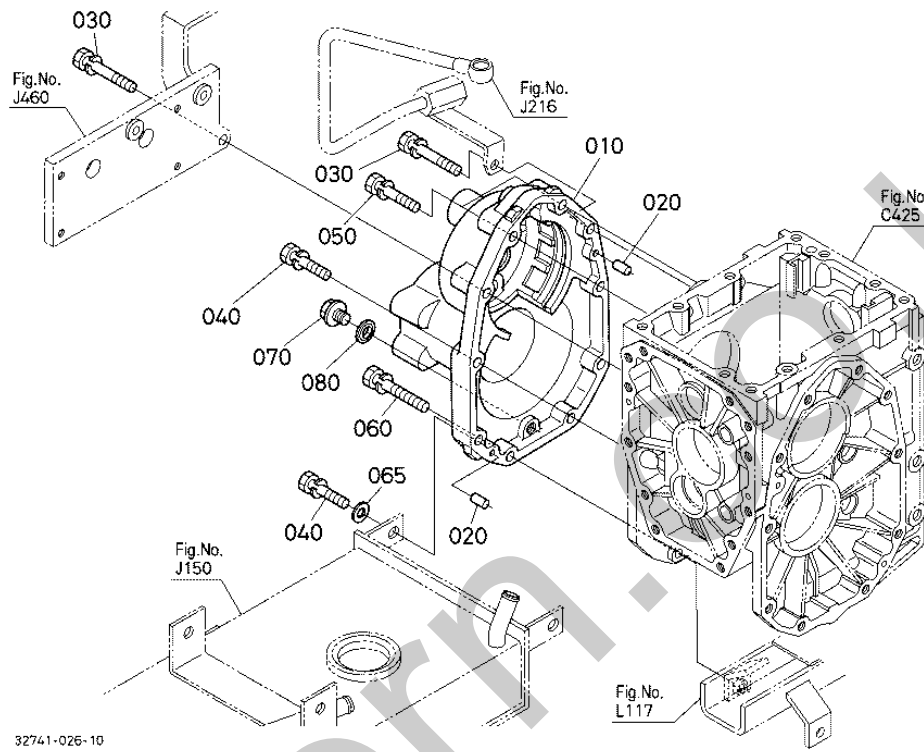
Ref	Part Number	Part Name	Qty	IC	S/N	Lbs	Remarks
010	6C070-12610	CASE AXLE LH	1			16.72	
020	05012-00614	PIN STRAIGHT	2			0.008	
030	01123-51050	BOLT	5			0.077	
040	01123-51060	BOLT	4			0.11	
050	01133-51075	BOLT	1			0.066	
055	04013-60100	WASHER PLAIN	1			0.006	
060	01774-51212	BOLT FLANGE	1			0.061	

REAR AXLE CASE LH

Ref	Part Number	Part Name	Qty	IC	S/N	Lbs	Remarks
070	04717-01200	WASHER WITH RUBBER	1			0.004	

Silverhorn.CO.UK

REAR AXLE CASE RH



REAR AXLE CASE RH

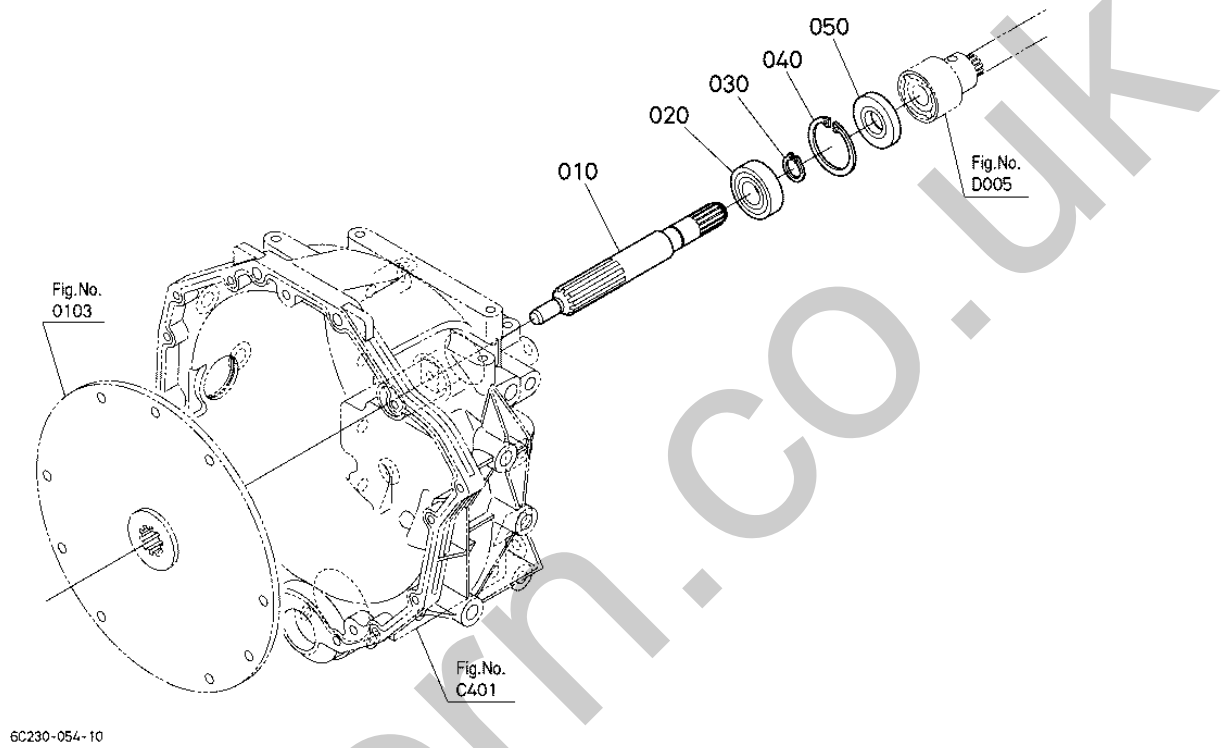
Ref	Part Number	Part Name	Qty	IC	S/N	Lbs	Remarks
010	6C070-12620	CASE AXLE RH	1			16.5	
020	05012-00614	PIN STRAIGHT	2			0.008	
030	01123-51070	BOLT	2			0.11	
040	01123-51050	BOLT	5			0.077	
050	01123-51060	BOLT	2			0.11	
060	01133-51075	BOLT	1			0.066	
065	04013-60100	WASHER PLAIN	1			0.006	

REAR AXLE CASE RH

Ref	Part Number	Part Name	Qty	IC	S/N	Lbs	Remarks
070	01774-51212	BOLT FLANGE	1			0.061	
080	04717-01200	WASHER WITH RUBBER	1			0.004	

Silverhorn.CO.UK

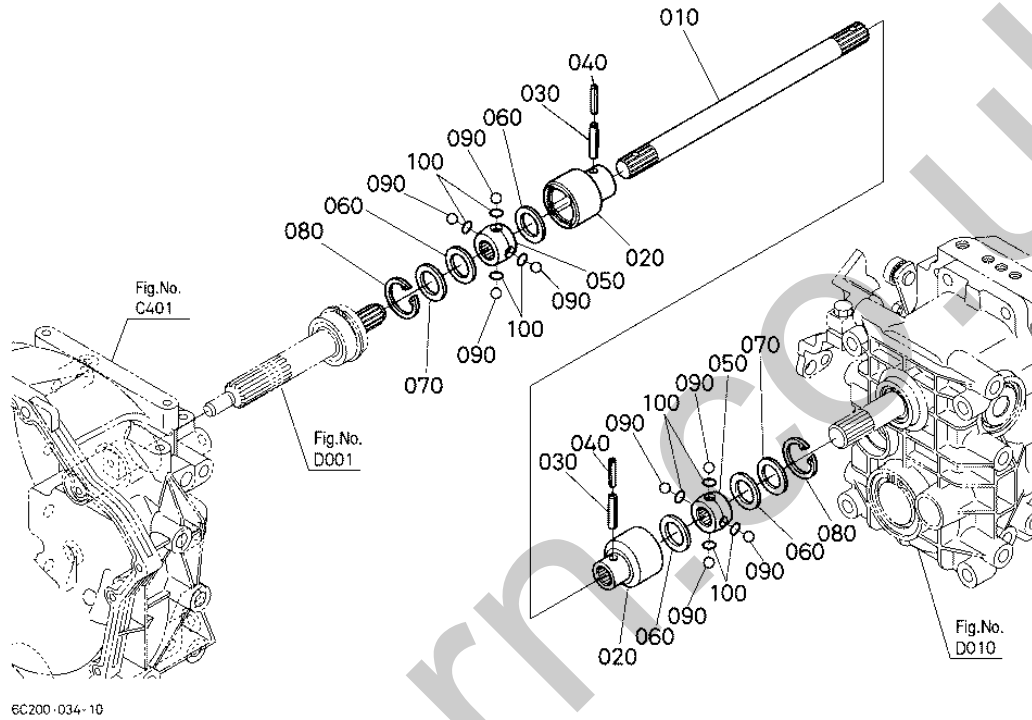
CLUTCH SHAFT



CLUTCH SHAFT

Ref	Part Number	Part Name	Qty	IC	S/N	Lbs	Remarks
010	6C200-13310	SHAFT CLUTCH	1			1.342	
020	08141-06204	BEARING BALL	1			0.222	
030	04612-00200	CIR CLIP EXTERNAL	1			0.002	
040	04611-00470	CIR CLIP INTERNAL	1			0.013	
050	09500-20477	SEAL OIL	1			0.039	

PROPELLER SHAFT



PROPELLER SHAFT

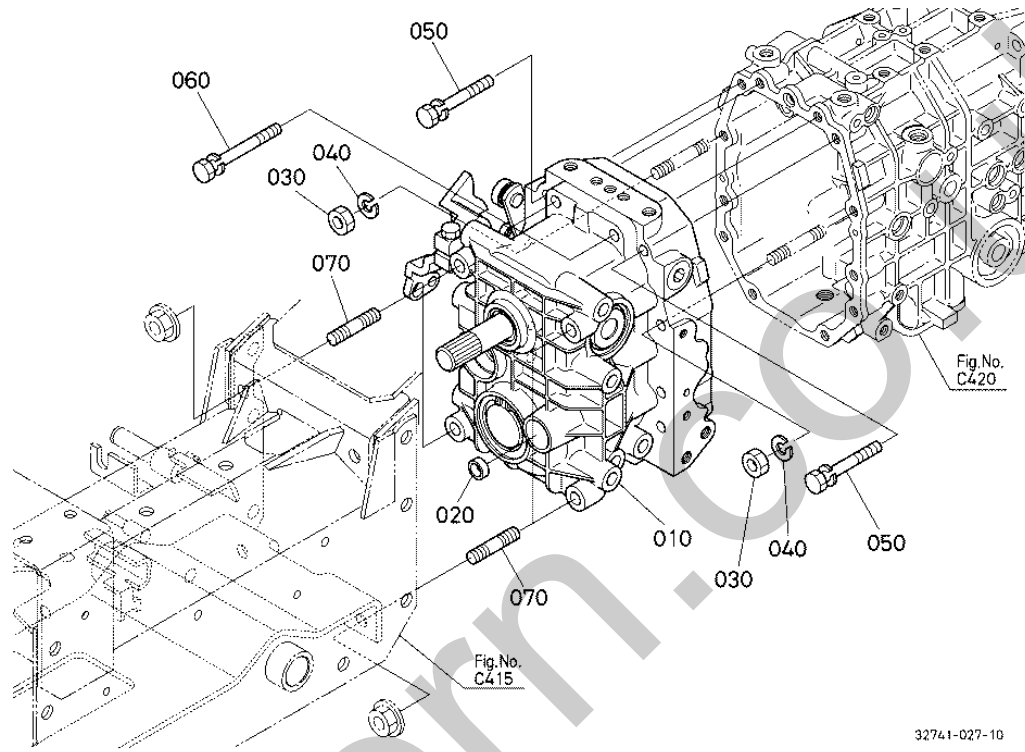
Ref	Part Number	Part Name	Qty	IC	S/N	Lbs	Remarks
010	6C200-13610	SHAFT PROPELLING	1			1.54	
020	67111-13710	COUPLING BALL OUTER	2			0.495	
030	05411-00630	PIN SPRING	2			0.008	
040	T0270-15310	PIN SPRING	2			0.004	
050	67211-14133	COUPLING BALL INNER	2			0.165	
060	67111-13730	GASKET BALL JOINT	4			0.004	
070	67111-13740	SUPPORT GASKET	2			0.008	

PROPELLER SHAFT

Ref	Part Number	Part Name	Qty	IC	S/N	Lbs	Remarks
080	04611-00350	CIR CLIP INTERNAL	2			0.006	
090	07715-00803	BALL	8			0.008	
100	04811-10060	O RING	8			0.002	

Silverhorn.CO.UK

HST



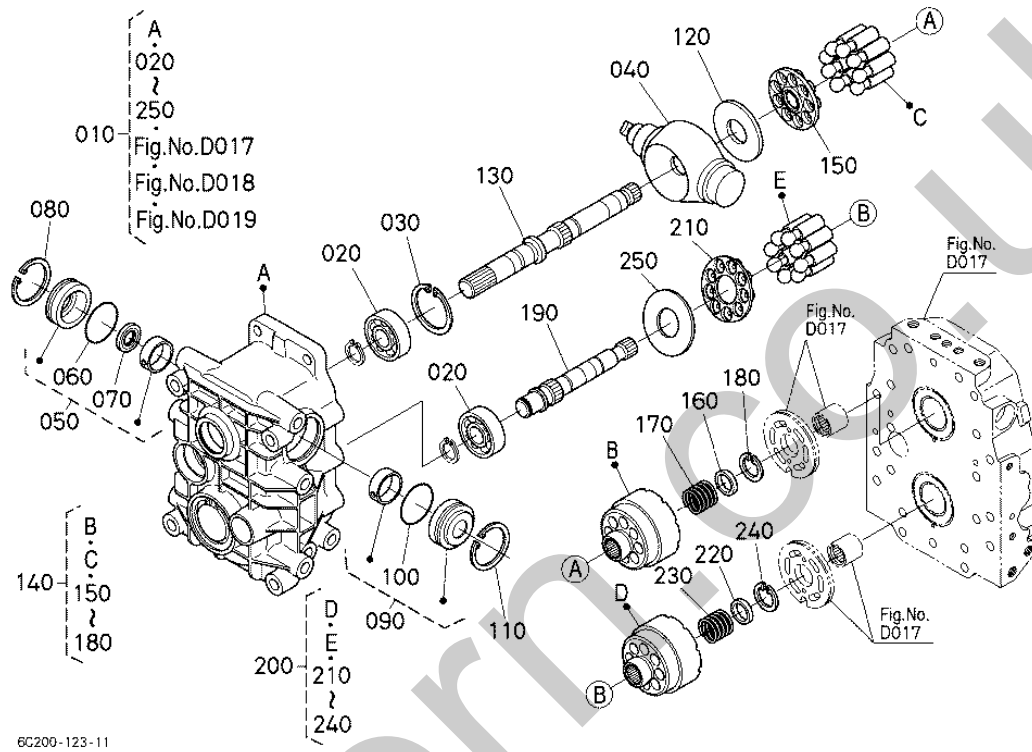
32741-027-10

HST

Ref	Part Number	Part Name	Qty	IC	S/N	Lbs	Remarks
010	6C200-11604	ASSY HST	1			46.77	
020	06311-85018	CAP SEALING	1			0.008	
030	02118-50100	NUT	2			0.011	
040	04512-60100	WASHER SPRING	2			0.004	
050	01123-51075	BOLT	8			0.11	
060	01123-51090	BOLT	2			0.121	
070	01555-51225	STUD	4			0.085	

Silverhorn.CO.UK

HST [COMPONENT PARTS] 1



6C200-123-11

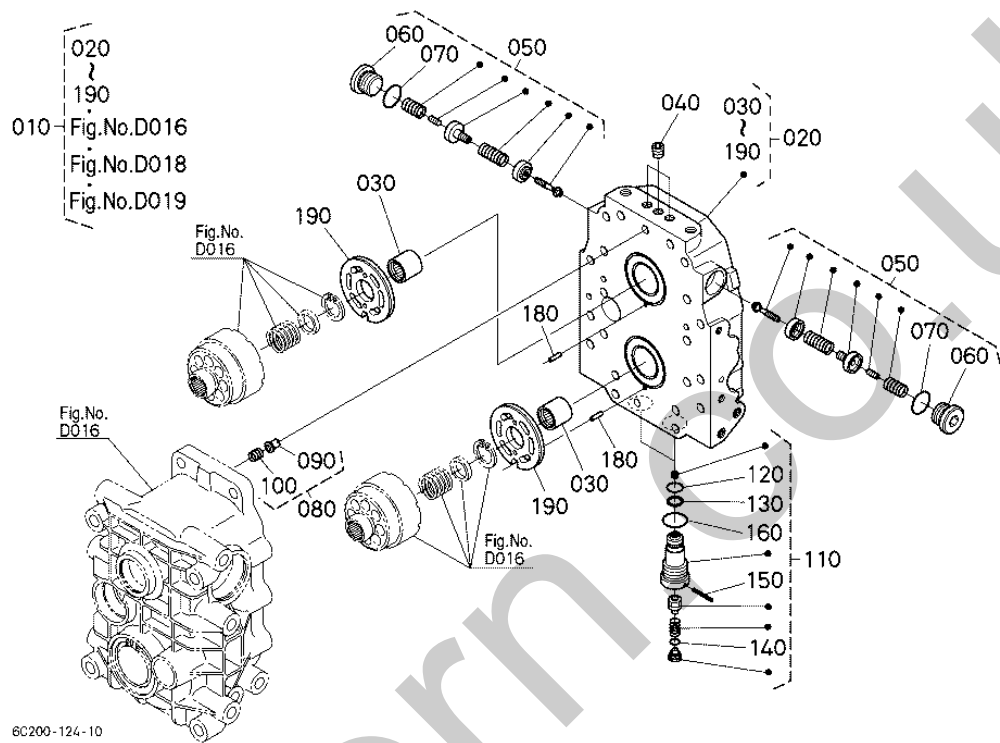
HST [COMPONENT PARTS] 1

Ref	Part Number	Part Name	Qty	IC	S/N	Lbs	Remarks
010	6C200-11604	ASSY HST	1			46.77	
020	37410-14320	BEARING BALL	2			0.319	
030	04611-00520	CIR CLIP INTERNAL	1			0.019	
040	6A710-11710	PLATE	1			2.2	
050	6A110-35020	ASSY COVER A	1			0.528	
060	04811-50550	O RING	1			0.004	
070	6A110-35140	SEAL OIL	1			0.019	

HST [COMPONENT PARTS] 1

Ref	Part Number	Part Name	Qty	IC	S/N	Lbs	Remarks
080	04611-00620	CIR CLIP INTERNAL	1			0.024	
090	6A110-35030	ASSY COVER B	1			0.528	
100	04811-50550	O RING	1			0.004	
110	04611-00620	CIR CLIP INTERNAL	1			0.024	
120	32721-35150	COLLAR THRUST	1			0.057	
130	6A710-11720	SHAFT	1			1.034	
140	32721-35040	ASSY BLOCK CYL.	1			2.398	
150	32721-35180	PLATE RETAINER	1			0.044	
160	66415-39240	HOLDER SPRING	1			0.008	
170	66415-39250	SPRING	1			0.011	
180	66415-39470	CIR CLIP INTERNAL	1			0.044	
190	6A710-11810	SHAFT	1			0.99	
200	32721-35070	ASSY BLOCK CYL.	1			2.398	
210	32721-35180	PLATE RETAINER	1			0.044	
220	66415-39240	HOLDER SPRING	1			0.008	
230	66415-39250	SPRING	1			0.011	
240	66415-39470	CIR CLIP INTERNAL	1			0.044	
250	32721-35150	COLLAR THRUST	1			0.057	

HST [COMPONENT PARTS] 2



6C200-124-10

HST [COMPONENT PARTS] 2

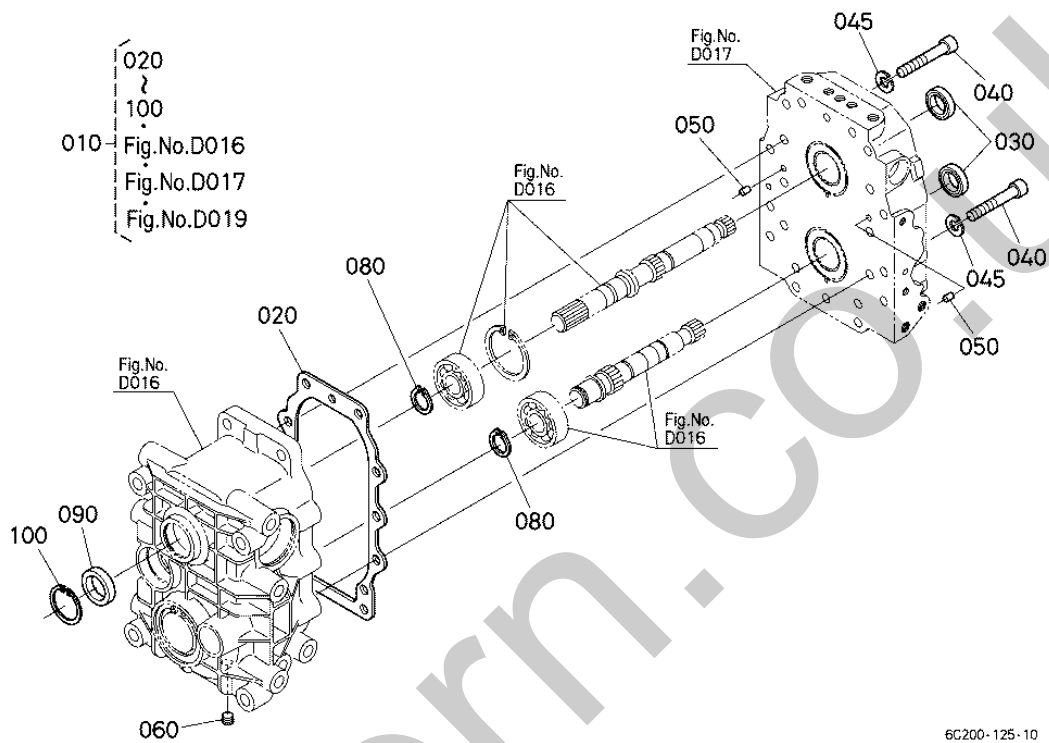
Ref	Part Number	Part Name	Qty	IC	S/N	Lbs	Remarks
010	6C200-11604	ASSY HST	1			46.77	
020	6A710-11902	ASSY COVER PORTBLOCK	1			26.4	
030	6A610-35320	BEARING NEEDLE	2			0.055	
040	K7001-39620	PLUG	3			0.011	
050	6A710-11960	ASSY VALVE	2			0.182	
060	5H600-11820	PLUG	2			0.011	
070	04817-00180	O RING	2			0.006	

HST [COMPONENT PARTS] 2

Ref	Part Number	Part Name	Qty	IC	S/N	Lbs	Remarks
080	37590-39900	ASSY VALVE RELIEF	1			0.015	
090	66363-39710	POPPET L	1			0.013	
100	66363-39720	SPRING L	1			0.022	
110	6C070-11650	ASSY VALVE NUETRAL	2			0.22	
120	04817-00120	O RING	2			0.002	
130	66363-39630	RING BACK UP	2			0.002	
140	04817-00100	O RING	2			0.002	
150	05411-00325	PIN SPRING	2			0.002	
160	04817-00180	O RING	2			0.006	
180	05411-00414	PIN SPRING	2			0.002	
190	6A710-11740	PLATE VALVE	2			0.275	

Silverhorn.co.uk

HST [COMPONENT PARTS] 3



6C200-125-10

HST [COMPONENT PARTS] 3

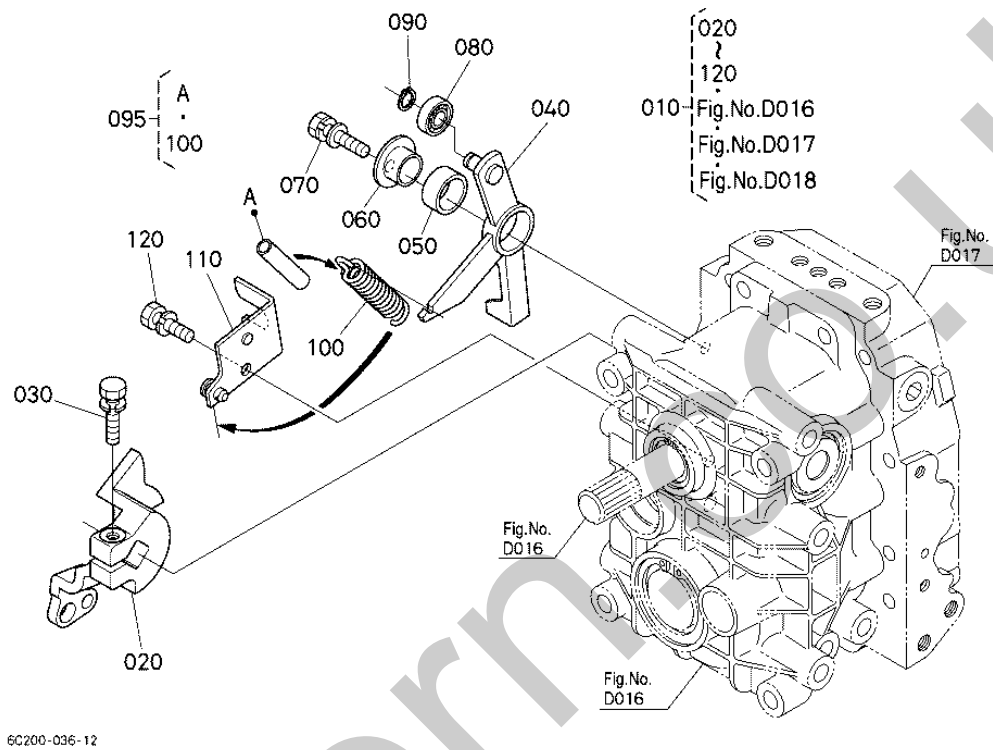
Ref	Part Number	Part Name	Qty	IC	S/N	Lbs	Remarks
010	6C200-11604	ASSY HST	1			46.77	
020	6A710-11622	GASKET	1			0.033	
030	32721-35380	SEAL OIL	2			0.004	
040	01311-11060	BOLT HEX-SOC-HD	9			0.099	
045	66415-39560	WASHER SPRING	9			0.006	
050	K7561-11180	PIN STRAIGHT	2			0.011	
060	32721-35450	PLUG	1			0.004	

HST [COMPONENT PARTS] 3

Ref	Part Number	Part Name	Qty	IC	S/N	Lbs	Remarks
080	04612-00200	CIR CLIP EXTERNAL	2			0.002	
090	66363-39560	SEAL OIL	1			0.022	
100	04611-00350	CIR CLIP INTERNAL	1			0.006	

Silverhorn.CO.UK

HST [COMPONENT PARTS] 4



6C200-036-12

HST [COMPONENT PARTS] 4

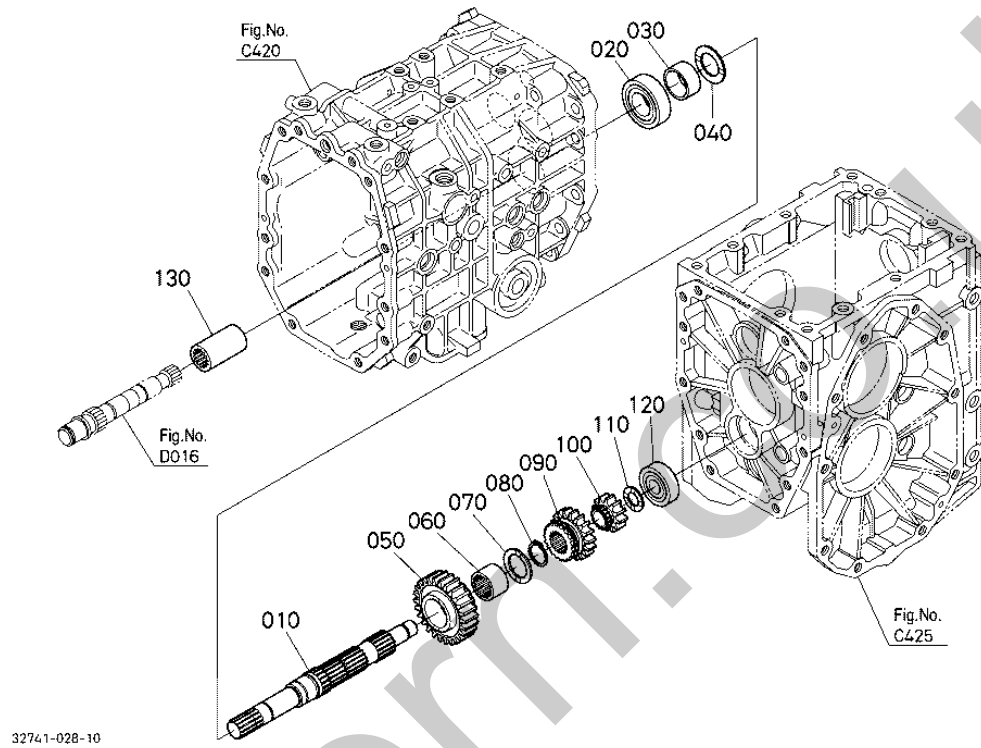
Ref	Part Number	Part Name	Qty	IC	S/N	Lbs	Remarks
010	6C200-11604	ASSY HST	1			46.77	
020	6C200-18110	HOLDER NEUTRAL	1			1.276	
030	01123-50835	BOLT	1			0.044	
040	6C200-18153	ARM NEUTRAL	1			0.352	
050	66204-43572	BUSH	1			0.004	
060	66204-43352	SHAFT HOLDER	1			0.158	
070	01125-50835	BOLT	1			0.037	

HST [COMPONENT PARTS] 4

Ref	Part Number	Part Name	Qty	IC	S/N	Lbs	Remarks
080	08121-06000	BEARING BALL	1			0.044	
090	04612-00100	CIR CLIP EXTERNAL	1			0.002	
095	6C200-18160	ASSY SPRING	1			0.099	
100	6C050-43470	SPRING	1			0.103	
110	6C200-18340	STAY NEUTRAL SWITCH	1			0.198	
120	01123-50820	BOLT	1			0.024	

Silverhorn.CO.UK

RANGE GEAR SHAFT



RANGE GEAR SHAFT

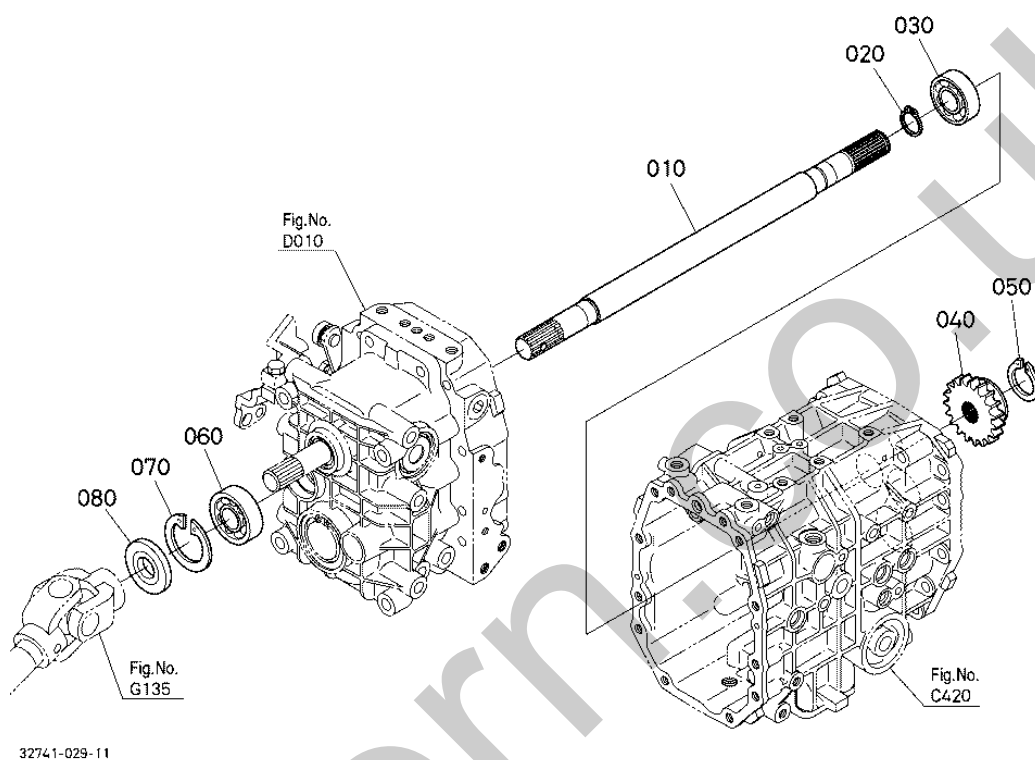
Ref	Part Number	Part Name	Qty	IC	S/N	Lbs	Remarks
010	6C200-14710	SHAFT RANGE GEAR	1			1.276	
020	6A700-16570	BEARING BALL	1			0.279	
030	6C200-14760	COLLAR	1			0.077	
040	67061-14380	COLLAR	1			0.022	
050	6C200-14720	GEAR	1			0.924	26T
060	6A700-14870	RING INNER	1			0.088	
070	6A700-14880	COLLAR THRUST	1			0.019	

RANGE GEAR SHAFT

Ref	Part Number	Part Name	Qty	IC	S/N	Lbs	Remarks
080	6C200-14860	CIR CLIP EXTERNAL	1			0.022	
090	6C200-14730	GEAR	1			0.347	18T
100	6C200-14740	GEAR	1			0.143	12T
110	67910-12330	COLLAR	1			0.013	
120	6A700-16610	BEARING BALL	1			0.176	
130	6C050-14520	COUPLING	1			0.217	

Silverhorn.CO.UK

REVERSE SHAFT



REVERSE SHAFT

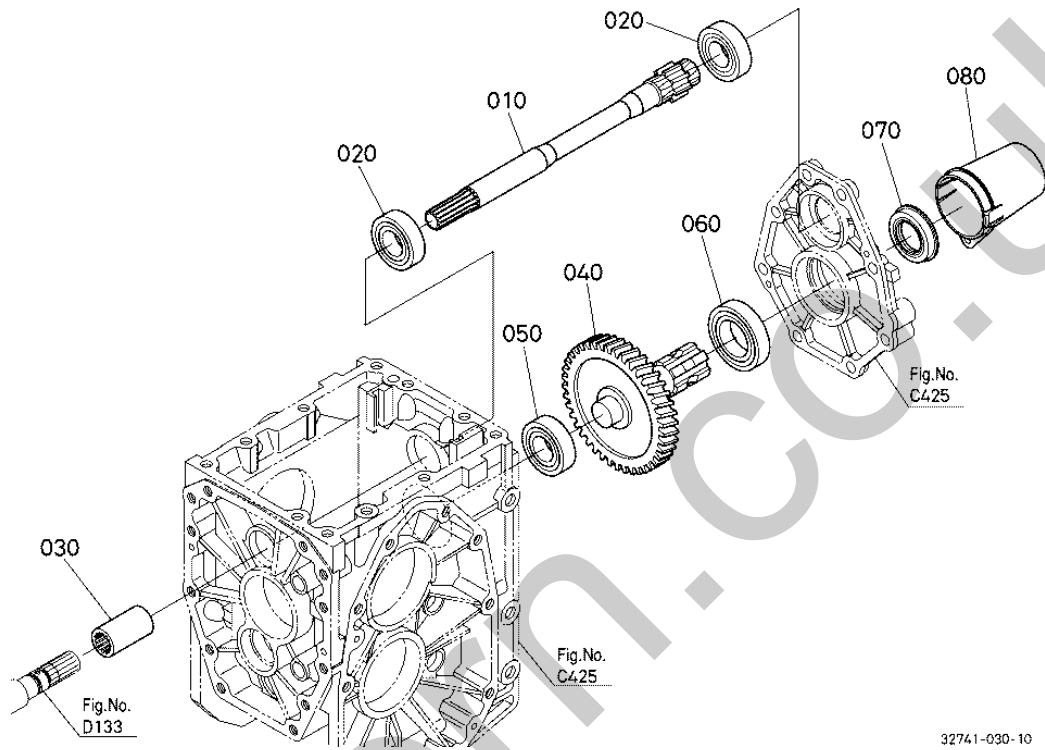
Ref	Part Number	Part Name	Qty	IC	S/N	Lbs	Remarks
010	6C200-16110	SHAFT REVERSE	1			2.53	
020	15875-24320	RING SNAP	1			0.006	
030	52300-16180	BEARING	1			0.226	
040	6C040-14840	GEAR FWD	1			0.506	20T
050	04612-00190	CIR CLIP EXTERNAL	1			0.002	
060	52300-21660	BEARING	1			0.154	
070	04611-00420	CIR CLIP INTERNAL	1			0.013	

REVERSE SHAFT

Ref	Part Number	Part Name	Qty	IC	S/N	Lbs	Remarks
080	09500-20428	SEAL OIL	1			0.026	

Silverhorn.CO.UK

PTO COUNTER SHAFT



32741-030-10

PTO COUNTER SHAFT

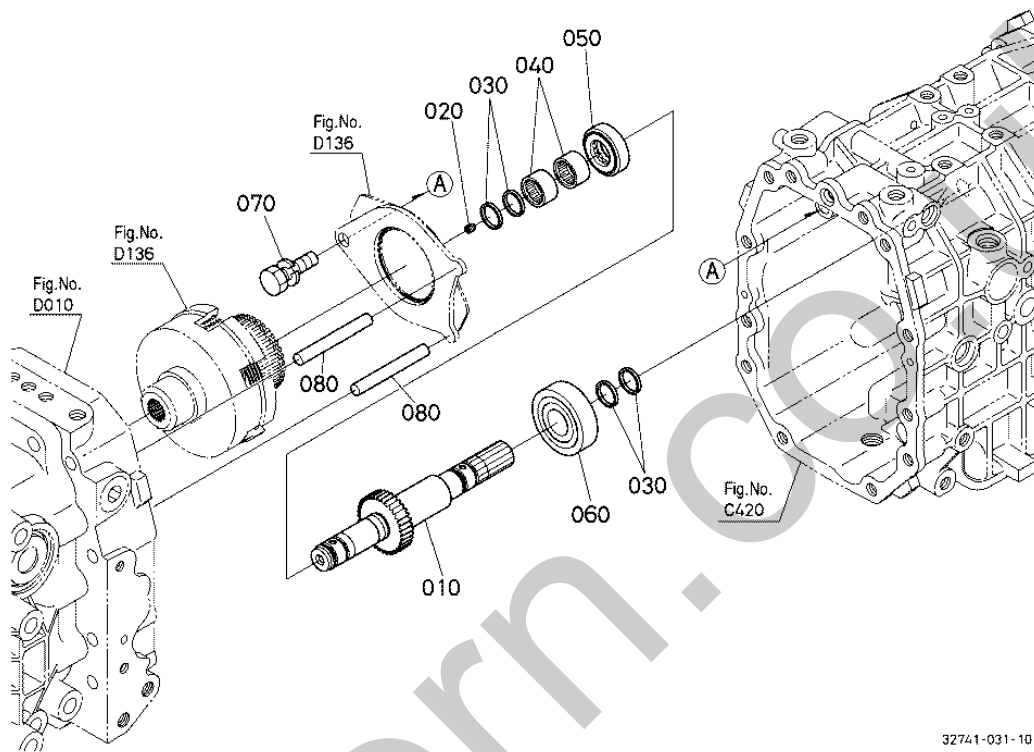
Ref	Part Number	Part Name	Qty	IC	S/N	Lbs	Remarks
010	6C200-14412	SHAFT PTO DRIVE	1			1.892	8T
020	08101-06205	BEARING BALL	2			0.002	
030	6C050-14520	COUPLING	1			0.217	
040	6C200-14510	SHAFT PTO GEAR	1			4.29	41T
050	08101-06205	BEARING BALL	1			0.002	
060	08101-06007	BEARING BALL	1			0.352	
070	37410-16550	SEAL OIL	1			0.066	

PTO COUNTER SHAFT

Ref	Part Number	Part Name	Qty	IC	S/N	Lbs	Remarks
080	37410-63112	CAP PTO SHAFT	1			0.121	

Silverhorn.CO.UK

PTO CLUTCH SHAFT



32741-031-10

PTO CLUTCH SHAFT

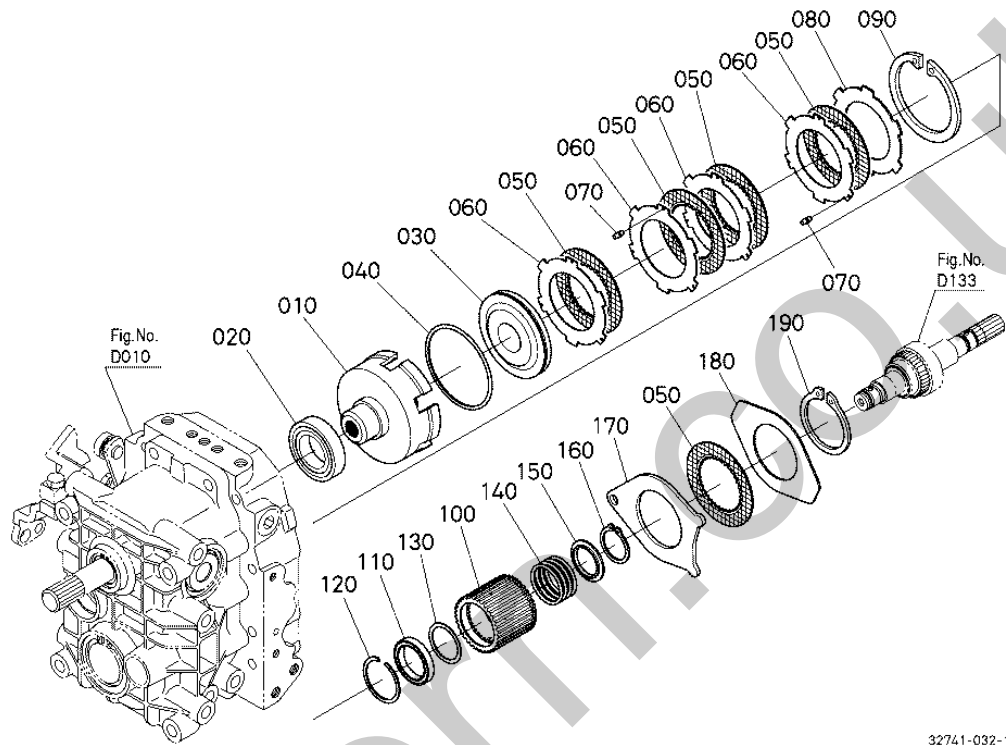
Ref	Part Number	Part Name	Qty	IC	S/N	Lbs	Remarks
010	32741-14210	SHAFT PTO CLUTCH	1			0	
020	3F740-40330	PLUG	1			0.004	
030	59240-15850	RING SEAL	4			0.011	
040	08822-02413	BEARING NEEDLE	2			0.022	
050	6C200-14330	BEARING THRUST BALL	1			0.070	
060	08101-06304	BEARING BALL	1			0.321	
070	01123-51025	BOLT	1			0.044	

PTO CLUTCH SHAFT

Ref	Part Number	Part Name	Qty	IC	S/N	Lbs	Remarks
080	6C200-14290	SHAFT PLATE	2			0.077	

Silverhorn.CO.UK

PTO CLUTCH



32741-032-10

PTO CLUTCH

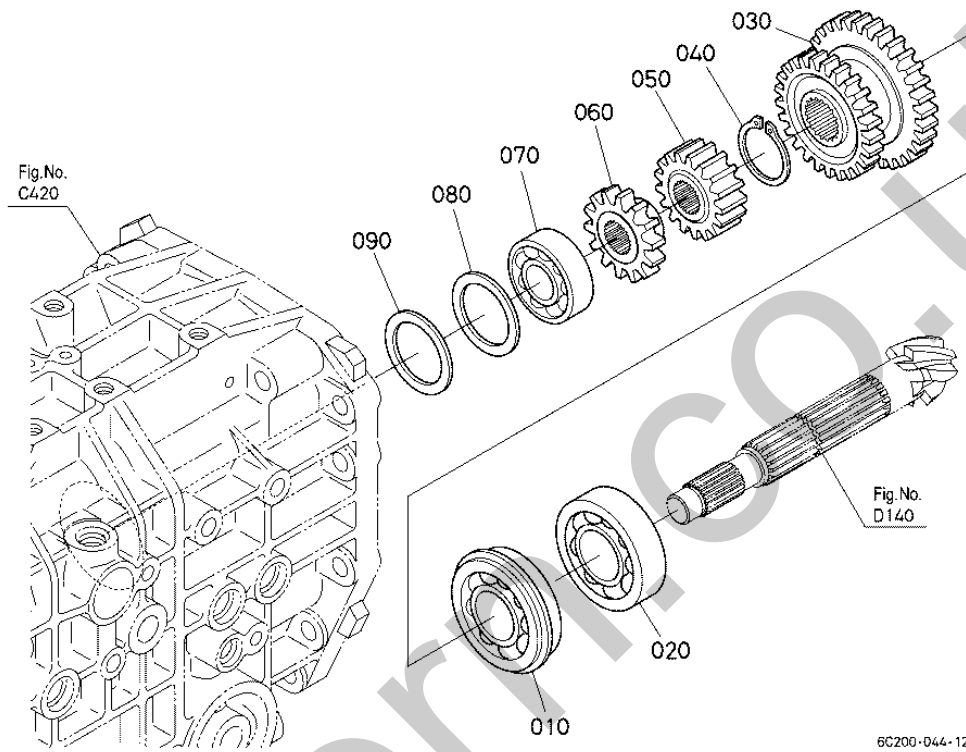
Ref	Part Number	Part Name	Qty	IC	S/N	Lbs	Remarks
010	6C200-14224	CASE PTO CLUTCH	1			1.826	
020	08101-06007	BEARING BALL	1			0.352	
030	6C200-14232	PISTON CLUTCH	1			0.572	
040	37410-75370	D RING	1			0.004	
050	6A700-13750	DISK CLUTCH	5			0.081	
060	6A700-13762	PLATE CLUTCH	4			0.081	
070	TA040-69090	RUBBER	6			0.002	

PTO CLUTCH

Ref	Part Number	Part Name	Qty	IC	S/N	Lbs	Remarks
080	6A700-13770	PLATE CLUTCH	1			0.002	
090	04611-00920	CIR CLIP INTERNAL	1			0.088	
100	6C200-14252	BOSS SPLINE	1			0.77	
110	08101-06807	BEARING BALL	1			0.066	
120	36280-41360	CIR-CLIP	1			0.006	
130	6C200-14350	COLLAR BEARING	1			0.004	
140	6C200-14340	SPRING CLUTCH	1			0.099	
150	6C200-14240	COLLAR SPRING	1			0.033	
160	04612-00300	CIR CLIP EXTERNAL	1			0.006	
170	6C200-14280	PLATE BRAKE	1			0.363	
180	6C200-14380	PLATE BRAKE	1			0.171	
190	04612-00600	CIR CLIP EXTERNAL	1			0.026	

Silverhorn.co.uk

BEVEL GEAR SHAFT/RANGE GEAR



BEVEL GEAR SHAFT/RANGE GEAR

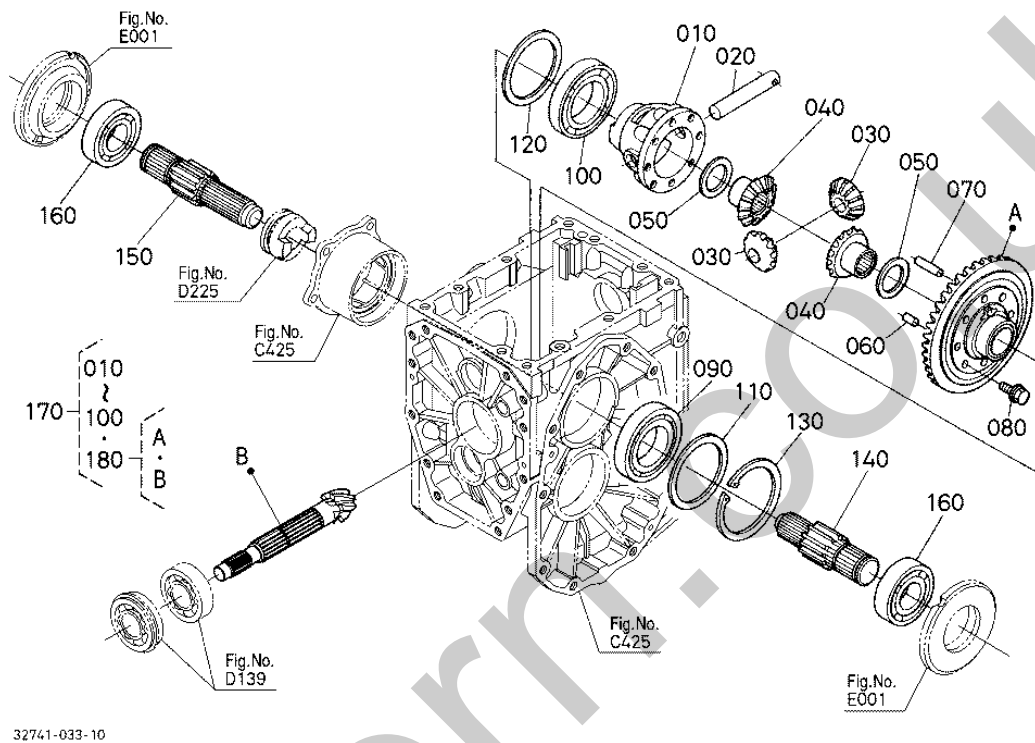
Ref	Part Number	Part Name	Qty	IC	S/N	Lbs	Remarks
010	38430-21590	BEARING BALL	1			0.55	
020	6A700-16640	BEARING BALL	1			0.506	
030	6C200-14830	GEAR	1			1.716	25-31T
040	6C200-14860	CIR CLIP EXTERNAL	1			0.022	
050	6C200-14840	GEAR	1			0.407	17T
060	6C200-14850	GEAR FWD	1			0.253	13T
070	08221-07303	BEARING BALL	1			0.255	

BEVEL GEAR SHAFT/RANGE GEAR

Ref	Part Number	Part Name	Qty	IC	S/N	Lbs	Remarks
080	66591-14720	SPACER	1			0.004	
090	66611-14690	SHIM	1			0.002	0.2mm
090	66611-14680	SHIM	1			0.022	1.8mm
090	66611-14670	SHIM	1			0.017	1.4mm

Silverhorn.CO.UK

REAR DIFFERENTIAL



32741-033-10

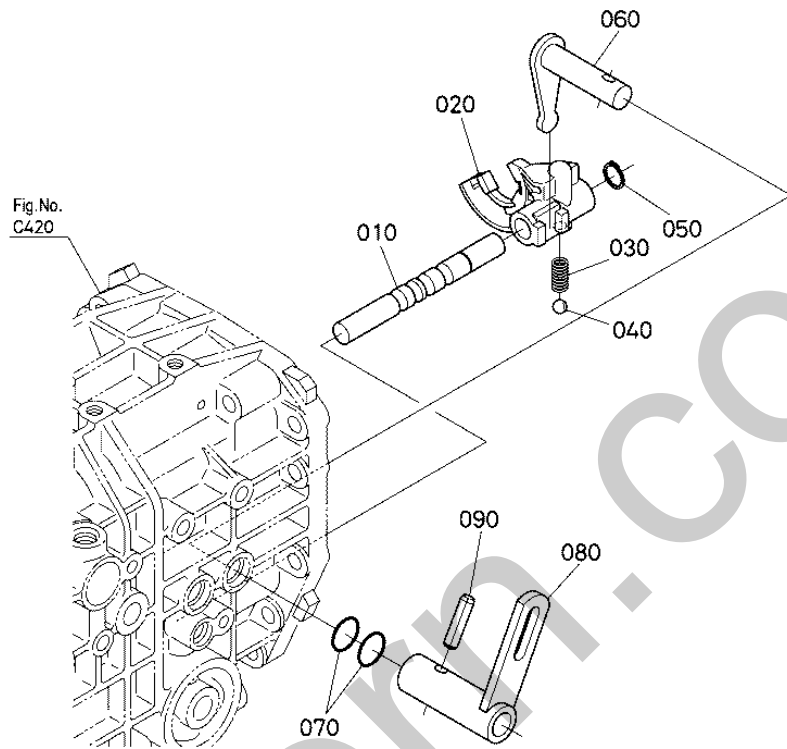
REAR DIFFERENTIAL

Ref	Part Number	Part Name	Qty	IC	S/N	Lbs	Remarks
010	6C040-14973	CASE DIFFERENTIAL	1			1.54	
020	67711-14912	SHAFT DIFF.PINION	1			0.308	
030	6C170-14923	GEAR BEVEL	2			0.242	12T
040	6C040-14930	GEAR DIFF.SIDE	2			0.363	14T
050	67211-15160	SHIM	2			0.022	1.0mm
050	67211-15170	SHIM	2			0.017	0.8mm
050	67211-15180	SHIM	2			0.022	1.2mm

REAR DIFFERENTIAL

Ref	Part Number	Part Name	Qty	IC	S/N	Lbs	Remarks
060	66591-14792	PIN KNOCK	1			0.006	
070	66591-14783	PIN STRAIGHT	1			0.022	
080	67810-56680	BOLT UBS	6			0.028	
090	08101-06009	BEARING BALL	1			0.484	
100	08101-06010	BEARING BALL	1			0.576	
110	66591-14980	SHIM DIFF.SIDE	1			0.011	0.5mm
110	66591-14990	SHIM DIFF.SIDE	1			0.004	0.2mm
120	66611-15140	SHIM DIFF.SIDE	1			0.013	0.5mm
120	66611-15150	SHIM DIFF.SIDE	1			0.004	0.2mm
130	04611-00750	CIR CLIP INTERNAL	1			0.041	
140	6A671-14940	SHAFT DIFF.GEAR LH	1			1.298	
150	6A671-14950	SHAFT DIFF.GEAR RH	1			1.496	
160	08101-06306	BEARING BALL	2			0.737	
170	6C200-97912	ASSY DIFFERENTIAL	1			9.24	
180	6C200-97920	ASSY GEAR BEVEL	1			4.598	

RANGE GEAR SHIFT FORK



6C200-046-12

RANGE GEAR SHIFT FORK

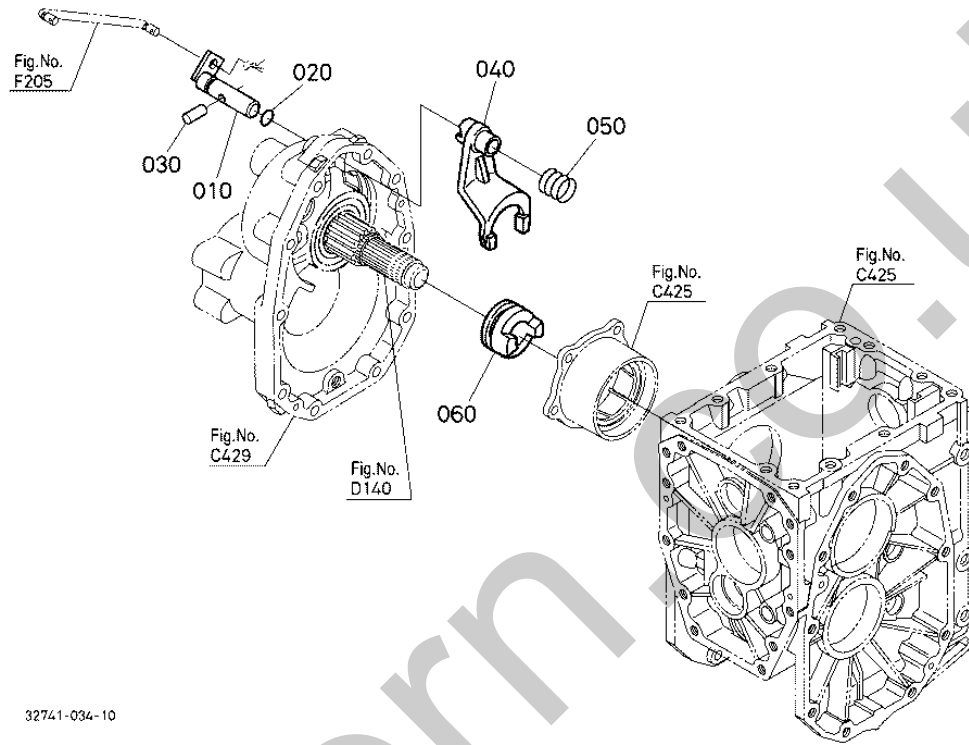
Ref	Part Number	Part Name	Qty	IC	S/N	Lbs	Remarks
010	6A700-18410	ROD FORK	1			0.33	
020	6C200-18422	FORK RANGE SHIFT	1			0.209	
030	62061-18260	SPRING STOPPER	1			0.004	
040	07715-01605	BALL	1			0.006	
050	04612-00140	CIR CLIP EXTERNAL	1			0.002	
060	6A700-18510	ARM RANGE SHIFT	1			0.308	
070	04816-00160	O RING	2			0.006	

RANGE GEAR SHIFT FORK

Ref	Part Number	Part Name	Qty	IC	S/N	Lbs	Remarks
080	6C200-18522	LEVER SHIFT ARM	1			0.528	
090	05411-00832	PIN SPRING	1			0.077	

Silverhorn.CO.UK

DIFFERENTIAL LOCK SHIFT FORK

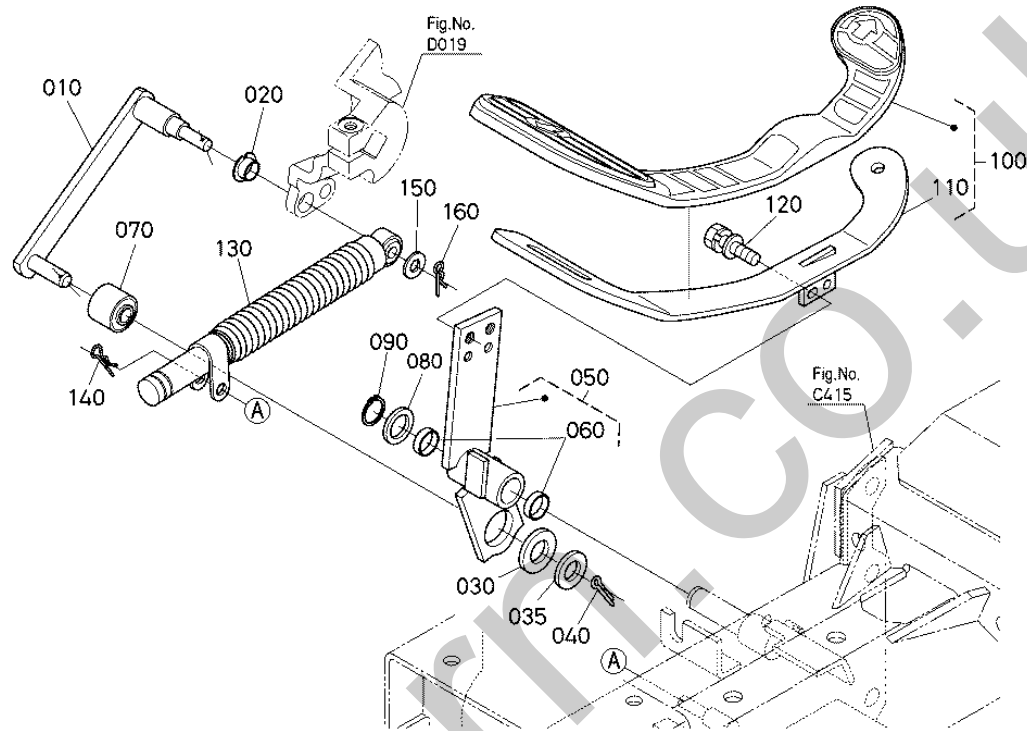


32741-034-10

DIFFERENTIAL LOCK SHIFT FORK

Ref	Part Number	Part Name	Qty	IC	S/N	Lbs	Remarks
010	32721-19120	ROD FORK	1			0.374	
020	04816-06120	O RING	1			0.004	
030	6A100-19130	PIN	1			0.037	
040	6C040-19110	FORK DIFF.LOCK SHIFT	1			0.484	
050	6A700-19130	SPRING	1			0.026	
060	66611-15130	CLUTCH DIFF.LOCK	1			0.44	

SPEED CONTROL PEDAL



32741-038-10

SPEED CONTROL PEDAL

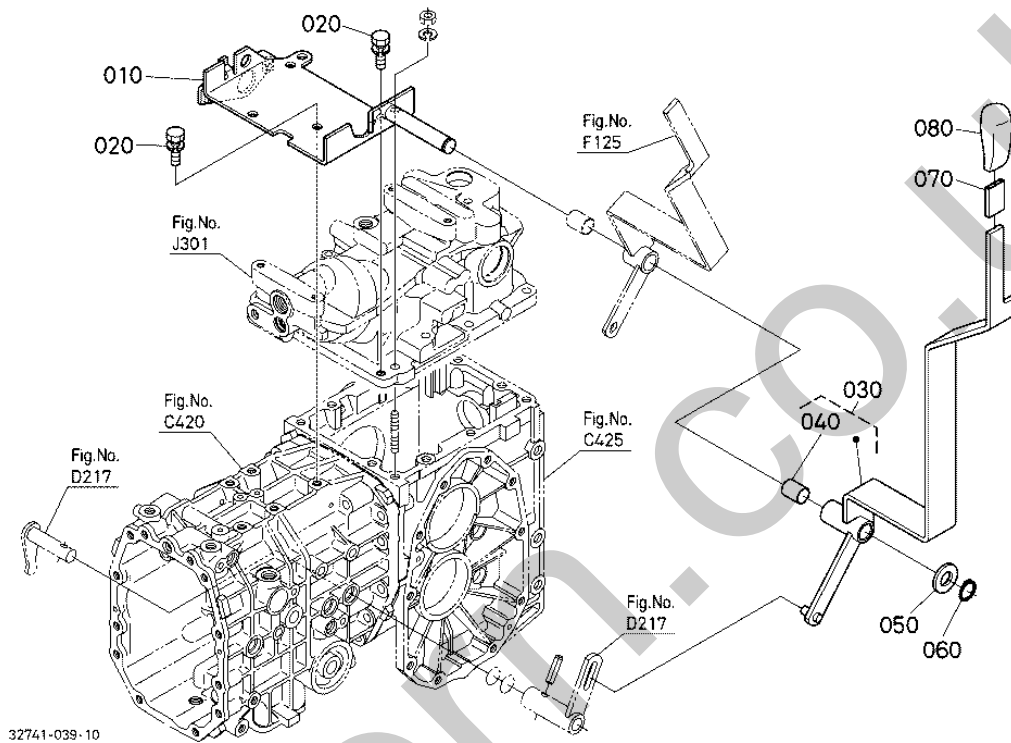
Ref	Part Number	Part Name	Qty	IC	S/N	Lbs	Remarks
010	6C200-18220	PLATE HST	1			0.484	
020	6A100-44680	BUSH	1			0.006	
030	04013-60140	WASHER PLAIN	1			0.022	
035	04013-60100	WASHER PLAIN	1			0.006	
040	05511-50320	PIN SPLIT	1			0.004	
050	32741-18200	ASSY LEVER HST	1			0	
060	08511-01610	BUSH	2			0.011	

SPEED CONTROL PEDAL

Ref	Part Number	Part Name	Qty	IC	S/N	Lbs	Remarks
070	6A000-12180	CUSHION RUBBER	1			0.079	
080	45403-41330	COLLAR DISTANCE	1			0.022	
090	04612-00160	CIR CLIP EXTERNAL	1			0.002	
100	TD060-55543	PEDAL HST CONTROL	1			2.64	
110	TD060-55113	PEDAL HST	1			1.837	
120	01125-60820	BOLT	2			0.033	
130	32721-43350	DAMPER HST	1			0.572	
140	05525-50800	PIN SNAP	1			0.002	
150	04013-60080	WASHER PLAIN	1			0.004	
160	05525-50800	PIN SNAP	1			0.002	

Silverhorn.co.uk

RANGE GEAR SHIFT LEVER



RANGE GEAR SHIFT LEVER

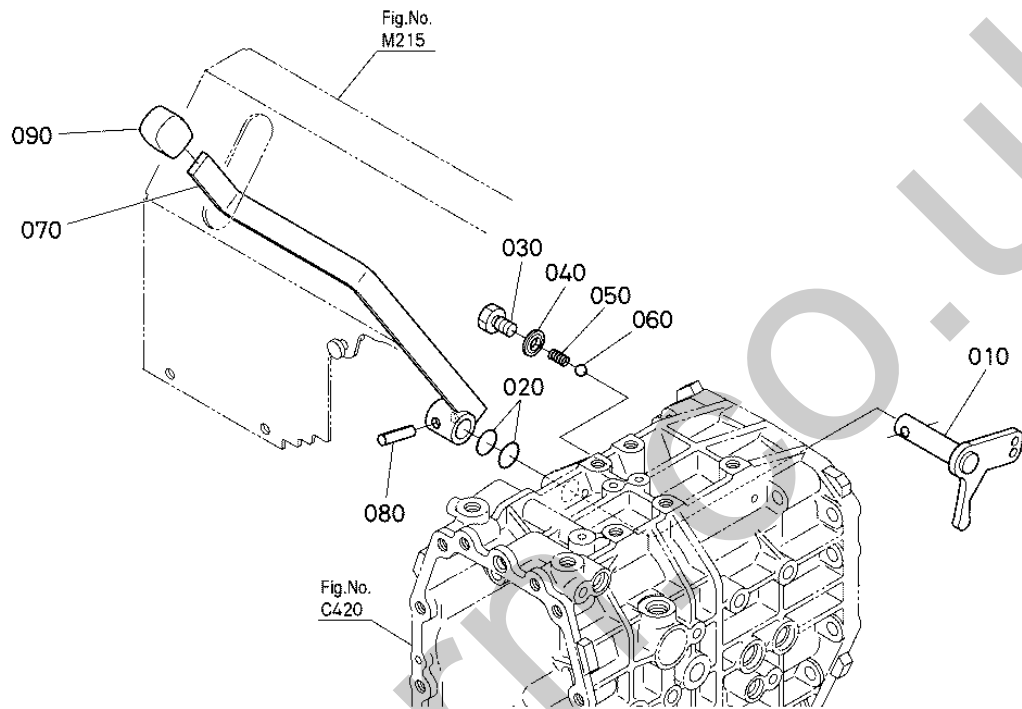
Ref	Part Number	Part Name	Qty	IC	S/N	Lbs	Remarks
010	6C200-11180	BRACKET	1			3.454	
020	01123-51025	BOLT	4			0.044	
030	32741-18502	LEVER RANGE SHIFT	1			0	
040	08511-01825	BUSH	1			0.022	
050	04013-50180	WASHER PLAIN	1			0.033	
060	04612-00180	CIR CLIP EXTERNAL	1			0.002	
070	6C040-42760	CUSHION	1			0.006	

RANGE GEAR SHIFT LEVER

Ref	Part Number	Part Name	Qty	IC	S/N	Lbs	Remarks
080	6A700-18352	GRIP	1			0.114	

Silverhorn.CO.UK

FRONT WHEEL DRIVE LEVER



32741-040-10

FRONT WHEEL DRIVE LEVER

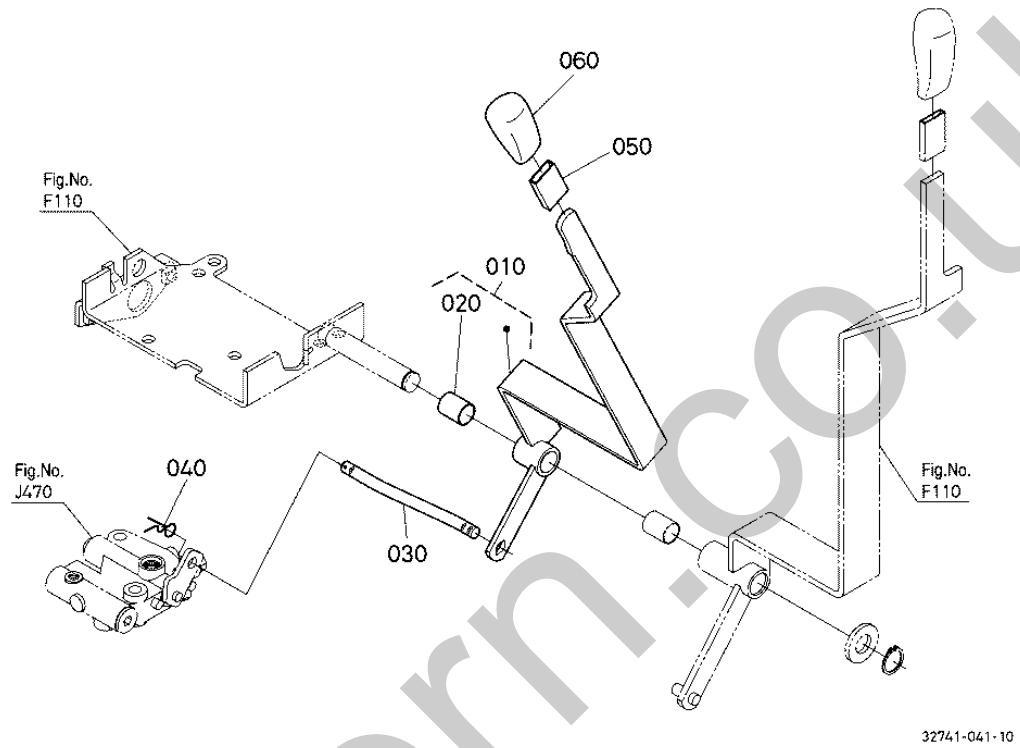
Ref	Part Number	Part Name	Qty	IC	S/N	Lbs	Remarks
010	6A700-19210	ARM 4WD SHIFT	1			0.44	
020	04816-00160	O RING	2			0.006	
030	6C040-19222	BOLT	1			0.033	
040	04717-01000	WASHER WITH RUBBER	1			0.002	
050	62061-18260	SPRING STOPPER	1			0.004	
060	07715-01605	BALL	1			0.006	
070	32741-18910	LEVER FWD	1			0	

FRONT WHEEL DRIVE LEVER

Ref	Part Number	Part Name	Qty	IC	S/N	Lbs	Remarks
080	05411-00832	PIN SPRING	1			0.077	
090	6A320-42630	GRIP LEVER	1			0.041	

Silverhorn.CO.UK

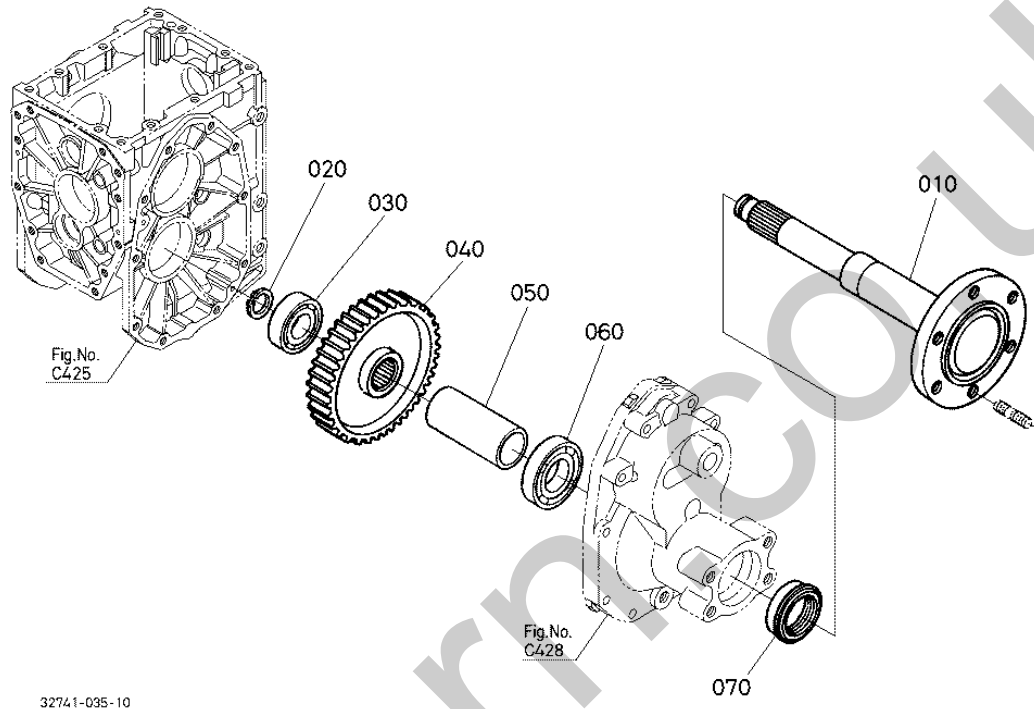
PTO GEAR SHIFT LEVER



PTO GEAR SHIFT LEVER

Ref	Part Number	Part Name	Qty	IC	S/N	Lbs	Remarks
010	32741-18800	ASSY LEVER PTO	1			0	
020	08511-01825	BUSH	1			0.022	
030	6C200-18830	ROD PTO	1			0.275	
040	05525-61000	PIN SNAP	1			0.004	
050	6C040-42760	CUSHION	1			0.006	
060	6C200-18790	GRIP	1			0.088	

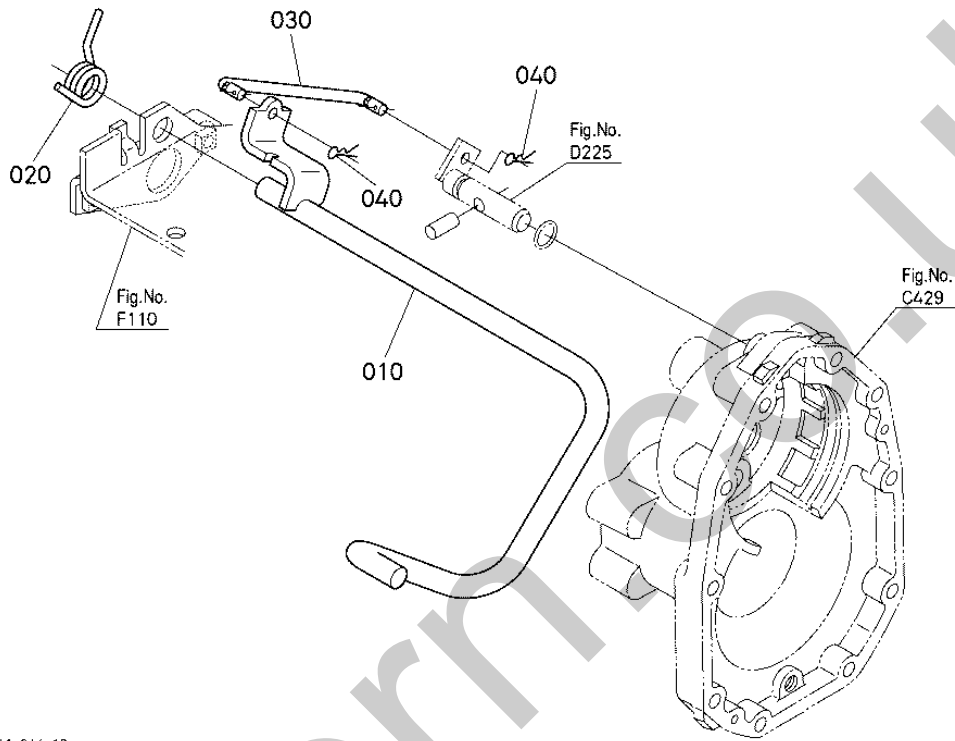
REAR AXLE



REAR AXLE

Ref	Part Number	Part Name	Qty	IC	S/N	Lbs	Remarks
010	32721-17113	SHAFT REAR AXLE	2			16.06	
020	04612-00300	CIR CLIP EXTERNAL	2			0.006	
030	08101-06306	BEARING BALL	2			0.737	
040	6A600-17130	GEAR	2			6.314	58T
050	6C040-17140	COLLAR	2			0.572	
060	6A700-16590	BEARING BALL	2			0.792	
070	32721-17150	SEAL OIL	2			0.154	

DIFFERENTIAL LOCK PEDAL

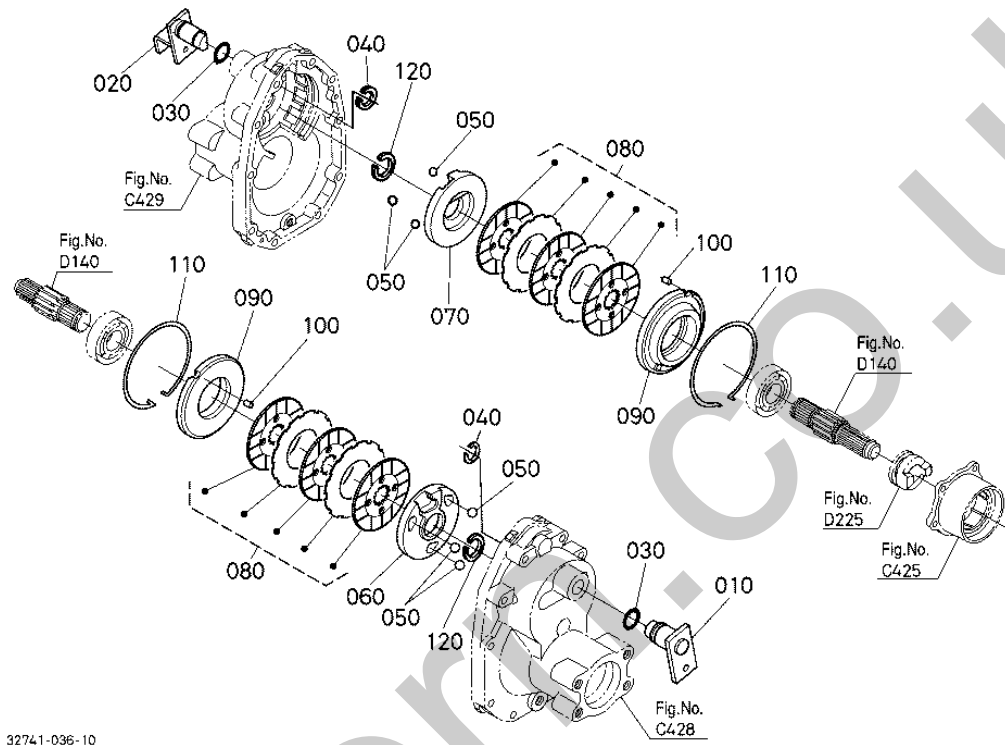


32741-044-10

DIFFERENTIAL LOCK PEDAL

Ref	Part Number	Part Name	Qty	IC	S/N	Lbs	Remarks
010	32741-42413	PEDAL DIFF.LOCK	1			0	
020	6C050-42890	SPRING	1			0.088	
030	6C200-42440	ROD DIFF.LOCK	1			0.176	
040	05525-50800	PIN SNAP	2			0.002	

BRAKE



32741-036-10

BRAKE

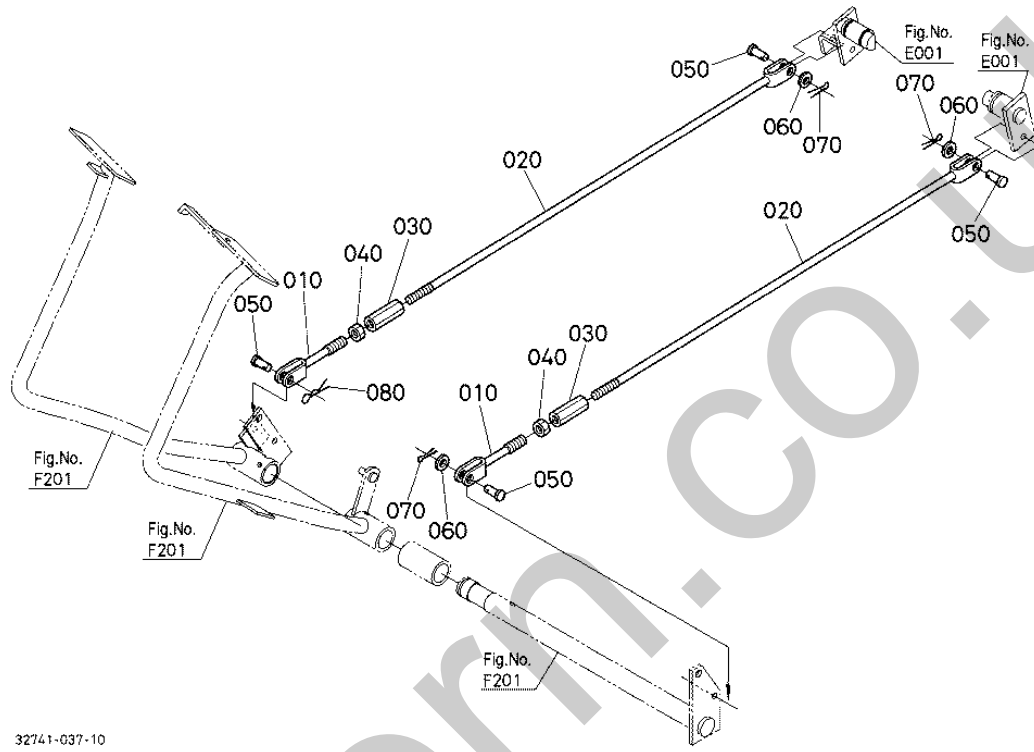
Ref	Part Number	Part Name	Qty	IC	S/N	Lbs	Remarks
010	6A600-22360	LEVER CAM LH	1			0.682	
020	32741-22460	LEVER CAM RH	1			0	
030	04816-00210	O RING	2			0.008	
040	67061-14370	CIR-CLIP	2			0.004	
050	07715-00805	BALL	6			0.035	
060	6A320-22320	ACTUATOR LH	1			1.408	
070	6A320-22420	ACTUATOR RH	1			1.386	

BRAKE

Ref	Part Number	Part Name	Qty	IC	S/N	Lbs	Remarks
080	6A700-22300	ASSY BRAKE	2			1.65	
090	6C170-22380	HOLDER BEARING	2			2.2	
100	6C040-22440	PIN	2			0.008	
110	6C070-22390	CIR-CLIP INTERNAL	2			0.088	
120	70435-51590	CIR-CLIP	2			0.004	

Silverhorn.CO.UK

BRAKE ROD



BRAKE ROD

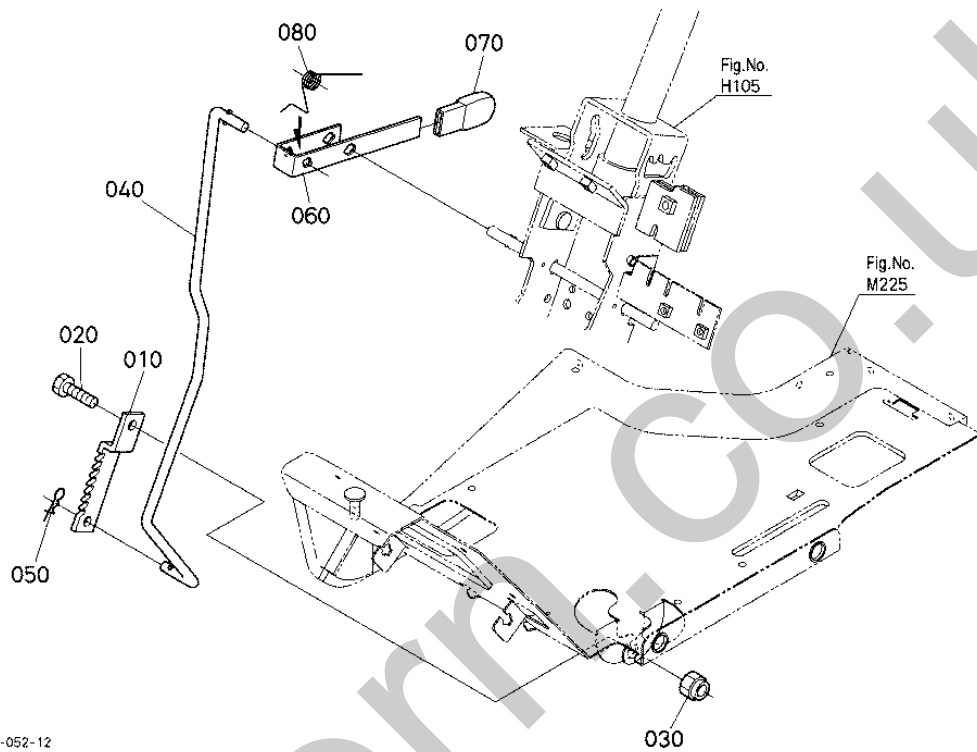
Ref	Part Number	Part Name	Qty	IC	S/N	Lbs	Remarks
010	6C200-42370	ROD BRAKE FRONT	2			0.151	
020	6A600-42360	ROD BRAKE REAR	2			0.396	
030	66591-42410	TURNBUCKLE	2			0.101	
040	02114-50080	NUT	2			0.011	
050	05122-50822	PIN JOINT	4			0.022	
060	04013-60080	WASHER PLAIN	3			0.004	
070	05511-50218	PIN SPLIT	3			0.002	

BRAKE ROD

Ref	Part Number	Part Name	Qty	IC	S/N	Lbs	Remarks
080	05525-50800	PIN SNAP	1			0.002	

Silverhorn.CO.UK

PARKING BRAKE LEVER



6C200-052-12

PARKING BRAKE LEVER

Ref	Part Number	Part Name	Qty	IC	S/N	Lbs	Remarks
010	6C200-42250	PLATE BRAKE LOCK	1			0.160	
020	01153-50816	BOLT	1			0.022	
030	50591-62370	NUT	1			0.011	
040	6C200-42263	ROD PARKING	1			0.484	
050	52300-34120	PIN SNAP	1			0.002	
060	6A700-42270	LEVER BRAKE	1	>>	>=50478	0.22	
060	6A700-42290	LEVER BRAKE	1		<=50477	0.242	ORDER BY REF.No.06

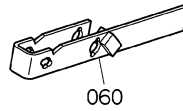
PARKING BRAKE LEVER

Ref	Part Number	Part Name	Qty	IC	S/N	Lbs	Remarks
070	6C040-41360	GRIP LEVER	1			0.026	
080	6C040-41380	SPRING RETURN	1			0.017	

Silverhorn.CO.UK

PARKING BRAKE LEVER

OLD PARTS

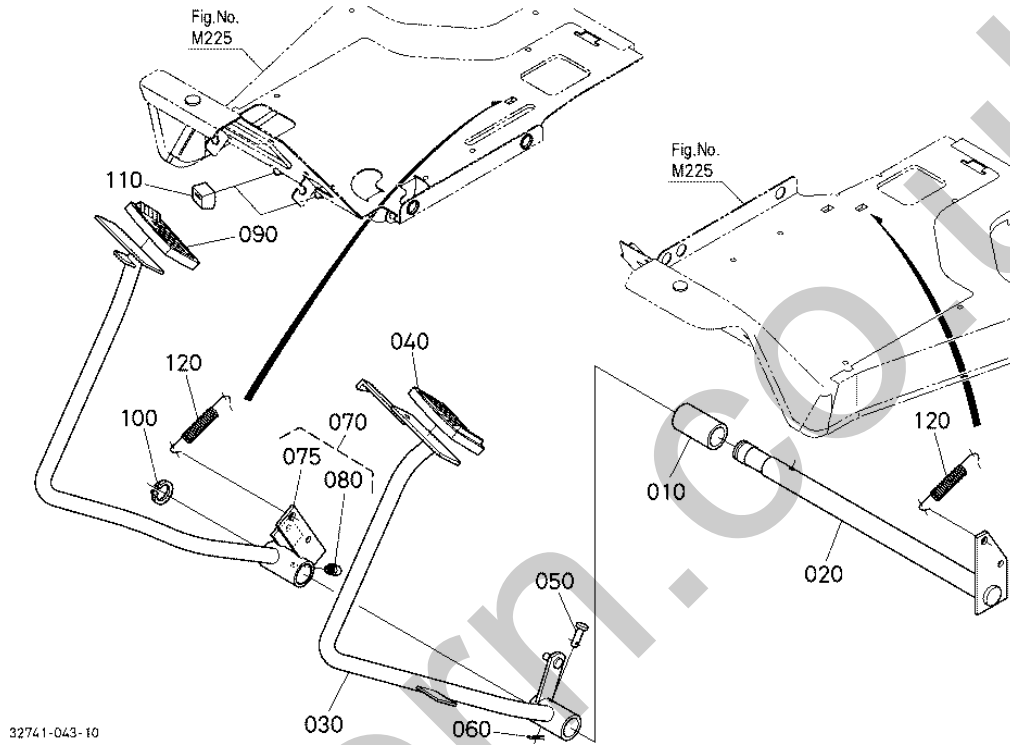


32741-804-10

PARKING BRAKE LEVER

Ref	Part Number	Part Name	Qty	IC	S/N	Lbs	Remarks
060	6A700-42270	LEVER BRAKE	1	>>	>=50478	0.22	
060	6A700-42290	LEVER BRAKE	1		<=50477	0.242	ORDER BY REF.No.06

BRAKE PEDAL



32741-043-10

BRAKE PEDAL

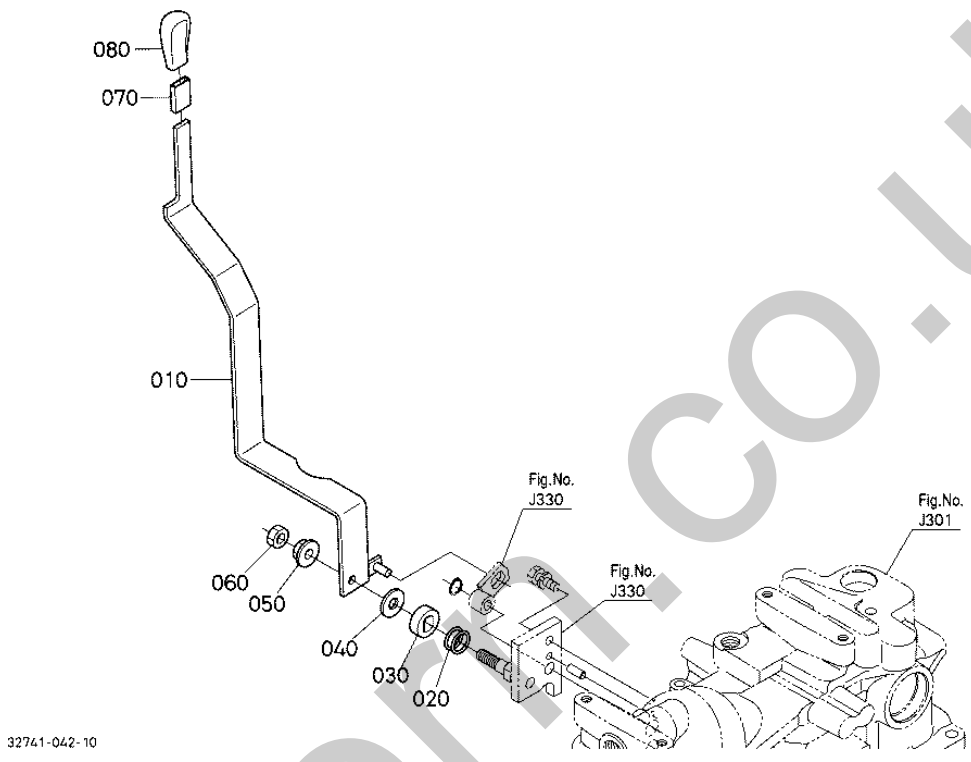
Ref	Part Number	Part Name	Qty	IC	S/N	Lbs	Remarks
010	6C200-42130	PIPE PEDAL	1			0.44	
020	6C200-42310	SHAFT PEDAL	1			3.96	
030	6C200-42322	PEDAL BRAKE LH	1			3.96	
040	T2050-44120	COVER PEDAL	1			0.154	
050	05122-50840	PIN JOINT	1			0.037	
060	05511-50218	PIN SPLIT	1			0.002	
070	32741-42352	ASSY PEDAL BRAKE RH	1			0	

BRAKE PEDAL

Ref	Part Number	Part Name	Qty	IC	S/N	Lbs	Remarks
075	32741-42330	PEDAL BRAKE RH	1			0	ORDER BY REF.No.07
080	6A320-42170	NIPPLE GREASE	1			0.011	
090	T2050-44120	COVER PEDAL	1			0.154	
100	04612-00240	CIR CLIP EXTERNAL	1			0.004	
110	6A320-42160	CUSHION	2			0.026	
120	66621-43270	SPRING BRAKE RETURN	2			0.088	

Silverhorn.CO.UK

POSITION CONTROL LEVER



POSITION CONTROL LEVER

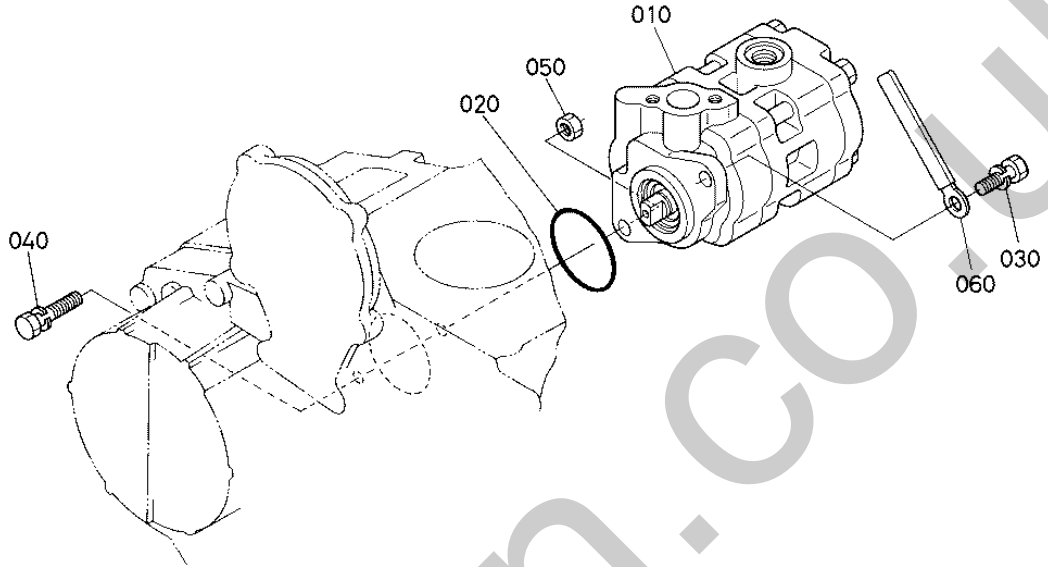
Ref	Part Number	Part Name	Qty	IC	S/N	Lbs	Remarks
010	32741-38210	LEVER POSITION	1			0	
020	6C200-38260	SPRING LEVER	1			0.026	
030	6C200-38250	COLLAR	1			0.077	
040	PA401-46640	PLATE FRICTION	1			0.055	
050	02131-50100	NUT	1			0.022	
060	02118-50100	NUT	1			0.011	
070	6C040-42760	CUSHION	1			0.006	

POSITION CONTROL LEVER

Ref	Part Number	Part Name	Qty	IC	S/N	Lbs	Remarks
080	6A700-38242	GRIP	1			0.121	

Silverhorn.CO.UK

HYDRAULIC PUMP

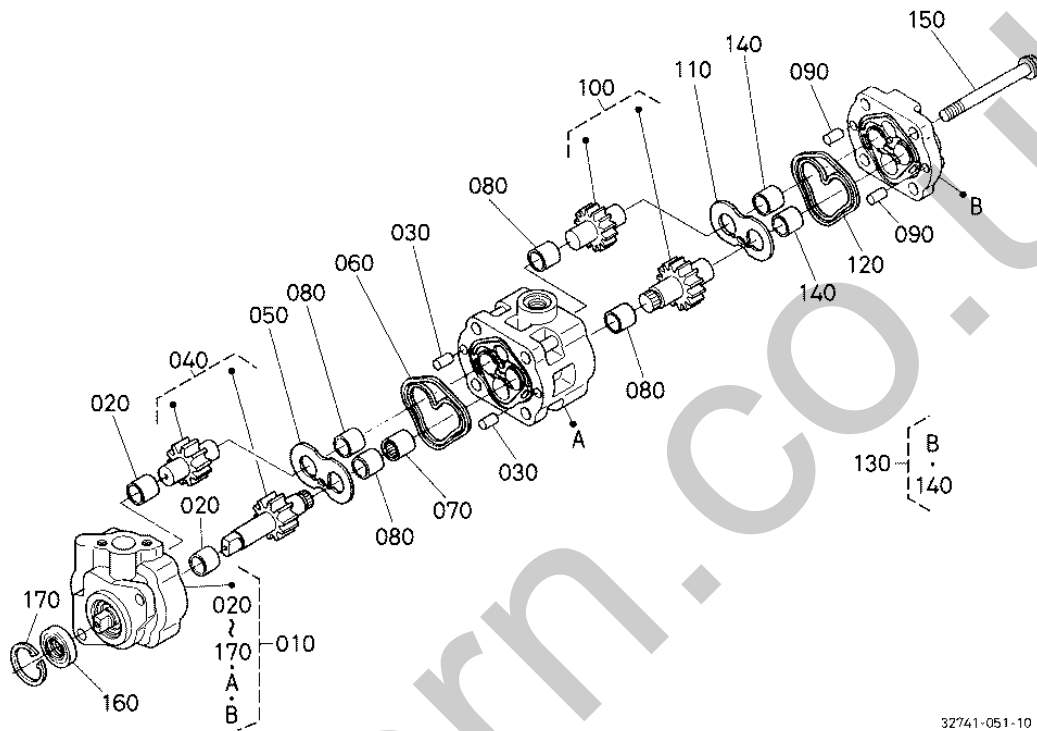


32741-050-10

HYDRAULIC PUMP

Ref	Part Number	Part Name	Qty	IC	S/N	Lbs	Remarks
010	32741-37300	ASSY PUMP HYDRAULIC	1			0	
020	04811-10460	O RING	1			0.004	
030	01123-50825	BOLT	1			0.028	
040	01123-50835	BOLT	1			0.044	
050	02056-50080	NUT	1			0.011	
060	13824-67590	CLAMP CORD	1			0.004	

HYDRAULIC PUMP [COMPONENT PARTS]



32741-051-10

HYDRAULIC PUMP [COMPONENT PARTS]

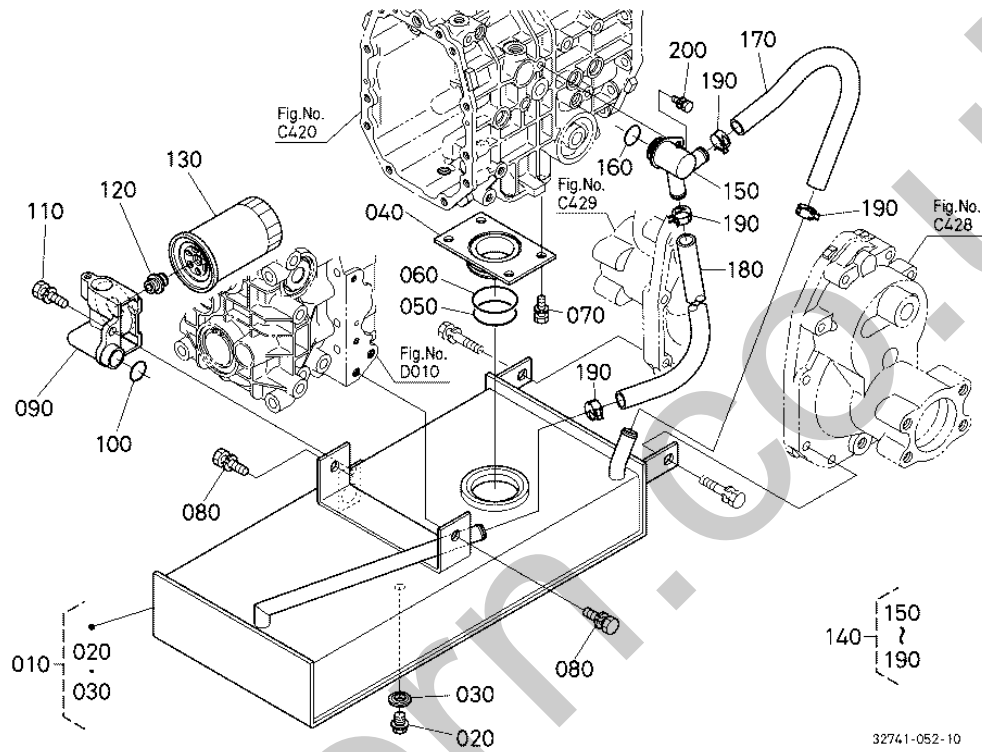
Ref	Part Number	Part Name	Qty	IC	S/N	Lbs	Remarks
010	32741-37300	ASSY PUMP HYDRAULIC	1			0	
020	6A100-37232	BUSH	2			0.011	
030	05014-00816	PIN STRAIGHT	2			0.011	
040	6C070-36390	COMP.GEAR HYD.PUMP	1			0.66	
050	6C140-36350	PLATE SIDE	1			0.11	
060	6C040-36344	RING DOUBLE	1			0.006	
070	6A100-37430	COUPLING	1			0.022	

HYDRAULIC PUMP [COMPONENT PARTS]

Ref	Part Number	Part Name	Qty	IC	S/N	Lbs	Remarks
080	6A100-37232	BUSH	4			0.011	
090	05014-00816	PIN STRAIGHT	2			0.011	
100	T1060-36550	COMP.GEAR HYD.PUMP	1			0.44	
110	6C140-36350	PLATE SIDE	1			0.11	
120	6C040-36344	RING DOUBLE	1			0.006	
130	6C140-37400	COMP.COVER	1			0.506	
140	6A100-37232	BUSH	2			0.011	
150	01754-51090	BOLT FLANGE	4			0.11	
160	31381-76390	SEAL OIL	1			0.022	
170	04611-00300	CIR CLIP INTERNAL	1			0.008	

Silverhorn.co.uk

OIL TANK



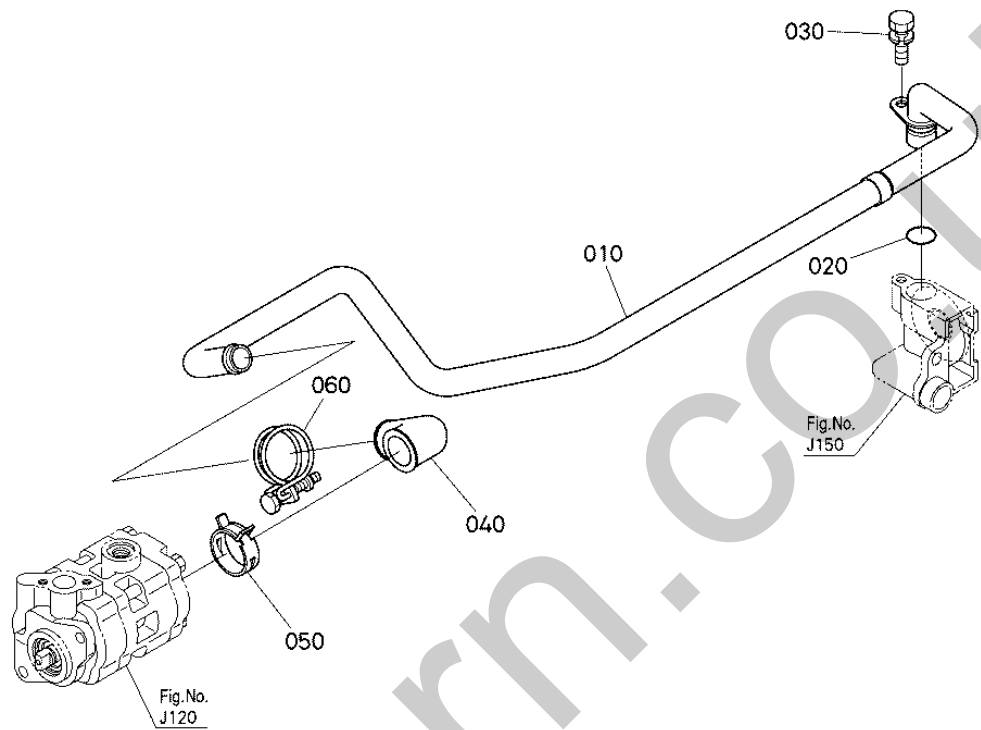
OIL TANK

Ref	Part Number	Part Name	Qty	IC	S/N	Lbs	Remarks
010	32741-39702	ASSY TANK OIL	1			0	
020	06331-45012	PLUG	1			0.061	
030	04717-01200	WASHER WITH RUBBER	1			0.004	
040	32741-39710	PLATE OIL TANK	1			0	
050	04816-00500	O RING	1			0.006	
060	04811-07530	O RING	1			0.002	
070	01123-51025	BOLT	4			0.044	

OIL TANK

Ref	Part Number	Part Name	Qty	IC	S/N	Lbs	Remarks
080	01123-51230	BOLT	2			0.088	
090	6C200-12630	BRACKET FILTER	1			0.572	
100	04811-10250	O RING	1			0.002	
110	01133-51020	BOLT	1			0.044	
120	38240-37780	JOINT SCREW	1			0.066	
130	67955-37710	CARTRIDGE OIL FILTER	1			0.858	
140	32741-39733	ASSY JOINT BREATHER	1			0	
150	32741-39770	JOINT BREATHER	1			0	
160	04816-50250	O RING	1			0.008	
170	32741-39743	HOSE BREATHER REAR	1			0	
180	32741-39753	HOSE BREATHER FRONT	1			0	
190	09318-88200	CLAMP HOSE	4			0.008	
200	01123-60816	BOLT	1			0.022	

HYDRAULIC OIL LINE(SUCTION)

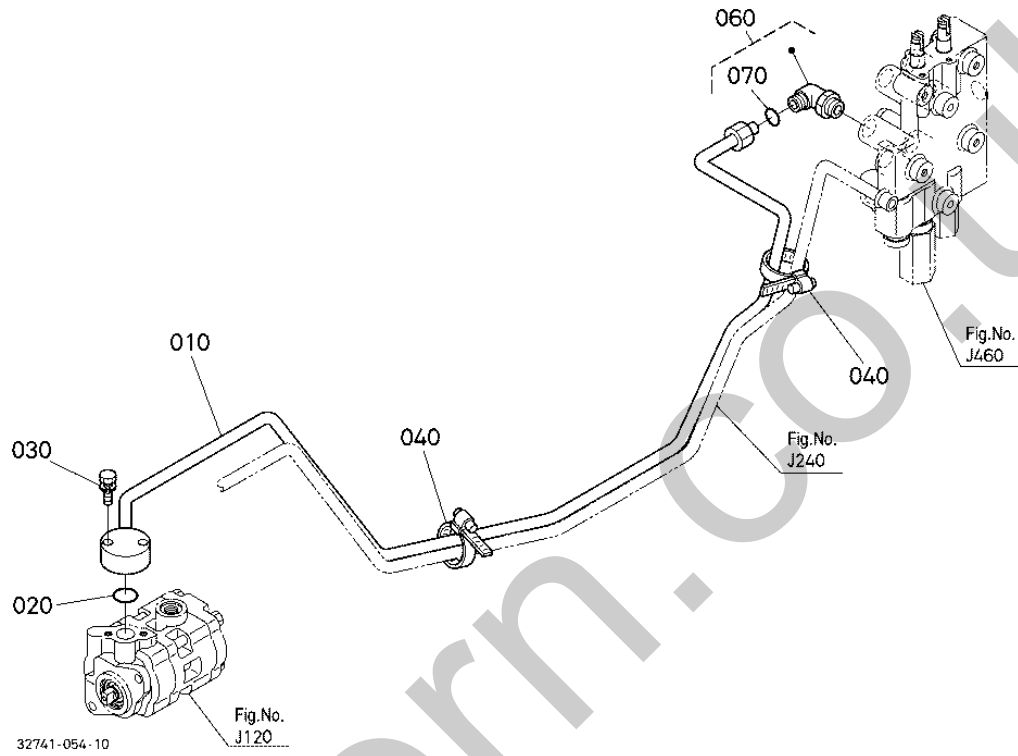


32741-053-10

HYDRAULIC OIL LINE(SUCTION)

Ref	Part Number	Part Name	Qty	IC	S/N	Lbs	Remarks
010	32741-39112	PIPE SUCTION	1			0	
020	04816-00200	O RING	1			0.006	
030	01123-60816	BOLT	1			0.022	
040	32741-39150	HOSE SUCTION	1			0	
050	16241-72970	BAND PIPE	1			0.033	
060	67980-58640	CLAMP HOSE	1			0.044	

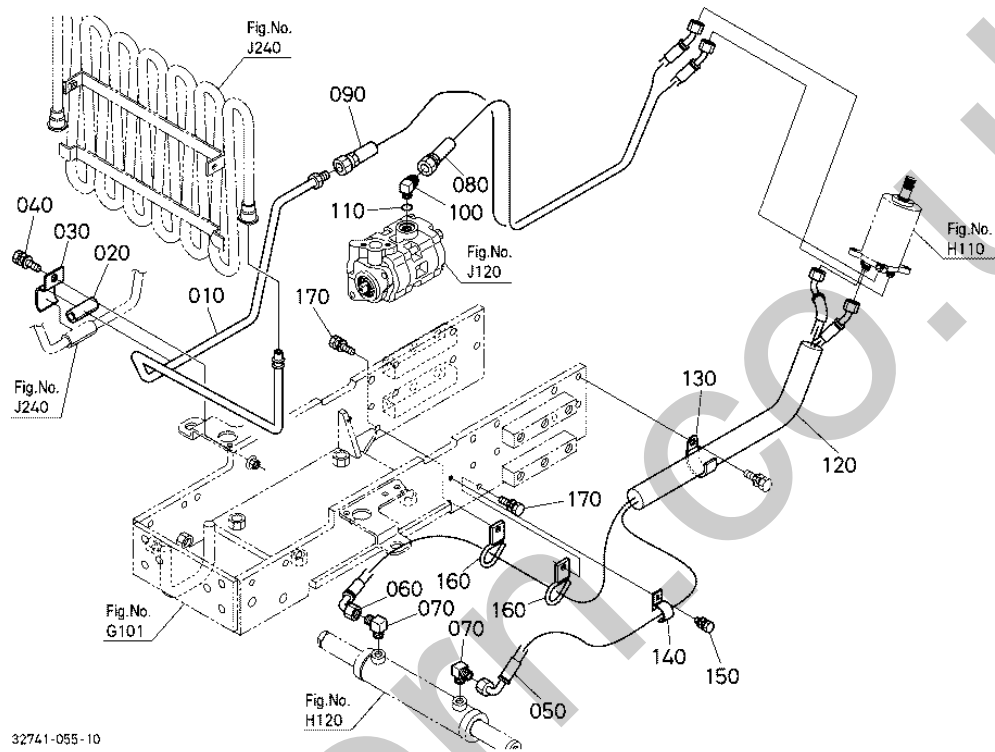
HYDRAULIC OIL LINE(DELIVERY)



HYDRAULIC OIL LINE(DELIVERY)

Ref	Part Number	Part Name	Qty	IC	S/N	Lbs	Remarks
010	32741-39210	PIPE	1			0	
020	04817-00200	O RING	1			0.024	
030	01123-50835	BOLT	2			0.044	
040	67955-36230	CLAMP	2			0.050	
060	32741-39232	JOINT	1			0	
070	68011-62220	O RING	1			0.002	

HYDRAULIC OIL LINE(STEERING)



HYDRAULIC OIL LINE(STEERING)

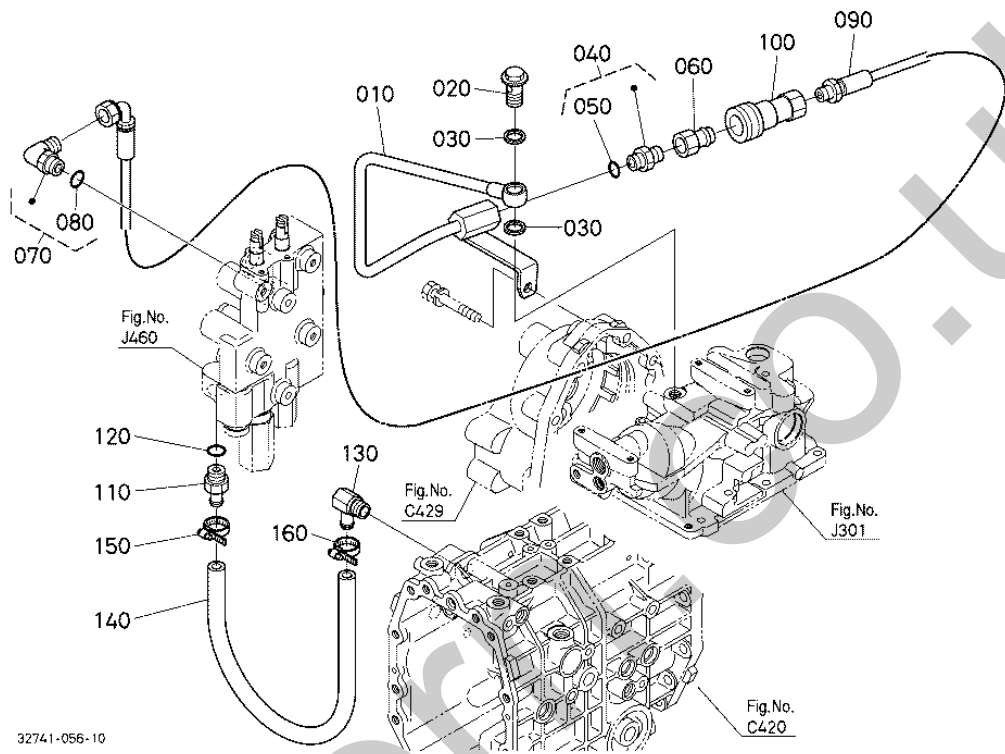
Ref	Part Number	Part Name	Qty	IC	S/N	Lbs	Remarks
010	32741-39322	PIPE	1			0	
020	6C140-39250	CUSHION	1			0.030	
030	6C200-39240	CLAMP	1			0.165	
040	01135-51030	BOLT	1			0.066	
050	6C200-57512	HOSE HYDRAULIC	1			0.726	
060	6C200-57523	HOSE HYDRAULIC	1			0.99	
070	06114-52023	JOINT	2			0.11	

HYDRAULIC OIL LINE(STEERING)

Ref	Part Number	Part Name	Qty	IC	S/N	Lbs	Remarks
080	32741-57530	HOSE HYDRAULIC STEE.	1			0	
090	32741-57540	HOSE OUT STEERING	1			0	
100	06115-52023	JOINT	1			0.132	
110	04816-00110	O RING	1			0.002	
120	6C200-57552	TUBE GUARD	1			0.11	
130	12234-67580	CLAMP CORD	1			0.026	
140	52200-41160	CLAMP CORD	1			0.022	
150	01125-60816	BOLT	1			0.022	
160	6C200-57570	HOLDER HOSE	2			0.127	
170	01123-50820	BOLT	2			0.024	

Silverhorn.co.uk

HYDRAULIC OIL LINE(BACKHOE)



HYDRAULIC OIL LINE(BACKHOE)

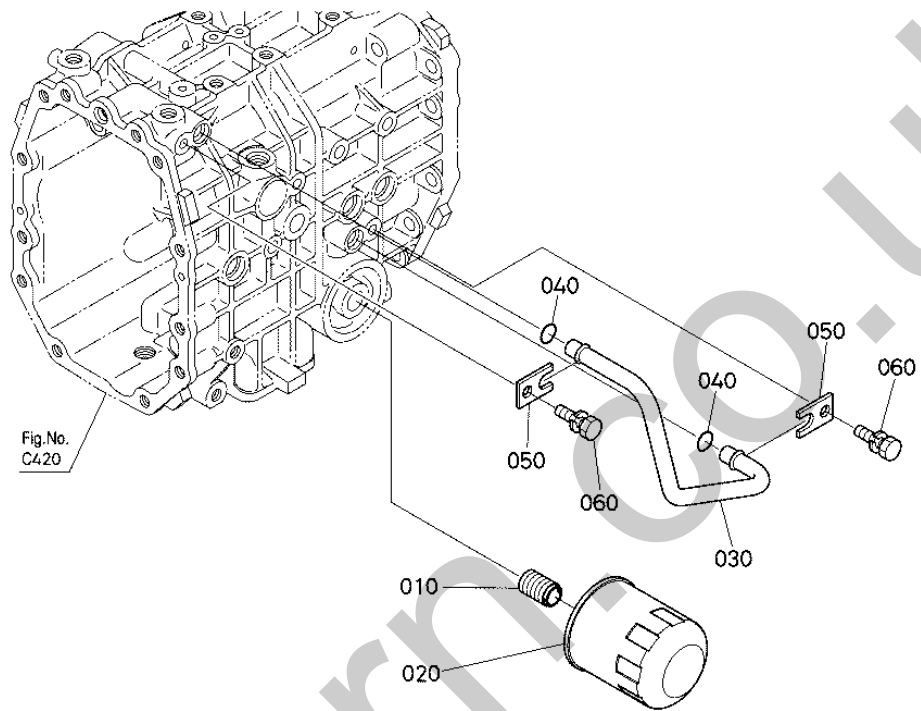
Ref	Part Number	Part Name	Qty	IC	S/N	Lbs	Remarks
010	32741-39250	PIPE BH-HC	1			0	
020	6A320-39292	BOLT JOINT	1			0.132	
030	67111-37180	GASKET	2			0.006	
040	7J243-61850	ASSY ADAPTER	1			0.11	
050	75540-61820	O-RING	1			0.002	
060	75540-66220	NIPPLE	1			0.132	
070	75560-61950	ASSY ELBOW 2 ADJUSTA	1			0.308	

HYDRAULIC OIL LINE(BACKHOE)

Ref	Part Number	Part Name	Qty	IC	S/N	Lbs	Remarks
080	75540-61820	O-RING	1			0.002	
090	75565-66512	HOSE HYDRAULIC	1	>>	>=50033	0.682	
090	75565-66510	HOSE HYDRAULIC	1		<=50032	0.682	ORDER BY REF.No.09
100	75540-66320	COUPLER	1			0.506	
110	PP501-75540	PLUG	1			0.143	
120	68011-62220	O RING	1			0.002	
130	EG283-45850	JOINT	1			0.132	
140	45521-75580	PIPE RETURN	1			0.198	
150	6C050-58750	CLAMP HOSE	1			0.044	
160	6C050-58750	CLAMP HOSE	1			0.044	

Silverhorn.co.uk

HYDRAULIC OIL LINE (HST)



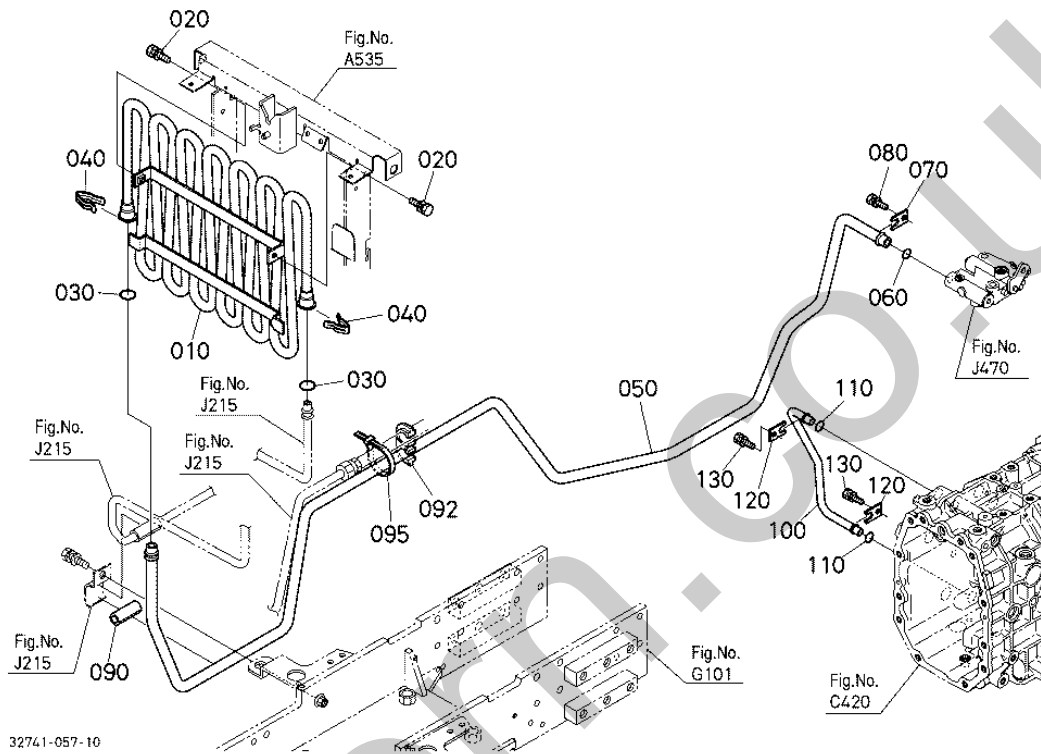
6C200-081-12

HYDRAULIC OIL LINE (HST)

Ref	Part Number	Part Name	Qty	IC	S/N	Lbs	Remarks
010	66204-36170	JOINT FILTER	1			0.039	
020	HH660-36060	CARTRIDGE OIL FILTER	1	>>		0.858	
020	66021-36060	CARTRIDGE OIL FILTER	1			0.858	
030	6C200-39640	PIPE	1			0.242	
040	04816-00120	O RING	2			0.002	
050	6A710-39670	STOPPER	2			0.044	
060	01123-60816	BOLT	2			0.022	

Silverhorn.CO.UK

HYDRAULIC OIL LINE (OIL COOLER)



HYDRAULIC OIL LINE (OIL COOLER)

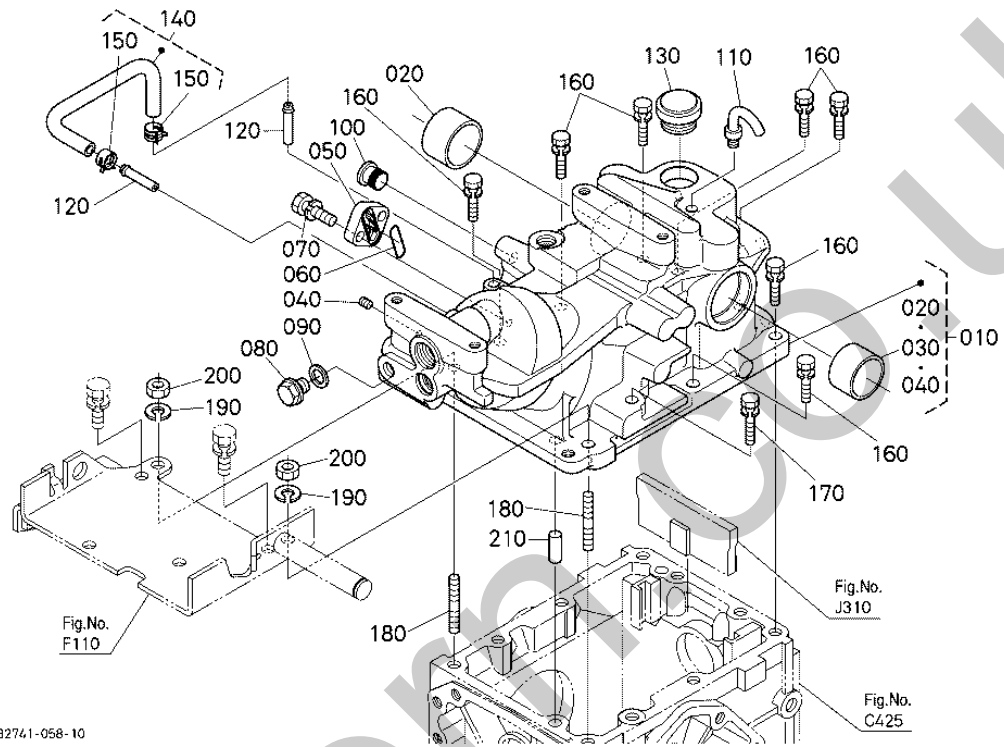
Ref	Part Number	Part Name	Qty	IC	S/N	Lbs	Remarks
010	6A710-39610	PIPE OIL COOLER	1			3.74	
020	01123-60816	BOLT	2			0.022	
030	04816-00120	O RING	2			0.002	
040	6A710-39660	SUPRING PLATE	2			0.022	
050	32741-39622	PIPE	1			0	
060	04816-00120	O RING	1			0.002	
070	6A710-39670	STOPPER	1			0.044	

HYDRAULIC OIL LINE (OIL COOLER)

Ref	Part Number	Part Name	Qty	IC	S/N	Lbs	Remarks
080	01123-60816	BOLT	1			0.022	
090	6C140-39250	CUSHION	1			0.030	
092	3F740-63200	CLAMP	1			0.006	
095	53581-64150	BAND CORD	1			0.004	
100	6C200-39630	PIPE	1			0.264	
110	04816-00120	O RING	2			0.002	
120	6A710-39670	STOPPER	2			0.044	
130	01123-60816	BOLT	2			0.022	

Silverhorn.CO.UK

HYDRAULIC CYLINDER



32741-058-10

HYDRAULIC CYLINDER

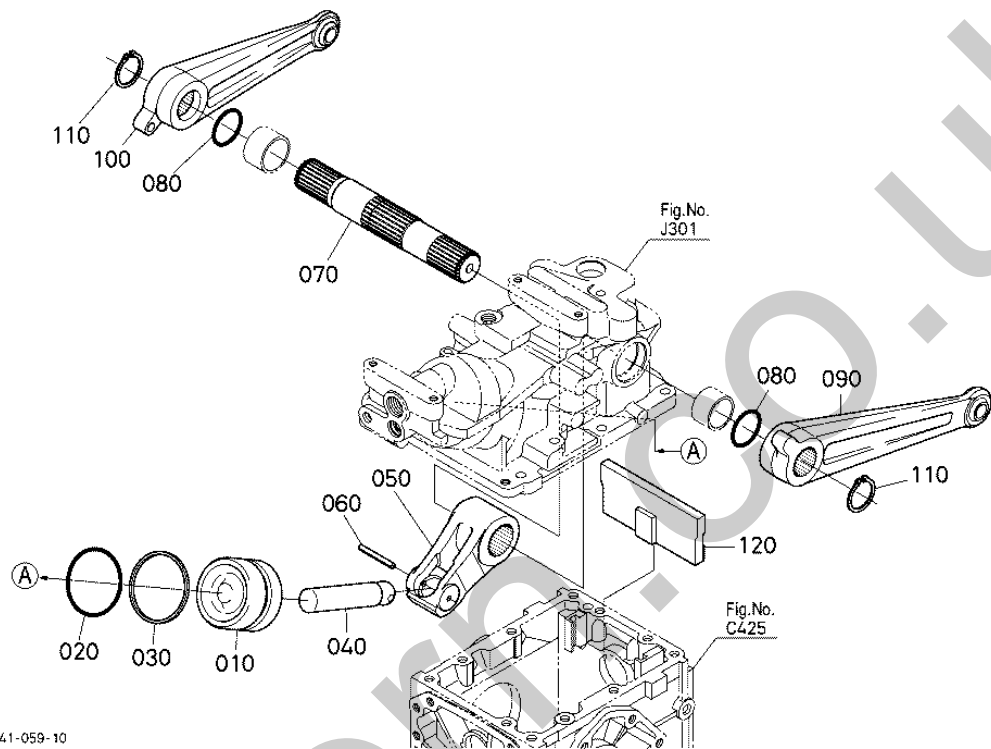
Ref	Part Number	Part Name	Qty	IC	S/N	Lbs	Remarks
010	32741-36030	ASSY CASE CYLINDER	1			0	
020	6C040-36480	BUSH	1			0.044	
030	6A671-36490	BUSH	1			0.088	
040	32701-36150	PLUG	1			0.011	
050	6C040-36620	CAP	1			0.048	
060	37410-36630	O RING	1			0.002	
070	01123-50820	BOLT	2			0.024	

HYDRAULIC CYLINDER

Ref	Part Number	Part Name	Qty	IC	S/N	Lbs	Remarks
080	37150-36730	PLUG	1			0.066	
090	37150-36720	GASKET	1			0.022	
100	TA040-36650	PLUG	1			0.011	
110	6A100-36410	BREATHER	1			0.013	
120	6C050-13190	JOINT PIPE	2			0.013	
130	6A100-36420	PLUG OIL FILLER	1			0.039	
140	6A700-36190	ASSY HOSE SAFETY	1			0.059	
150	14911-42750	CLIP PIPE	2			0.004	
160	01123-51045	BOLT	7			0.070	
170	01123-51055	BOLT	1			0.083	
180	01555-51035	STUD	2			0.063	
190	04512-60100	WASHER SPRING	2			0.004	
200	02176-50100	NUT	2			0.011	
210	05012-01025	PIN STRAIGHT	1			0.035	

Silverhorn.co.uk

HYDRAULIC PISTON/LIFT ARM



32741-059-10

HYDRAULIC PISTON/LIFT ARM

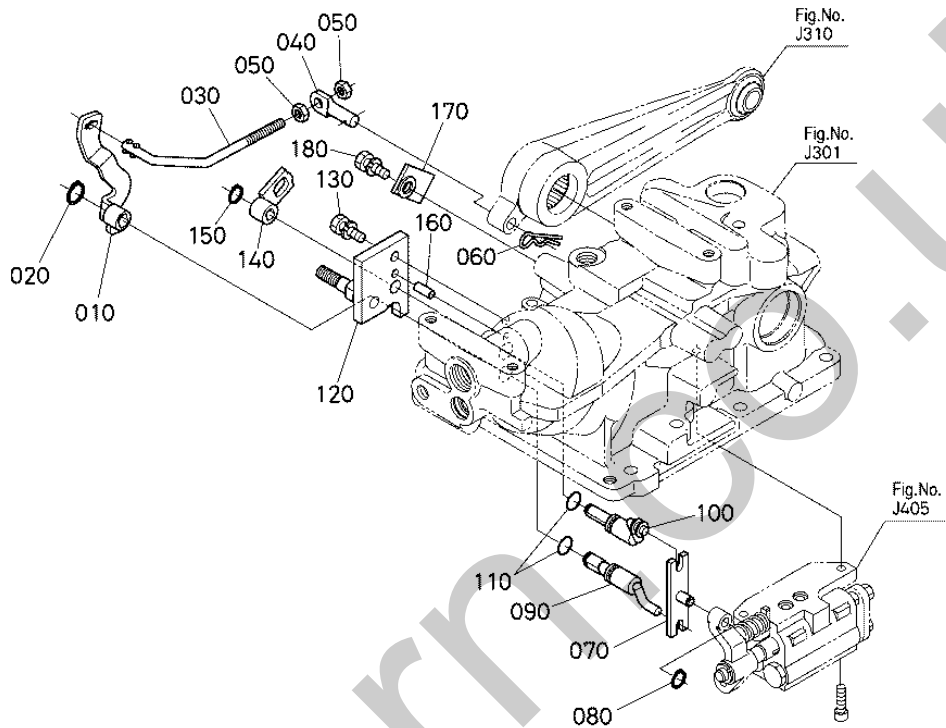
Ref	Part Number	Part Name	Qty	IC	S/N	Lbs	Remarks
010	31321-37310	PISTON HYD.	1			2.376	
020	04811-00650	O RING	1			0.015	
030	6A671-36250	RING BACK UP	1			0.008	
040	6A700-36430	ROD HYD.PISTON	1			1.056	
050	6A700-36454	ARM HYDRAULIC	1			2.772	
060	05411-00650	PIN SPRING	1			0.013	
070	6C200-36470	SHAFT HYD.ARM	1			4.07	

HYDRAULIC PISTON/LIFT ARM

Ref	Part Number	Part Name	Qty	IC	S/N	Lbs	Remarks
080	37410-36340	O RING	2			0.011	
090	6A700-36510	ARM LIFT LH	1			4.84	
100	6A700-36520	ARM LIFT RH	1			4.84	
110	04612-00350	CIR CLIP EXTERNAL	2			0.022	
120	6C200-36750	STOPPER	1			0.88	

Silverhorn.co.uk

FEED BACK LEVER



32741-060-10

FEED BACK LEVER

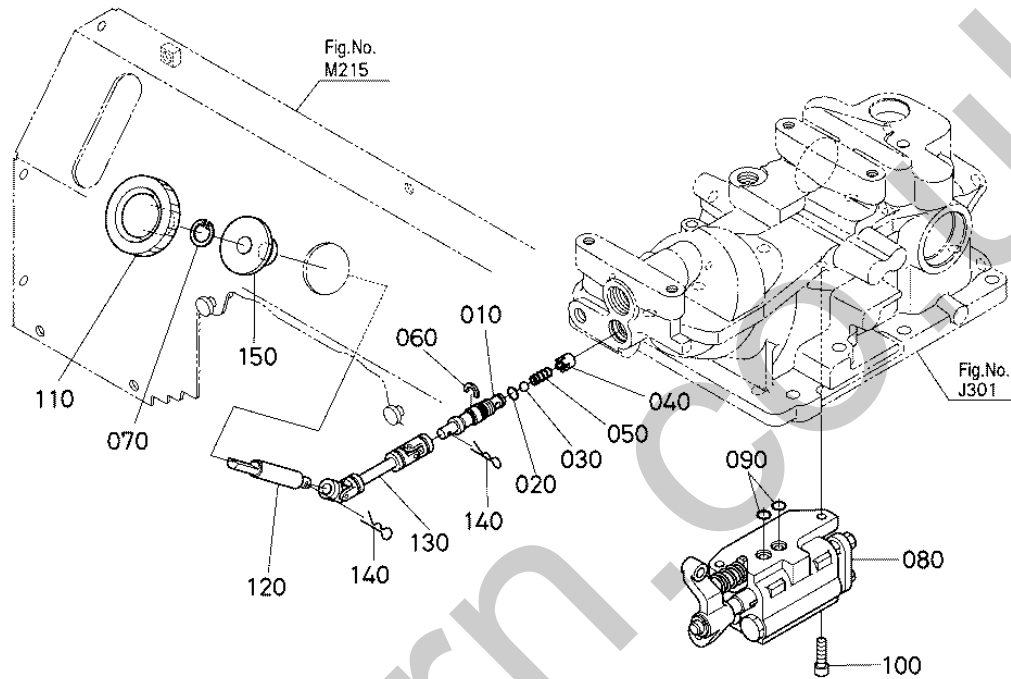
Ref	Part Number	Part Name	Qty	IC	S/N	Lbs	Remarks
010	6C200-36250	ARM FEED BACK	1			0.242	
020	04612-00120	CIR CLIP EXTERNAL	1			0.002	
030	6C200-36230	ROD FEED BACK	1			0.099	
040	6A830-36720	PIN FEED BACK	1			0.099	
050	02114-50080	NUT	2			0.011	
060	05525-61000	PIN SNAP	1			0.004	
070	6C040-36940	LINK	1			0.11	

FEED BACK LEVER

Ref	Part Number	Part Name	Qty	IC	S/N	Lbs	Remarks
080	04613-50060	CIR CLIP EXTERNAL	1			0.002	
090	6C200-36270	SHAFT FEED BACK	1			0.132	
100	6C200-36290	SHAFT CONTROL LEVER	1			0.143	
110	04816-00110	O RING	2			0.002	
120	6C200-36210	PLATE	1			0.506	
130	01123-50820	BOLT	1			0.024	
140	6C200-36260	ARM CONTROL LEVER	1			0.072	
150	04612-00100	CIR CLIP EXTERNAL	1			0.002	
160	05012-00614	PIN STRAIGHT	1			0.008	
170	6C200-36410	STOPPER	1			0.044	
180	01123-50820	BOLT	1			0.024	

Silverhorn.co.uk

CONTROL VALVE



32741-061-10

CONTROL VALVE

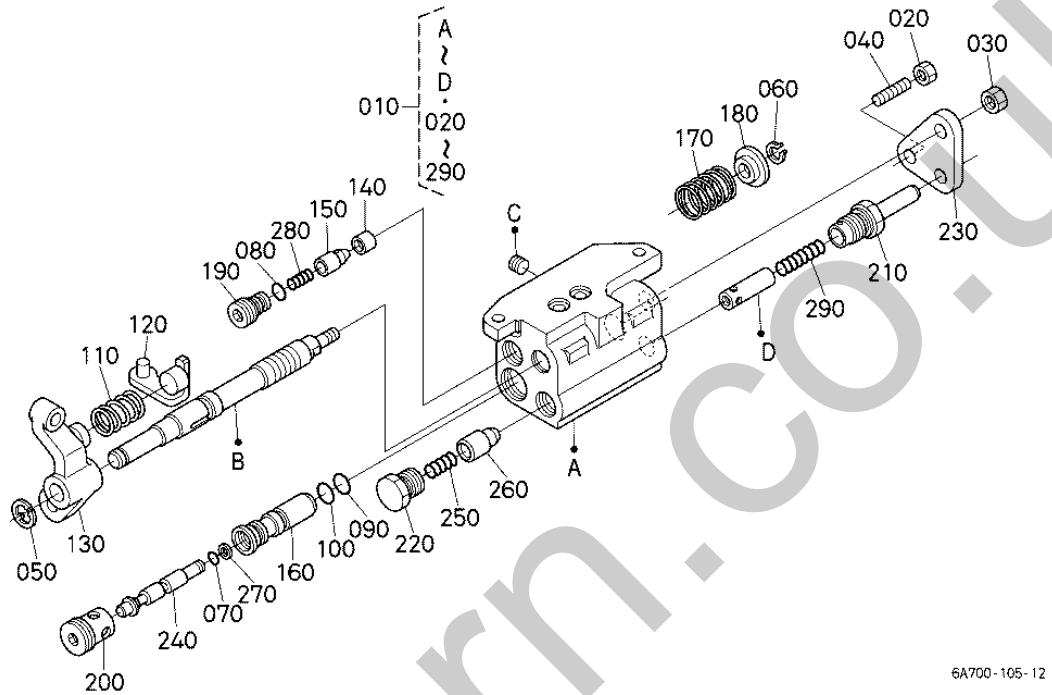
Ref	Part Number	Part Name	Qty	IC	S/N	Lbs	Remarks
010	32741-36280	SHAFT HYD.ADJUST	1			0	
020	04817-00100	O RING	1			0.002	
030	07715-03209	BALL	1			0.004	
040	6A600-36270	COLLAR	1			0.004	
050	6A600-93650	SPRING	1			0.002	
060	6A320-37410	STOPPER	1			0.004	
070	04611-00190	CIR CLIP INTERNAL	1			0.002	

CONTROL VALVE

Ref	Part Number	Part Name	Qty	IC	S/N	Lbs	Remarks
080	YR906-00106	ASSY VALVE CONTROL	1			3.366	
090	04817-00100	O RING	2			0.002	
100	01311-10820	BOLT HEX-SOC-HD	2			0.026	
110	37410-36643	GRIP	1			0.066	
120	32741-36260	SHAFT HYD.ADJUST	1			0	
130	32741-36290	ASSY CONNECTOR	1			0	
140	05525-51400	PIN SNAP	2			0.011	
150	32741-36272	CAP HYD.LEVER	1			0	

Silverhorn.CO.UK

CONTROL VALVE [COMPONENT PARTS]



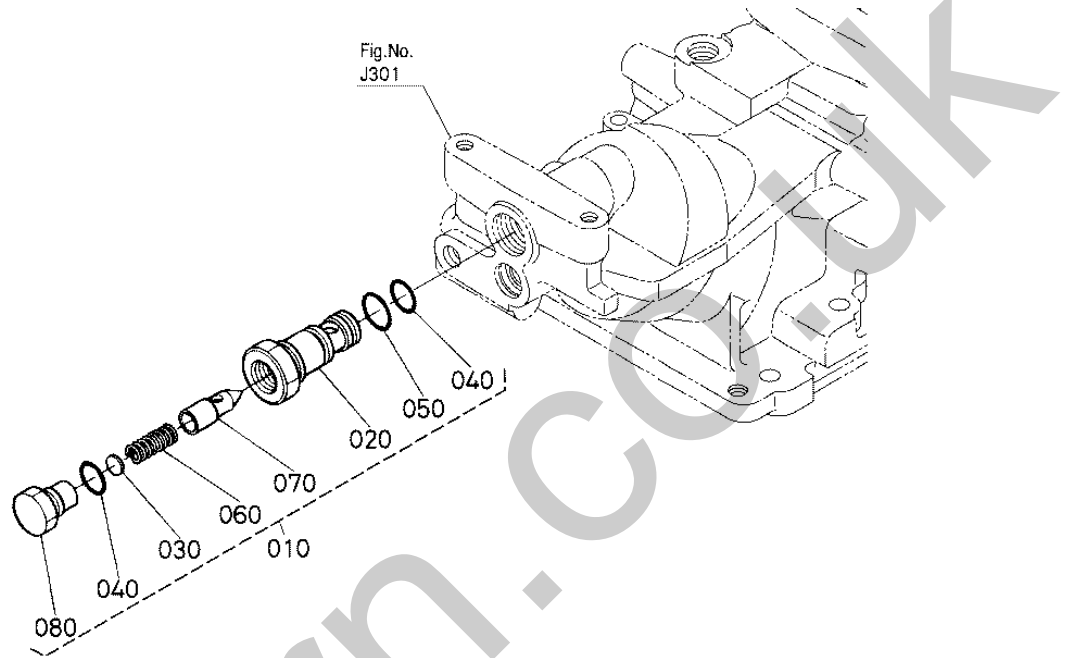
CONTROL VALVE [COMPONENT PARTS]

Ref	Part Number	Part Name	Qty	IC	S/N	Lbs	Remarks
010	YR906-00106	ASSY VALVE CONTROL	1			3.366	
020	02014-50060	NUT	1			0.004	
030	02114-50080	NUT	1			0.011	
040	03650-50622	SCREW SET	1			0.008	
050	04613-50090	CIR CLIP EXTERNAL	1			0.002	
060	04613-50060	CIR CLIP EXTERNAL	1			0.002	
070	04816-00050	O RING	1			0.002	

CONTROL VALVE [COMPONENT PARTS]

Ref	Part Number	Part Name	Qty	IC	S/N	Lbs	Remarks
080	04817-00090	O RING	1			0.002	
090	04817-05110	O RING	1			0.011	
100	04817-05120	O RING	1			0.002	
110	6A600-93960	SPRING RETURN	1			0.028	
120	YR689-00310	HOLDER SPRING	1			0.055	
130	YR689-00610	LEVER	1			0.088	
140	YR730-20130	SEAT CHECK VALVE	1			0.006	
150	YR730-20210	POPPET	1			0.022	
160	YR730-20250	SLEEVE	1			0.066	
170	YR730-20270	SPRING	1			0.022	
180	YR730-20410	HOLDER SPRING	1			0.013	
190	YR906-00310	PLUG	1			0.033	
200	YR906-00410	PLUG	1			0.066	
210	YR906-00510	PLUG	1			0.077	
220	YR906-00610	PLUG UNLOAD	1			0.048	
230	YR906-00710	PLATE	1			0.11	
240	YR906-20260	POPET	1			0.044	
250	YT104-00750	SPRING	1			0.002	
260	YT161-22250	POPET	1			0.041	
270	YT161-22280	RING BACK UP	1			0.002	
280	YT509-00140	SPRING	1			0.004	
290	YT527-20180	SPRING	1			0.004	

SAFETY VALVE



6A700-388-20

SAFETY VALVE

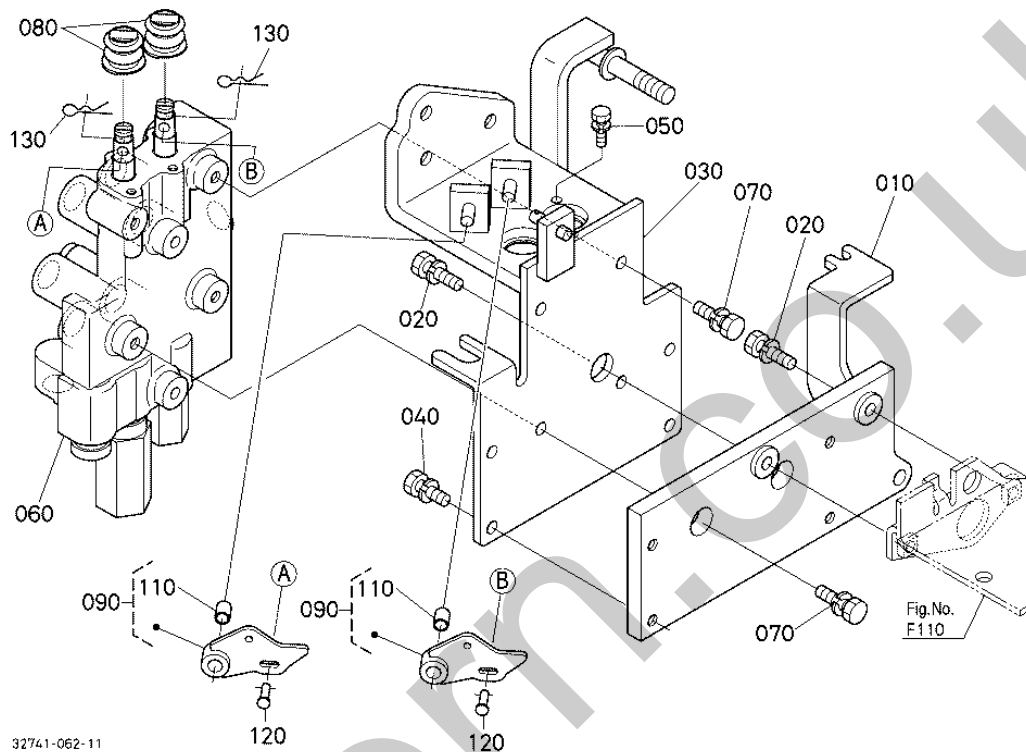
Ref	Part Number	Part Name	Qty	IC	S/N	Lbs	Remarks
010	6A100-36363	ASSY VALVE SAFETY	1			0.303	
020	6A100-36762	PLUG VALVE	1			0.176	
030	48100-36280	SHIM	1			0.002	0.2mm
030	48100-36270	SHIM	1			0.002	0.3mm
040	04817-00140	O RING	2			0.002	
050	04817-00160	O RING	1			0.002	
060	67955-36260	SPRING VALVE	1			0.011	

SAFETY VALVE

Ref	Part Number	Part Name	Qty	IC	S/N	Lbs	Remarks
070	67156-36390	VALVE	1			0.033	
080	6A100-36770	PLUG	1			0	

Silverhorn.CO.UK

HYDRAULIC OUTLET



HYDRAULIC OUTLET

Ref	Part Number	Part Name	Qty	IC	S/N	Lbs	Remarks
010	32741-71212	SUPPORT VALVE	1	NI	>=50198	0	
010	32741-71210	SUPPORT VALVE	1		<=50197	0	
020	01123-50830	BOLT	2			0.033	
030	32741-61116	STAY VALVE	1	NI	>=50198	7.7	
030	32741-61115	STAY VALVE	1		<=50197	0	
040	01123-50820	BOLT	4			0.024	
050	01023-50625	BOLT	2			0.015	

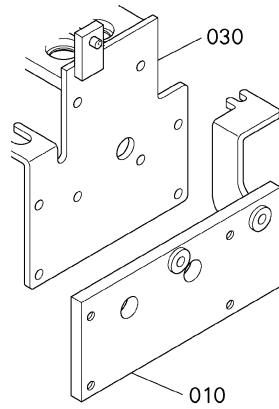
HYDRAULIC OUTLET

Ref	Part Number	Part Name	Qty	IC	S/N	Lbs	Remarks
060	YW239-00102	ASSY VALVE CONTROL	1	>>	>=50478	15.51	
060	YW239-00100	ASSY VALVE CONTROL	1		<=50477	0	
070	01123-50820	BOLT	4			0.024	
080	TD170-37630	BOOT	2			0.006	
090	32741-62700	ASSY LINK SPOOL	2			0.132	
110	08511-00812	BUSH	2			0.004	
120	75540-62190	PIN	2			0.039	
130	05525-60500	PIN SNAP	2			0.002	

Silverhorn.CO.UK

HYDRAULIC OUTLET

OLD PARTS

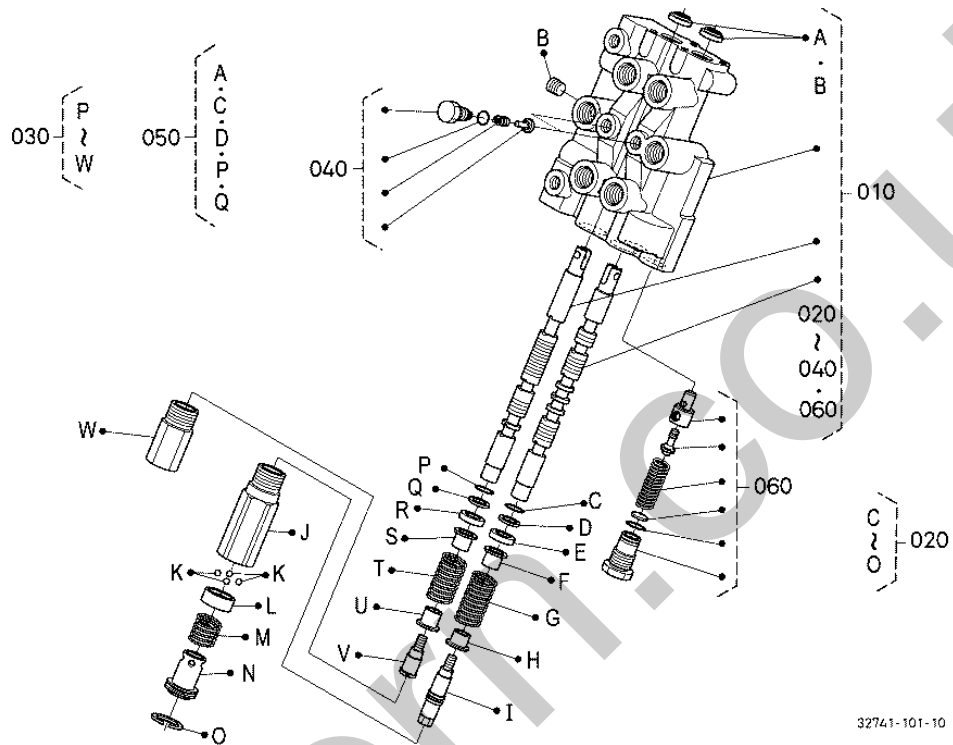


32741-801-10

HYDRAULIC OUTLET

Ref	Part Number	Part Name	Qty	IC	S/N	Lbs	Remarks
010	32741-71212	SUPPORT VALVE	1	NI	>=50198	0	
010	32741-71210	SUPPORT VALVE	1		<=50197	0	
030	32741-61116	STAY VALVE	1	NI	>=50198	7.7	
030	32741-61115	STAY VALVE	1		<=50197	0	

HYDRAULIC OUTLET [COMPONENT PARTS]

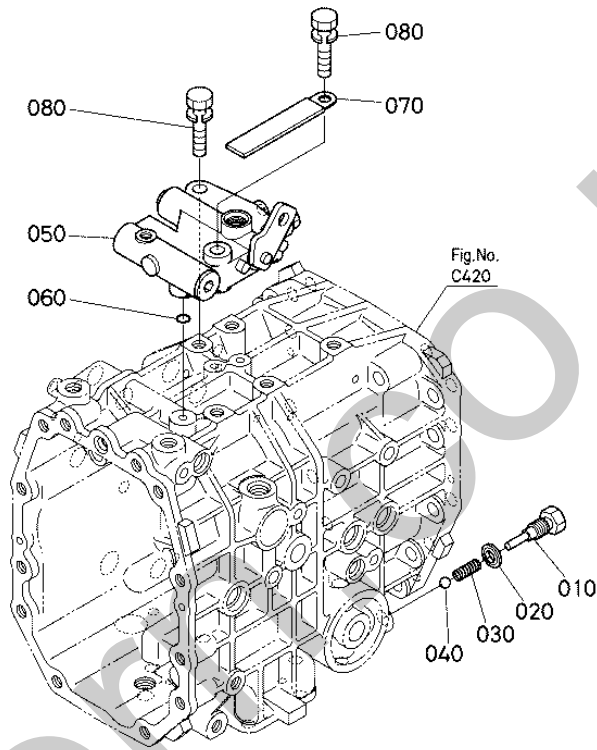


HYDRAULIC OUTLET [COMPONENT PARTS]

Ref	Part Number	Part Name	Qty	IC	S/N	Lbs	Remarks
010	YW239-00102	ASSY VALVE CONTROL	1	>>	>=50478	15.51	
010	YW239-00100	ASSY VALVE CONTROL	1		<=50477	0	
020	YW232-91102	KIT PLUG DETENT	1			0.946	
030	YW232-92102	KIT PLUG	1			0.484	
040	YW232-93100	KIT VALVE LOAD CHECK	1			0.088	
050	YW232-94100	KIT SEAL	1			0.022	
060	YW239-95100	KIT VALVE RELIEF	1			0.22	

Silverhorn.CO.UK

PTO VALVE



6C200-089-13

PTO VALVE

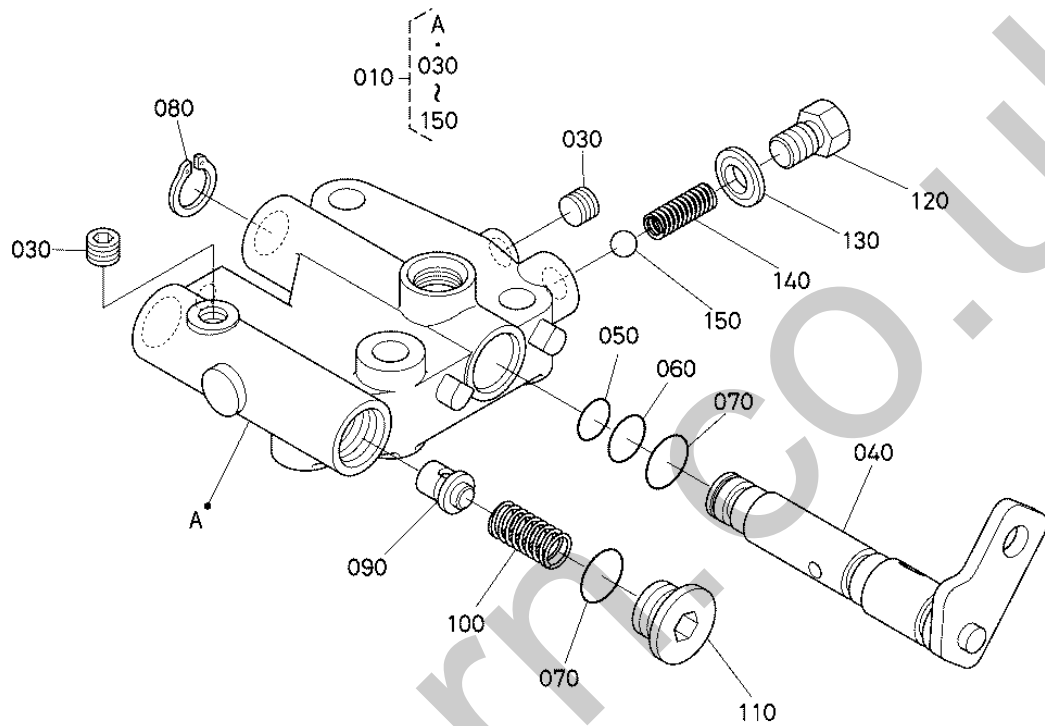
Ref	Part Number	Part Name	Qty	IC	S/N	Lbs	Remarks
010	6C050-39382	BOLT	1			0.066	
020	04717-01200	WASHER WITH RUBBER	1			0.004	
030	16851-36950	SPRING	1			0.044	
040	07715-00803	BALL	1			0.008	
050	6C200-11204	ASSY VALVE PTO	1			1.188	
060	04817-00100	O RING	3			0.002	
070	35340-29380	CLAMP CORD	1			0.022	

PTO VALVE

Ref	Part Number	Part Name	Qty	IC	S/N	Lbs	Remarks
080	01123-51045	BOLT	3			0.070	

Silverhorn.CO.UK

PTO VALVE [COMPONENT PARTS]



6C200-090-12

PTO VALVE [COMPONENT PARTS]

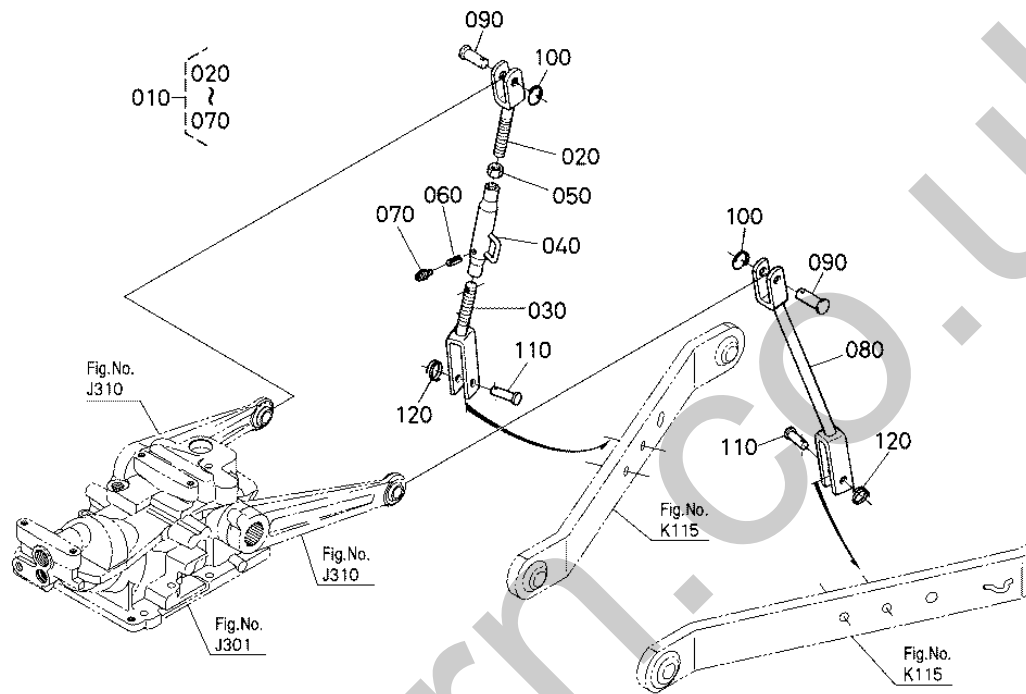
Ref	Part Number	Part Name	Qty	IC	S/N	Lbs	Remarks
010	6C200-11204	ASSY VALVE PTO	1			1.188	
030	RA111-62470	PLUG	2			0.006	
040	6C200-11130	ARM PTO	1			0.374	
050	04816-06100	O RING	1			0.002	
060	04816-00120	O RING	1			0.002	
070	04816-00140	O RING	2			0.004	
080	04612-00140	CIR CLIP EXTERNAL	1			0.002	

PTO VALVE [COMPONENT PARTS]

Ref	Part Number	Part Name	Qty	IC	S/N	Lbs	Remarks
090	66363-39710	POPPET L	1			0.013	
100	66363-39720	SPRING L	1			0.022	
110	5H600-12620	PLUG	1			0.046	
120	6C040-19222	BOLT	1			0.033	
130	04717-01000	WASHER WITH RUBBER	1			0.002	
140	62061-18260	SPRING STOPPER	1			0.004	
150	07715-01605	BALL	1			0.006	

Silverhorn.CO.UK

3-POINT LINKAGE (LIFT ROD)



32741-064-10

3-POINT LINKAGE (LIFT ROD)

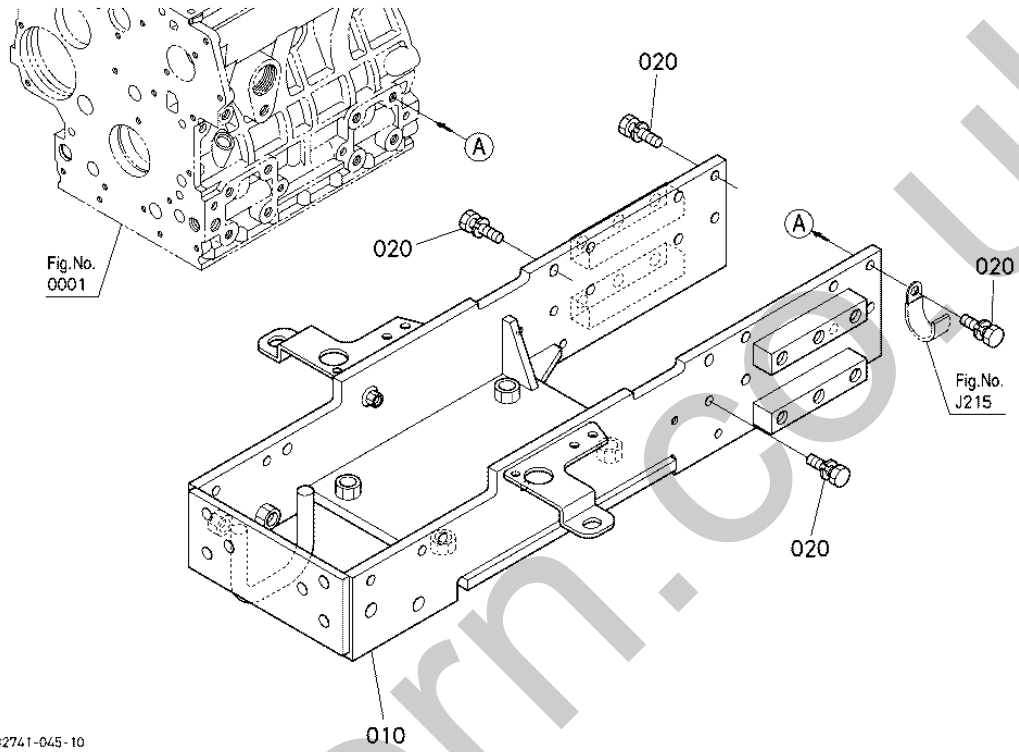
Ref	Part Number	Part Name	Qty	IC	S/N	Lbs	Remarks
010	32721-65202	ASSY ROD LIFT RH	1			3.146	
020	32721-65232	ROD LIFT UPPER RH	1			0.871	
030	32721-65242	ROD LIFT LOWER RH	1			1.183	
040	32721-65250	ROD LIFT MIDDLE	1			1.045	
050	02172-50180	NUT	1			0.046	
060	05411-00320	PIN SPRING	1			0.002	
070	06613-10675	NIPPLE GREASE	1			0.006	

3-POINT LINKAGE (LIFT ROD)

Ref	Part Number	Part Name	Qty	IC	S/N	Lbs	Remarks
080	32721-65270	ROD LIFT LH	1			2.574	
090	05122-51645	PIN JOINT	2			0.165	
100	67156-34340	RING SNAP	2			0.022	
110	05122-51240	PIN JOINT	2			0.085	
120	67156-34340	RING SNAP	2			0.022	

Silverhorn.CO.UK

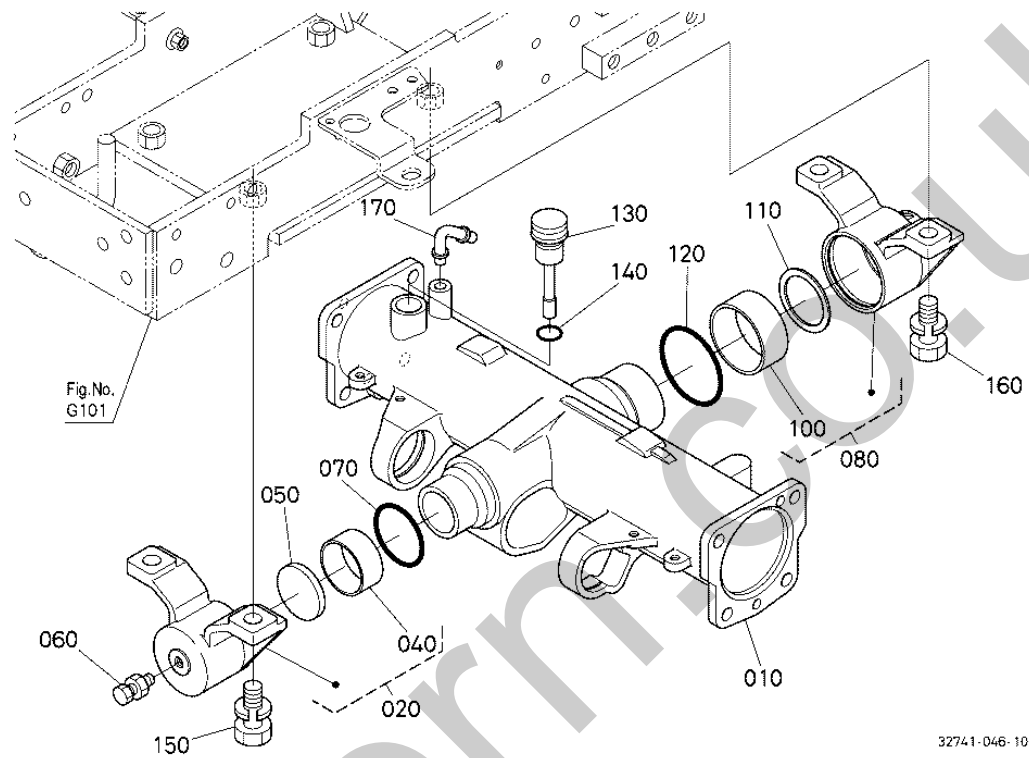
FRONT AXLE FRAME



FRONT AXLE FRAME

Ref	Part Number	Part Name	Qty	IC	S/N	Lbs	Remarks
010	32741-51214	COMP.FRAME FRONT	1			0	
020	01138-51030	BOLT	16			0.55	

FRONT AXLE CASE



FRONT AXLE CASE

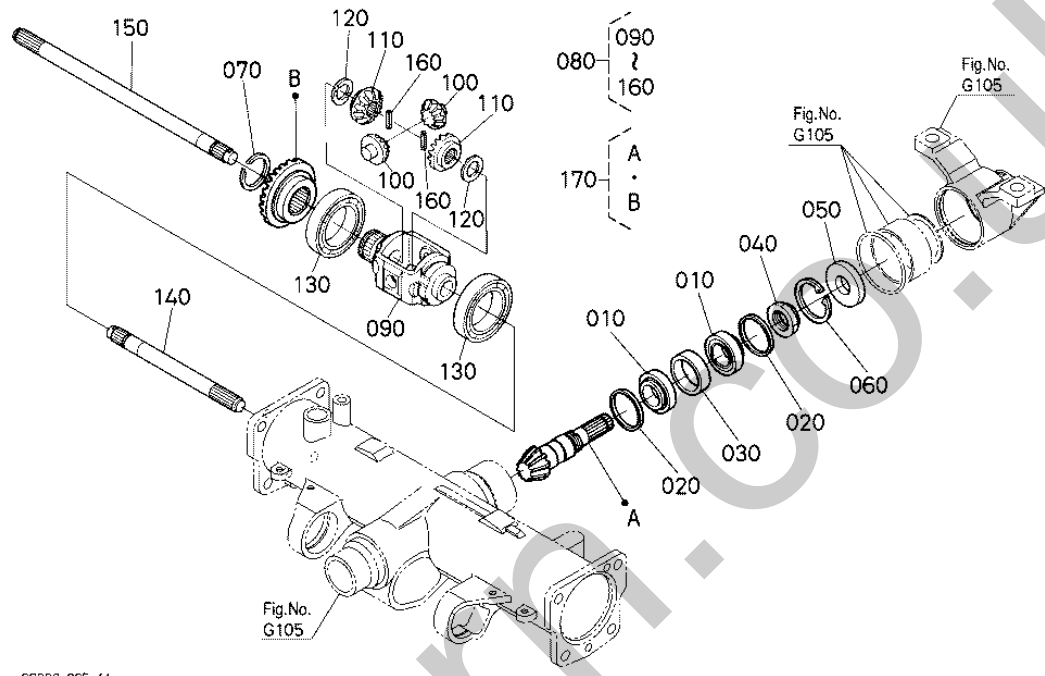
Ref	Part Number	Part Name	Qty	IC	S/N	Lbs	Remarks
010	32741-56910	CASE FRONT AXLE	1			0	
020	32741-56920	ASSY HOLDER	1			0	
040	08511-05025	BUSH	1			0.171	
050	37410-56180	COLLAR THRUST	1			0.132	
060	6C040-56170	COMP.BOLT FRONT AXLE	1			0.088	
070	04811-50600	O RING	1			0.004	
080	6C200-56180	ASSY HOLDER	1			3.564	

FRONT AXLE CASE

Ref	Part Number	Part Name	Qty	IC	S/N	Lbs	Remarks
100	08511-06530	BUSH	1			0.264	
110	6C040-56150	COLLAR THRUST	1			0.044	
120	04811-50700	O RING	1			0.004	
130	6C040-56123	GAUGE OIL	1			0.052	
140	04816-00180	O RING	1			0.004	
150	01133-51645	BOLT	2			0.224	
160	01133-51645	BOLT	2			0.224	
170	6C040-36070	PIPE BREATHER	1			0.039	

Silverhorn.CO.UK

FRONT DIFFERENTIAL



6C200-065-11

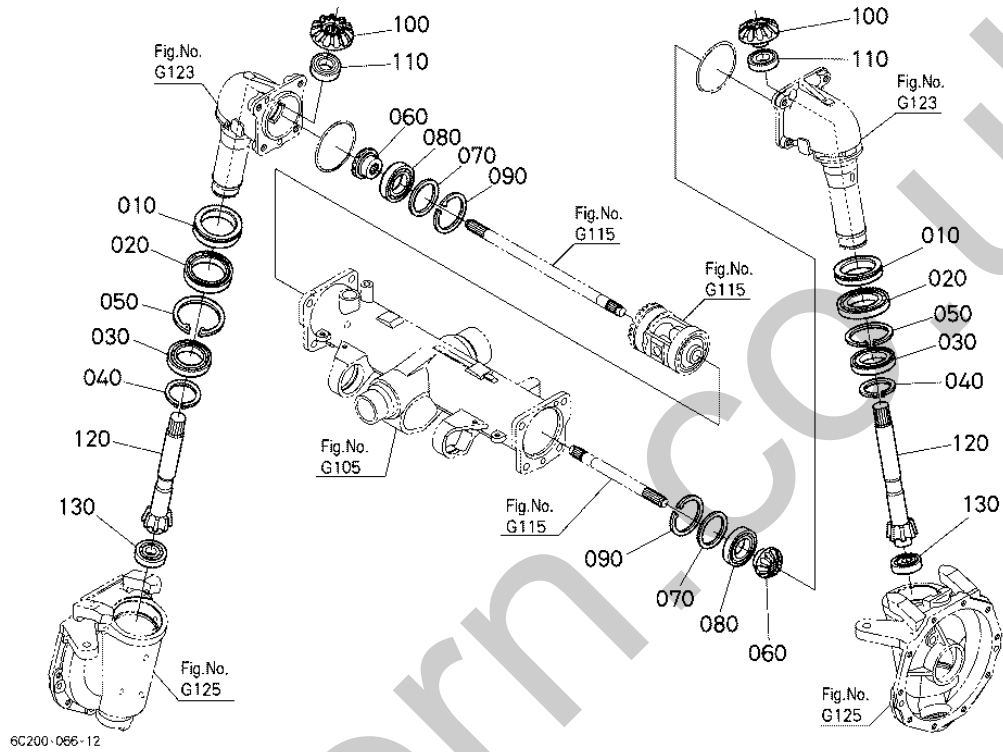
FRONT DIFFERENTIAL

Ref	Part Number	Part Name	Qty	IC	S/N	Lbs	Remarks
010	08711-30205	BEARING TAPER-ROLLER	2			0.325	
020	37410-58160	COLLAR	2			0.022	3.4mm
020	37410-58170	COLLAR	2			0.022	3.6mm
020	37410-58150	COLLAR	2			0.022	3.8mm
020	37410-58120	COLLAR	2			0.022	4.0mm
020	37410-58130	COLLAR	2			0.022	4.1mm
020	37410-58140	COLLAR	2			0.022	4.2mm

FRONT DIFFERENTIAL

Ref	Part Number	Part Name	Qty	IC	S/N	Lbs	Remarks
020	37410-56680	COLLAR	2			0.033	4.4mm
020	37410-56660	COLLAR	2			0.024	4.6mm
030	37410-56690	COLLAR	1			0.088	
040	37410-56710	NUT	1			0.066	
050	09500-20408	SEAL OIL	1			0.026	
060	04611-00520	CIR CLIP INTERNAL	1			0.019	
070	6C040-56820	CIR CLIP EXTERNAL	1			0.006	
080	6A600-56900	ASSY DIFF.FRONT	1			6.908	
090	6A600-56830	CASE DIFF.FRONT	1			1.606	
100	6A320-56860	PINION BEVEL GEAR	2			0.154	10T
110	6A320-56910	GEAR BEVEL	2			0.242	14T
120	61361-14330	COLLAR	2			0.015	
130	08101-06010	BEARING BALL	2			0.576	
140	6A600-56880	SHAFT YOKE LH	1			1.232	
150	6A600-56890	SHAFT YOKE RH	1			2.09	
160	05411-00520	PIN SPRING	2			0.004	
170	32741-97960	ASSY GEAR BEVEL	1			0	11-20T

DIFFERENTIAL GEAR SHAFT



DIFFERENTIAL GEAR SHAFT

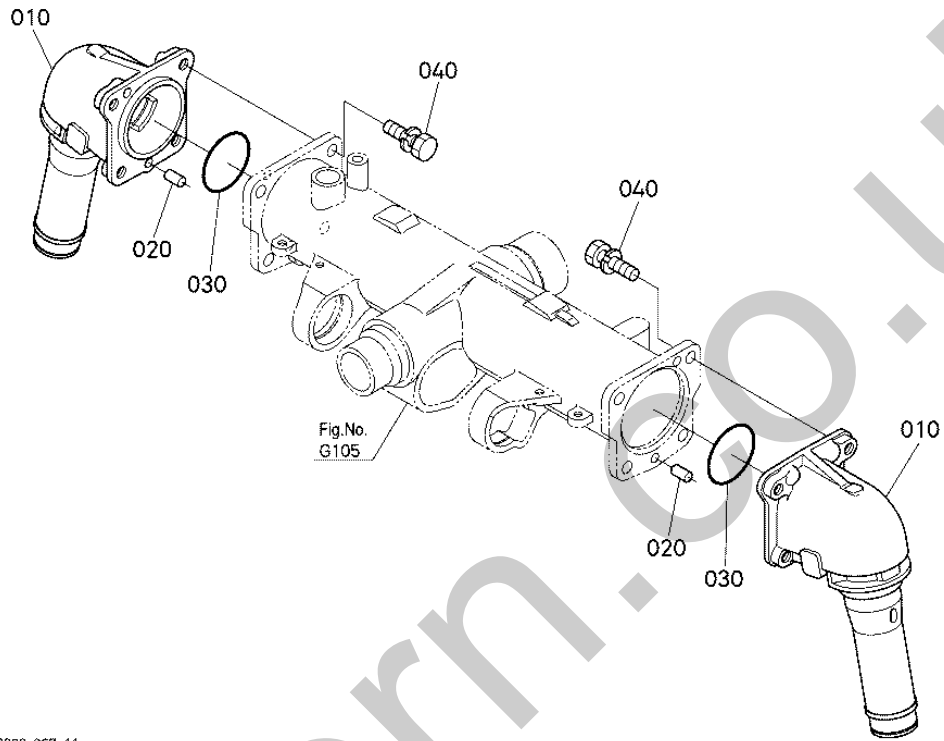
Ref	Part Number	Part Name	Qty	IC	S/N	Lbs	Remarks
010	32721-56223	SEAL OIL	2			0.151	
020	08101-06911	BEARING BALL	2			0.44	
030	08101-06009	BEARING BALL	2			0.484	
040	04612-00450	CIR CLIP EXTERNAL	2			0.015	
050	04611-00750	CIR CLIP INTERNAL	2			0.041	
060	37410-57130	GEAR BEVEL	2			0.55	11T
070	6C040-57150	SHIM	2			0.019	1.2mm

DIFFERENTIAL GEAR SHAFT

Ref	Part Number	Part Name	Qty	IC	S/N	Lbs	Remarks
070	6C040-57130	SHIM	2			0.017	1.0mm
070	6C040-57160	SHIM	2			0.024	1.4mm
070	6C040-57140	SHIM	2			0.013	0.8mm
080	08101-06007	BEARING BALL	2			0.352	
090	04611-00620	CIR CLIP INTERNAL	2			0.024	
100	37410-57180	GEAR BEVEL	2			0.704	16T
110	6C200-57190	BEARING BALL	2			0.167	
120	32741-57210	SHAFT GEAR	2			1.716	7T
130	08101-06304	BEARING BALL	2			0.321	

Silverhorn.co.uk

BEVEL GEAR CASE

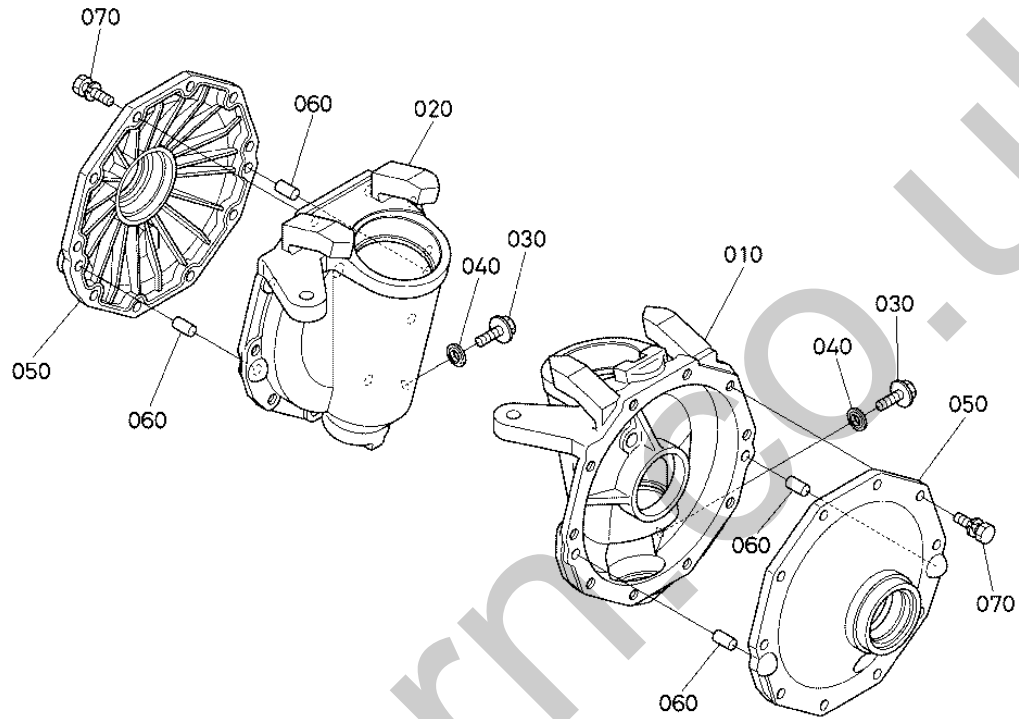


6C200-067-11

BEVEL GEAR CASE

Ref	Part Number	Part Name	Qty	IC	S/N	Lbs	Remarks
010	6C200-56215	CASE BEVEL GEAR	2			8.03	
020	05012-01020	PIN STRAIGHT	4			0.028	
030	04811-50850	O RING	2			0.006	
040	01133-51230	BOLT	8			0.088	

FRONT AXLE CASE



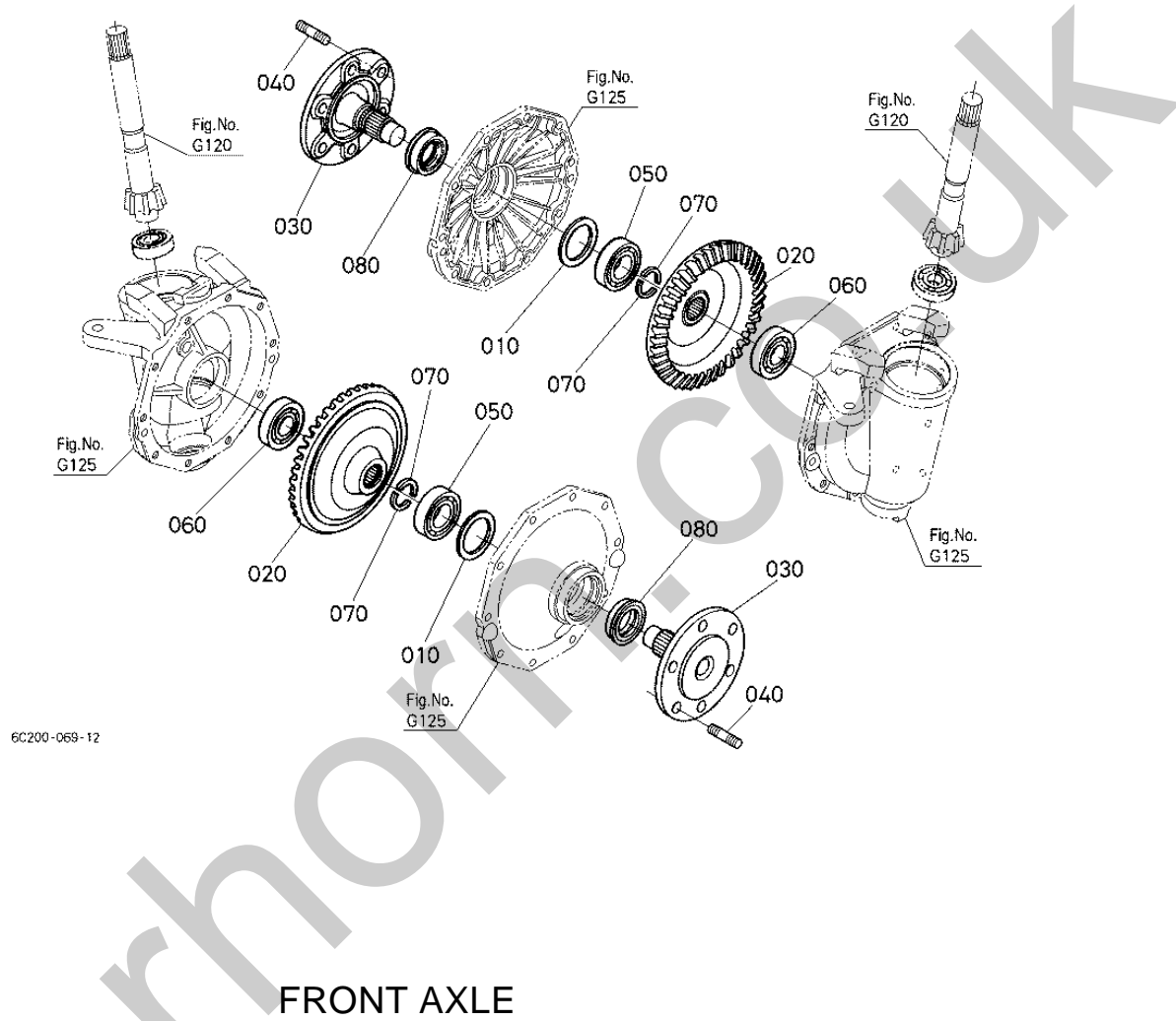
6C200-068-11

FRONT AXLE CASE

Ref	Part Number	Part Name	Qty	IC	S/N	Lbs	Remarks
010	6C200-56310	CASE GEAR LH	1			14.91	
020	6C200-56320	CASE GEAR RH	1			14.74	
030	01774-51010	BOLT FLANGE	2			0.176	
040	04717-01000	WASHER WITH RUBBER	2			0.002	
050	6C040-56345	COVER GEAR CASE	2			1.848	
060	05012-01020	PIN STRAIGHT	4			0.028	
070	01133-51028	BOLT	20			0.059	

Silverhorn.CO.UK

FRONT AXLE



6C200-069-12

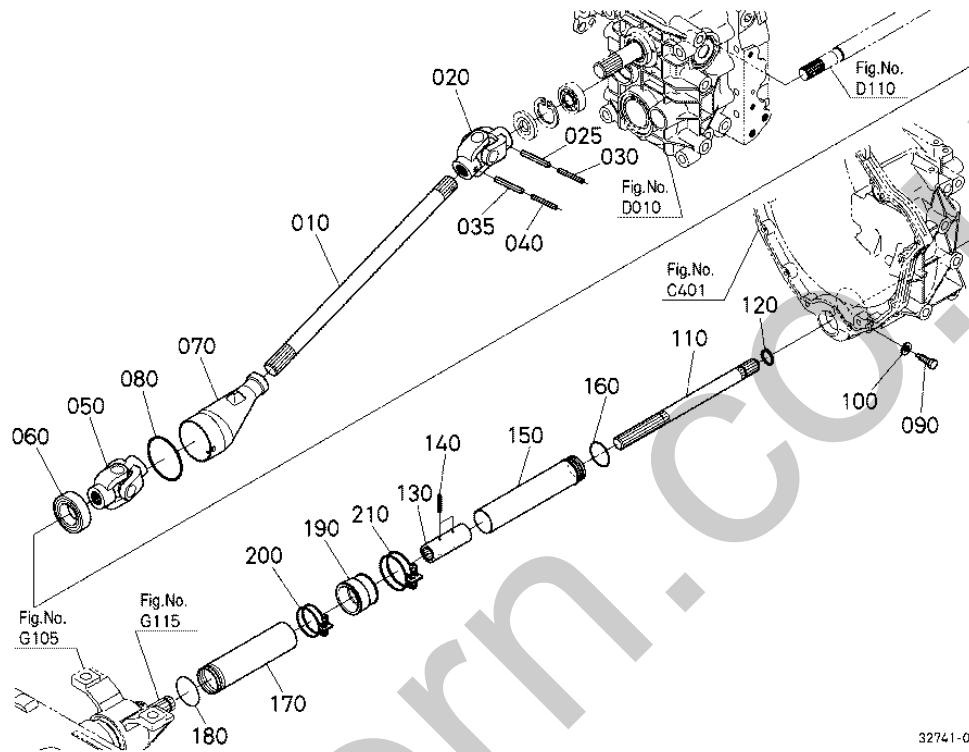
Ref	Part Number	Part Name	Qty	IC	S/N	Lbs	Remarks
010	66621-15240	SHIM DIFF.GEAR SHAFT	2			0.002	0.2mm
010	67211-14990	SHIM DIFF.GEAR SHAFT	2			0.004	0.3mm
020	6C070-57310	GEAR BEVEL	2			6.556	41T
030	32721-57323	SHAFT FRONT AXLE	2			3.828	
040	66591-56564	BOLT STUD	12			0.061	
050	08101-06206	BEARING BALL	2			0.431	
060	08101-06305	BEARING BALL	2			0.506	

FRONT AXLE

Ref	Part Number	Part Name	Qty	IC	S/N	Lbs	Remarks
070	67156-56820	COLLAR SET	4			0.008	
080	37410-57340	SEAL OIL	2			0.099	

Silverhorn.CO.UK

FRONT DRIVE SHAFT



32741-047-10

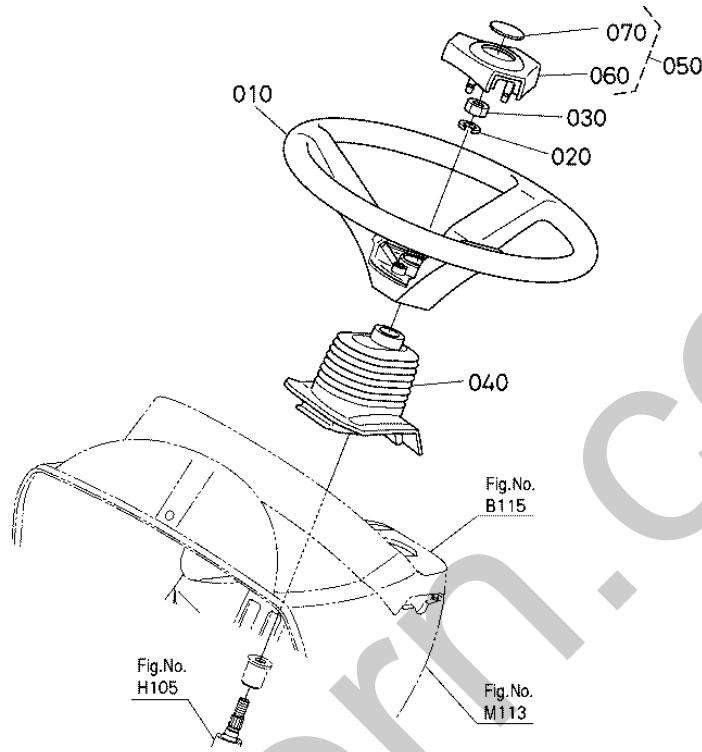
FRONT DRIVE SHAFT

Ref	Part Number	Part Name	Qty	IC	S/N	Lbs	Remarks
010	6C200-13910	SHAFT DRIVE	1			2.266	
020	6C040-57500	ASSY JOINT UNIVERSAL	1			1.32	
025	05411-00640	PIN SPRING	1			0.013	
030	32721-57680	PIN SPRING	1			0.004	
035	05411-00640	PIN SPRING	1			0.013	
040	32721-57680	PIN SPRING	1			0.004	
050	6C200-13920	ASSY JOINT UNIVERSAL	1			1.452	

FRONT DRIVE SHAFT

Ref	Part Number	Part Name	Qty	IC	S/N	Lbs	Remarks
060	08141-06007	BEARING BALL	1			0.323	
070	6C200-13940	COVER	1			0.099	
080	04811-10670	O RING	1			0.002	
090	6C200-13990	BOLT	1			0.028	
100	04512-60080	WASHER SPRING	1			0.004	
110	32741-13950	SHAFT FRONT DRIVE	1			1.43	
120	04612-00200	CIR CLIP EXTERNAL	1			0.002	
130	32741-13960	COUPLING SHAFT	1			0	
140	05411-00430	PIN SPRING	2			0.004	
150	32741-13970	COVER FRONT SHAFT	1			0	
160	04816-06330	O RING	1			0.004	
170	32721-57660	COVER FRONT SHAFT	1			0.343	
180	04816-06370	O RING	1			0.006	
190	37410-57630	JOINT PIPE	1			0.077	
200	67955-58270	CLAMP HOSE	1			0.055	
210	67955-58260	BAND AIR CLEANER	1			0.061	

STEERING HANDLE



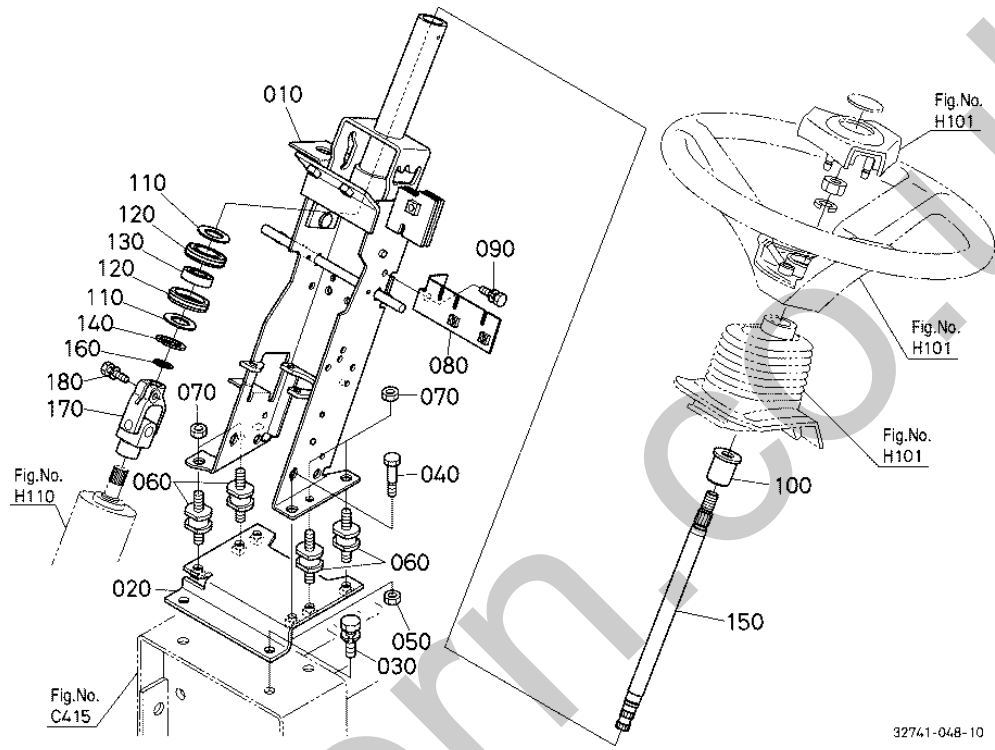
6C200-071-11

STEERING HANDLE

Ref	Part Number	Part Name	Qty	IC	S/N	Lbs	Remarks
010	6C170-41410	WHEEL STEERING	1			7.04	
020	04512-60120	WASHER SPRING	1			0.011	
030	02174-50120	NUT	1			0.022	
040	6C200-53550	BOOT STEERING	1			0.308	
050	6C200-41420	ASSY PAD STEERING	1			0.088	
060	6C170-41430	PAD STEERING	1			0.077	
070	6C200-41440	MARK STEERING WHEEL	1			0.011	

Silverhorn.CO.UK

STEERING POST



32741-048-10

STEERING POST

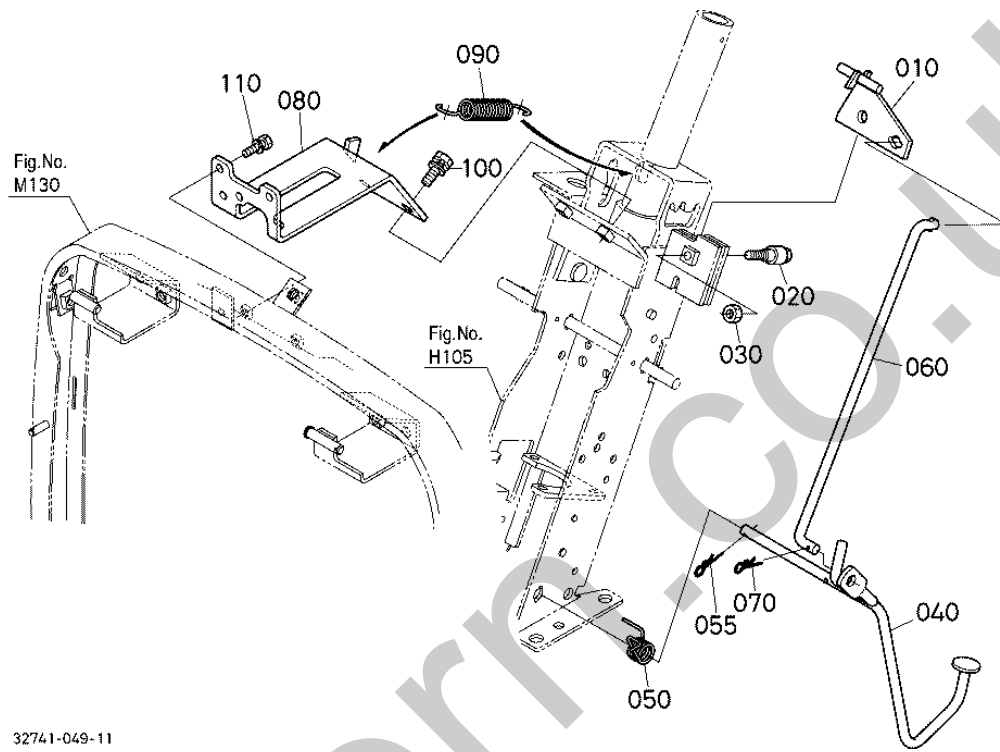
Ref	Part Number	Part Name	Qty	IC	S/N	Lbs	Remarks
010	6C230-41304	POST STEERING	1			6.49	
020	6C200-41290	BASE STEERING POST	1			1.584	
030	01123-51025	BOLT	2			0.044	
040	6C200-41273	BOLT	2			0.055	
050	02114-50080	NUT	2			0.011	
060	14911-41410	CUSHION RUBBER	4			0.085	
070	02121-50080	NUT	4			0.022	

STEERING POST

Ref	Part Number	Part Name	Qty	IC	S/N	Lbs	Remarks
080	6C200-41390	BRACKET	1			0.143	
090	01123-60816	BOLT	1			0.022	
100	6A700-41512	BUSH	1			0.044	
110	6C040-41390	COLLAR	2			0.015	
120	6A100-41520	COVER BEARING	2			0.019	
130	08141-06002	BEARING BALL	1			0.063	
140	04611-00420	CIR CLIP INTERNAL	1			0.013	
150	6C200-41612	SHAFT STEERING	1			0.88	
160	04612-00150	CIR CLIP EXTERNAL	1			0.002	
170	6C200-41620	JOINT UNIVERSAL	1			0.594	
180	01123-50825	BOLT	1			0.028	

Silverhorn.co.uk

TILT PEDAL



32741-049-11

TILT PEDAL

Ref	Part Number	Part Name	Qty	IC	S/N	Lbs	Remarks
010	6C200-41332	LEVER TILT	1			0.209	
020	6A700-41392	BOLT	1			0.088	
030	02114-50080	NUT	1			0.011	
040	6C200-41313	PEDAL TILT	1			0.77	
050	6C200-41340	SPRING	1			0.033	
055	05525-61000	PIN SNAP	1			0.004	
060	6C200-41320	ROD TILT	1			0.44	

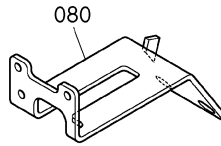
TILT PEDAL

Ref	Part Number	Part Name	Qty	IC	S/N	Lbs	Remarks
070	05525-61000	PIN SNAP	1			0.004	
080	6C200-41363	STAY STEERING POST	1	>>	>=50033	1.188	
080	6C200-41362	STAY STEERING POST	1		<=50032	1.188	
090	T1270-47140	SPRING	1			0.099	
100	01125-60820	BOLT	2			0.033	
110	01023-50620	BOLT	2			0.013	

Silverhorn.CO.UK

TILT PEDAL

OLD PARTS

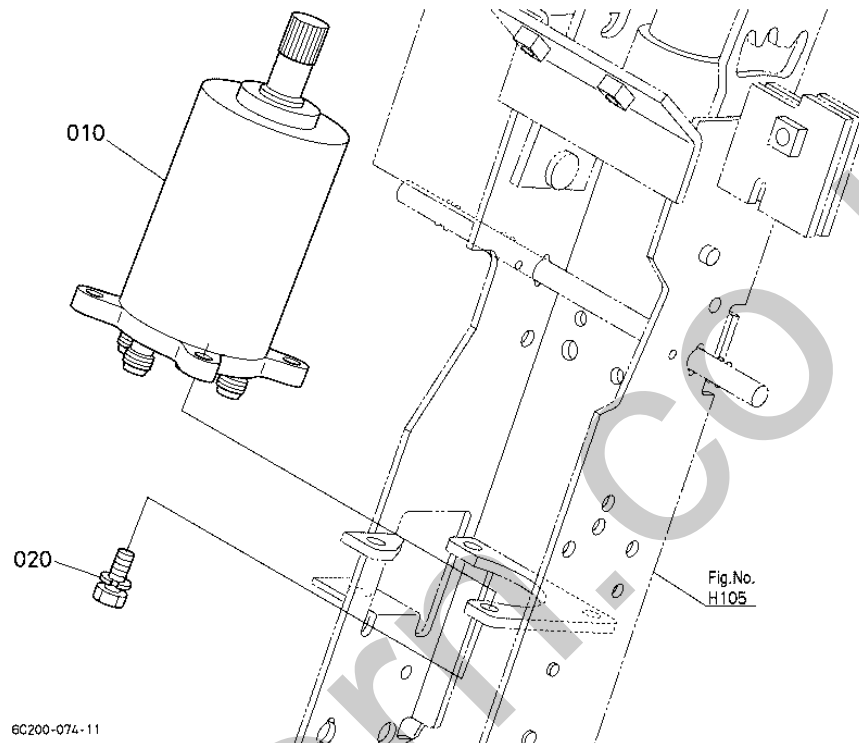


32741-800-10

TILT PEDAL

Ref	Part Number	Part Name	Qty	IC	S/N	Lbs	Remarks
080	6C200-41363	STAY STEERING POST	1	>>	>=50033	1.188	
080	6C200-41362	STAY STEERING POST	1		<=50032	1.188	

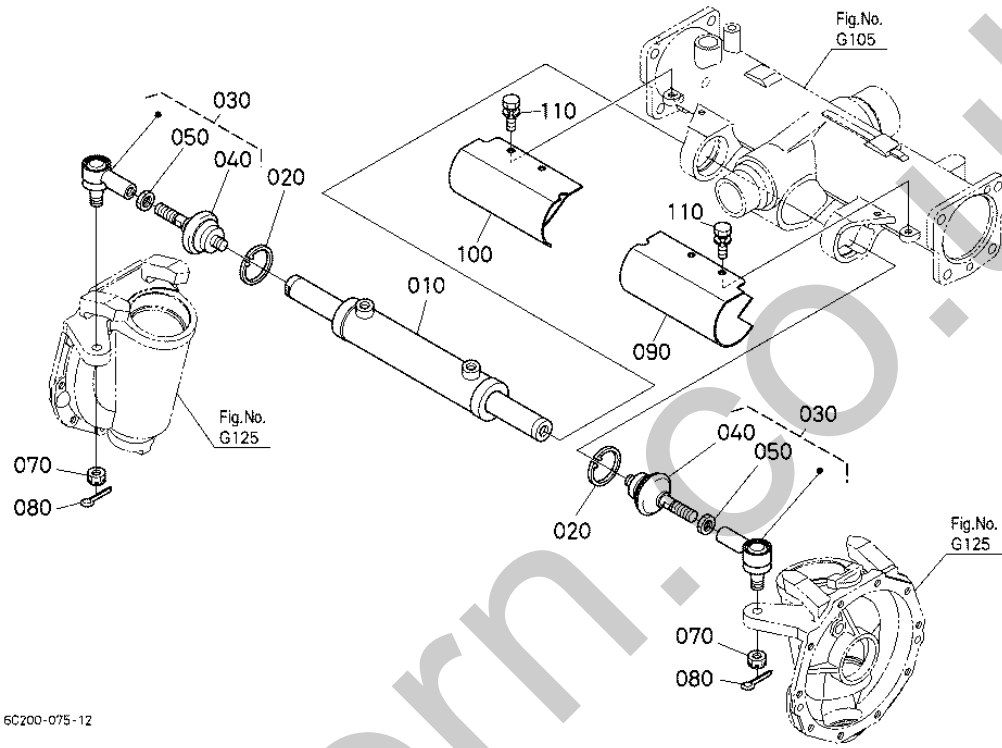
STEERING CONTROLLER



STEERING CONTROLLER

Ref	Part Number	Part Name	Qty	IC	S/N	Lbs	Remarks
010	6C200-41100	STEERING POWER	1			5.72	
020	01123-60816	BOLT	4			0.022	

STEERING LINKAGE



6C200-075-12

STEERING LINKAGE

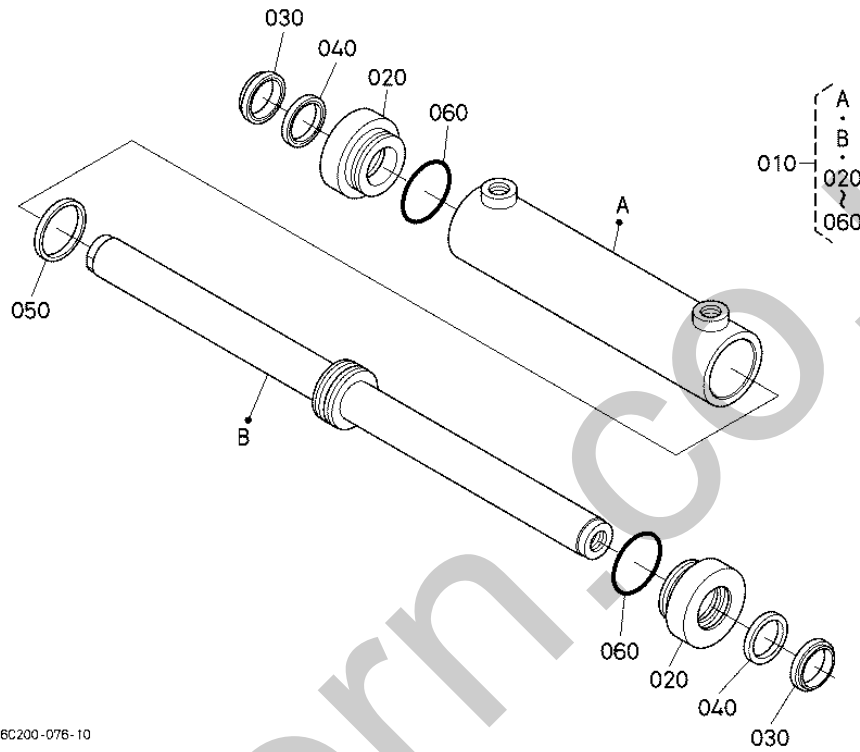
Ref	Part Number	Part Name	Qty	IC	S/N	Lbs	Remarks
010	6C200-57302	ASSY CYLINDER STRG.	1			7.26	
020	04611-00520	CIR CLIP INTERNAL	2			0.019	
030	6C200-57410	ROD TIE STEERING	2			1.232	
040	K2561-01630	JOINT AXIAL BALL	2			0.688	
050	K2561-01640	NUT	2			0.039	
070	38240-12830	NUT	2			0.017	
080	05511-50330	PIN SPLIT	2			0.011	

STEERING LINKAGE

Ref	Part Number	Part Name	Qty	IC	S/N	Lbs	Remarks
090	6C200-57483	COVER LH STEERING	1			0.99	
100	6C200-57493	COVER RH STEERING	1			0.99	
110	01123-60816	BOLT	4			0.022	

Silverhorn.CO.UK

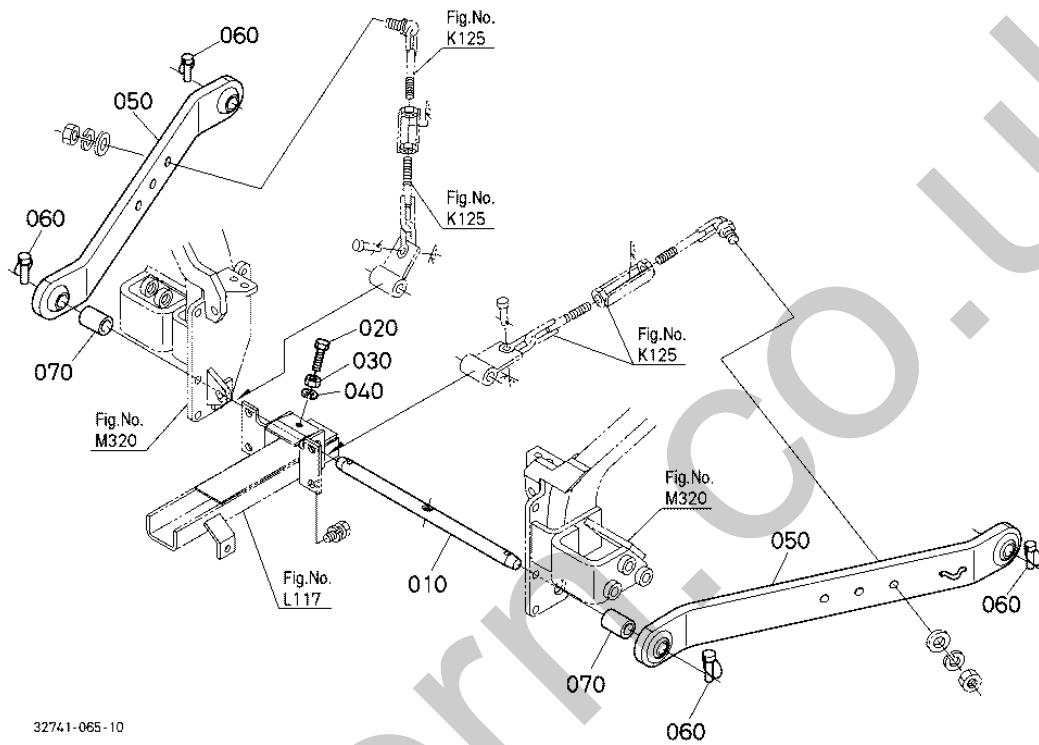
STEERING CYLINDER [COMPONENT PARTS]



STEERING CYLINDER [COMPONENT PARTS]

Ref	Part Number	Part Name	Qty	IC	S/N	Lbs	Remarks
010	6C200-57302	ASSY CYLINDER STRG.	1			7.26	
020	6C200-57320	COVER ROD	2			0.418	
030	6C200-57340	SEAL DUST	2			0.004	
040	6C200-57350	GASKET U	2			0.004	
050	6C200-57362	GASKET	1			0.006	
060	04817-50350	O RING	2			0.006	

LOWER LINK



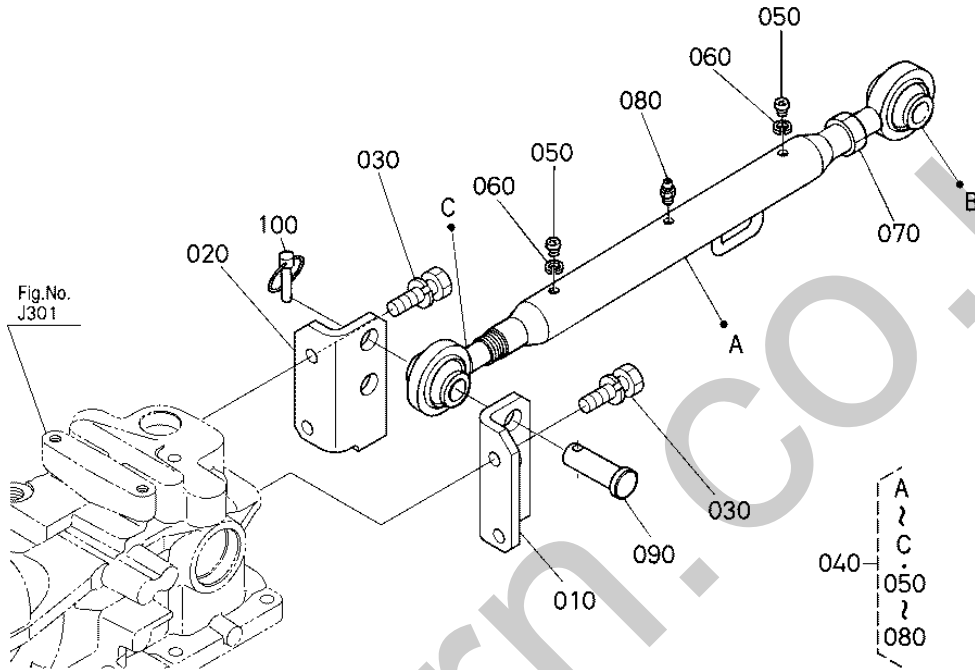
32741-065-10

LOWER LINK

Ref	Part Number	Part Name	Qty	IC	S/N	Lbs	Remarks
010	6C040-66010	PIN LOWER LINK	1			2.508	
020	6C040-65120	BOLT	1			0.044	
030	02118-50100	NUT	1			0.011	
040	04512-60100	WASHER SPRING	1			0.004	
050	6C040-65210	COMP.LINK LOWER	2			11.61	
060	34150-37640	PIN SET	4			0.132	
070	66204-65350	SPACER	2			0.264	

Silverhorn.CO.UK

3-POINT LINKAGE (TOP LINK)



32741-066-10

3-POINT LINKAGE (TOP LINK)

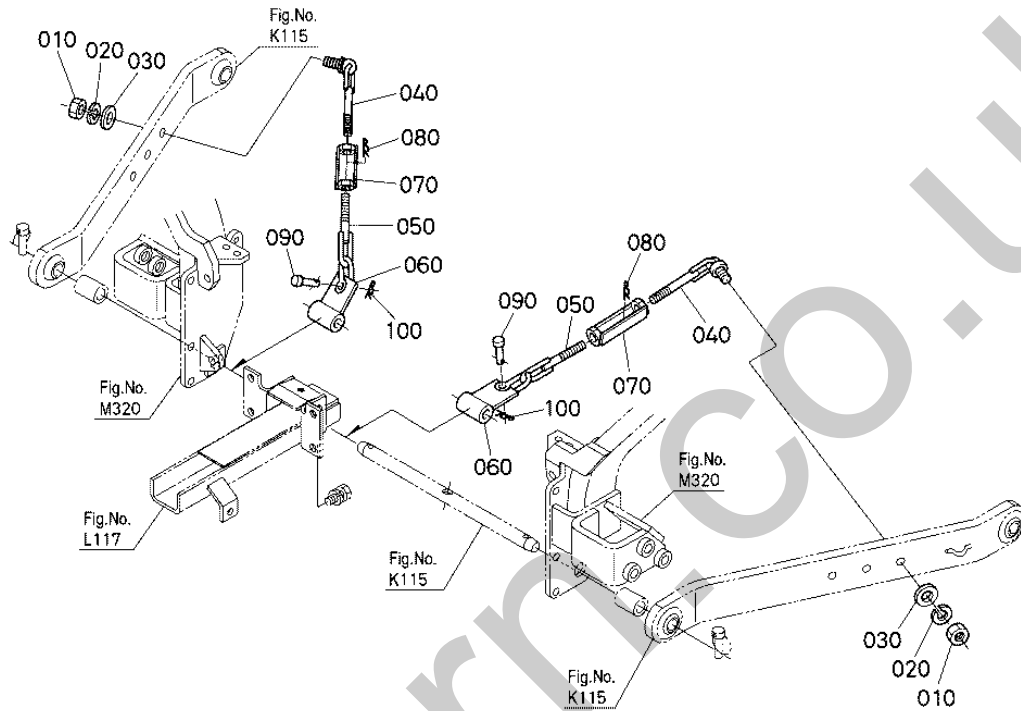
Ref	Part Number	Part Name	Qty	IC	S/N	Lbs	Remarks
010	6C200-65190	BRACKET TOP LINK LH	1			1.474	
020	6C200-65160	BRACKET TOP LINK RH	1			1.474	
030	01123-51230	BOLT	4			0.088	
040	6C070-65400	ASSY LINK TOP	1			4.664	
050	03014-50606	SCREW PAN-HEAD	2			0.059	
060	04512-60060	WASHER SPRING	2			0.002	
070	02152-50200	NUT	1			0.070	

3-POINT LINKAGE (TOP LINK)

Ref	Part Number	Part Name	Qty	IC	S/N	Lbs	Remarks
080	06613-10675	NIPPLE GREASE	1			0.006	
090	31150-71360	PIN JOINT	2			0.365	
100	34150-37640	PIN SET	2			0.132	

Silverhorn.CO.UK

CHECK CHAIN



32741-067-10

CHECK CHAIN

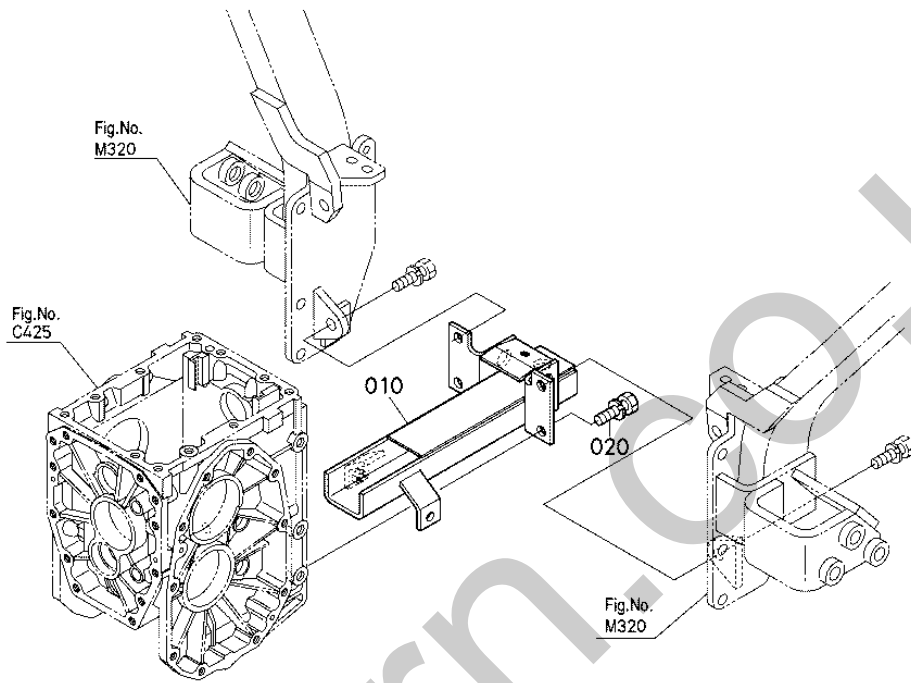
Ref	Part Number	Part Name	Qty	IC	S/N	Lbs	Remarks
010	02174-50160	NUT	2			0.048	
020	04512-60160	WASHER SPRING	2			0.022	
030	04015-60160	WASHER PLAIN	2			0.127	
040	6C040-65323	BOLT TURNBUCKLE	2			0.77	
050	67830-71510	JOINT CHAIN	2			0.484	
060	32721-65292	BRACKET CHECK CHAIN	2			0.792	
070	6C040-65390	TURNBUCKLE	2			0.44	

CHECK CHAIN

Ref	Part Number	Part Name	Qty	IC	S/N	Lbs	Remarks
080	05515-61200	PIN SNAP	2			0.011	
090	32721-65260	PIN JOINT	2			0.050	
100	6C040-42390	PIN SNAP	2			0.004	

Silverhorn.CO.UK

HITCH

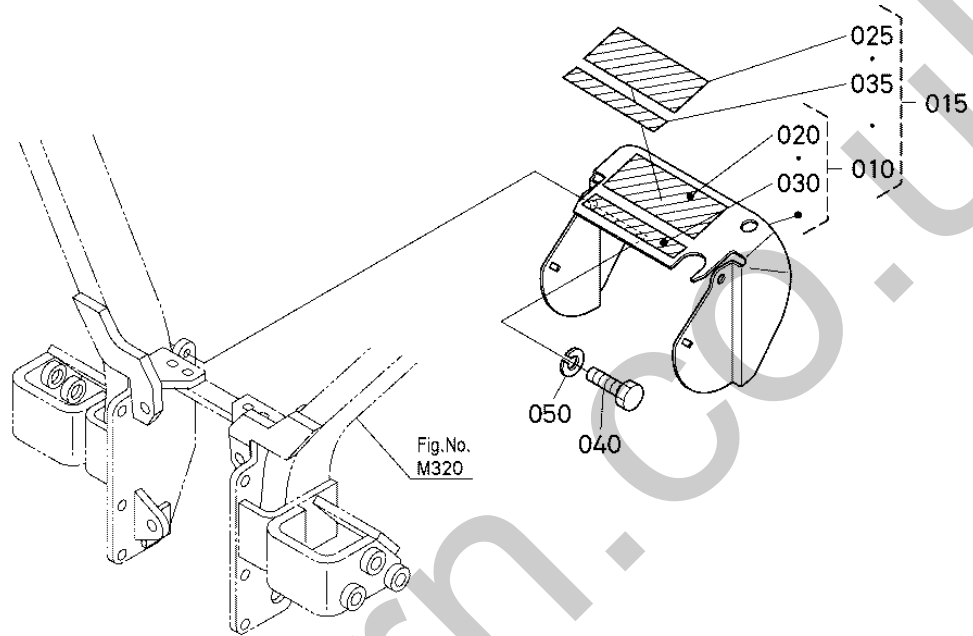


32741-068-10

HITCH

Ref	Part Number	Part Name	Qty	IC	S/N	Lbs	Remarks
010	32741-65600	COMP.HITCH	1			0	
020	01123-51230	BOLT	2			0.088	

PTO PROTECTOR



32741-069-10

PTO PROTECTOR

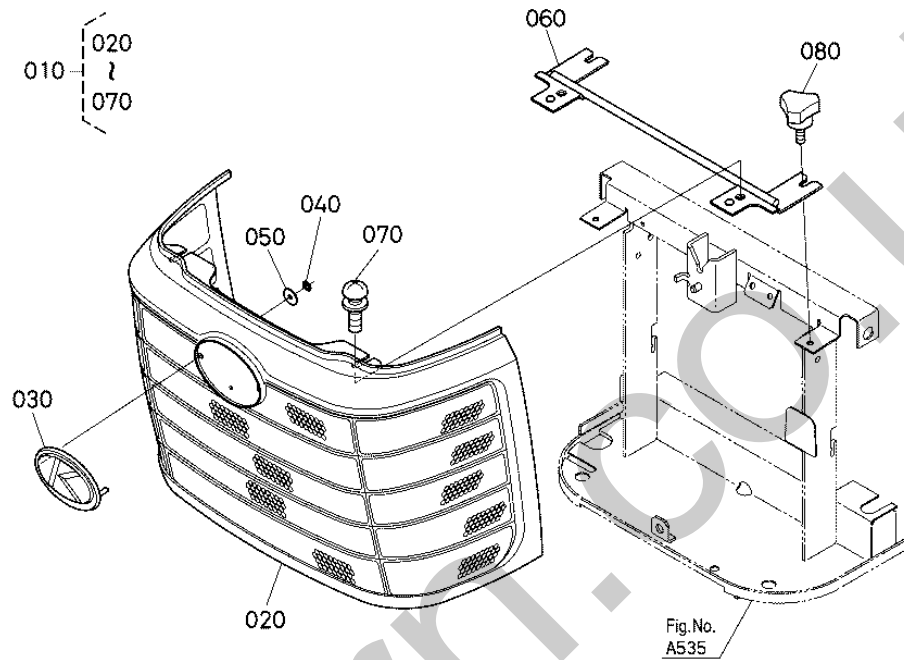
Ref	Part Number	Part Name	Qty	IC	S/N	Lbs	Remarks
010	6C200-72100	KIT COVER PTO (A)	1			2.75	ENGLISH
015	6C200-72000	KIT COVER PTO (B)	1			2.886	FRENCH
020	TA040-49593	LABEL PTO WARNING	1			0.002	ENGLISH
025	TA041-49590	LABEL PTO WARNING	1			0.002	FRENCH
030	6C140-47440	LABEL DRAWBAR	1			0.002	ENGLISH
035	6C141-47440	LABEL DRAWBAR	1			0.002	FRENCH
040	01153-50820	BOLT	2			0.026	

PTO PROTECTOR

Ref	Part Number	Part Name	Qty	IC	S/N	Lbs	Remarks
050	04512-60080	WASHER SPRING	2			0.004	

Silverhorn.CO.UK

FRONT GRILLE



32741-070-10

FRONT GRILLE

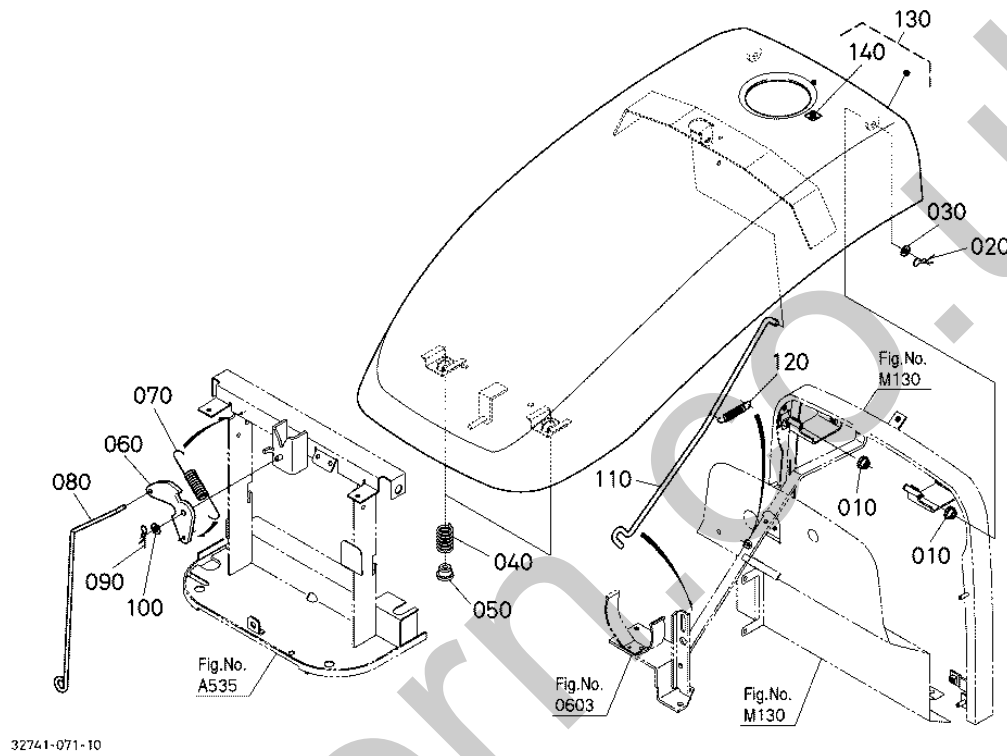
Ref	Part Number	Part Name	Qty	IC	S/N	Lbs	Remarks
010	32741-54402	ASSY GRILLE FRONT	1			2.64	
020	32741-54412	GRILLE FRONT	1			0	
030	RC411-57220	MARK EMBLEM K	1			0.033	
040	RA111-43690	NUT	2			0.002	
050	55611-44210	PLATE WASHER	2			0.015	
060	6C200-54500	STAY	1			0.572	
070	03034-50820	SCREW WITH WASHER	2			0.033	

FRONT GRILLE

Ref	Part Number	Part Name	Qty	IC	S/N	Lbs	Remarks
080	01820-50620	BOLT KNOB	2			0.033	

Silverhorn.CO.UK

BONNET



BONNET

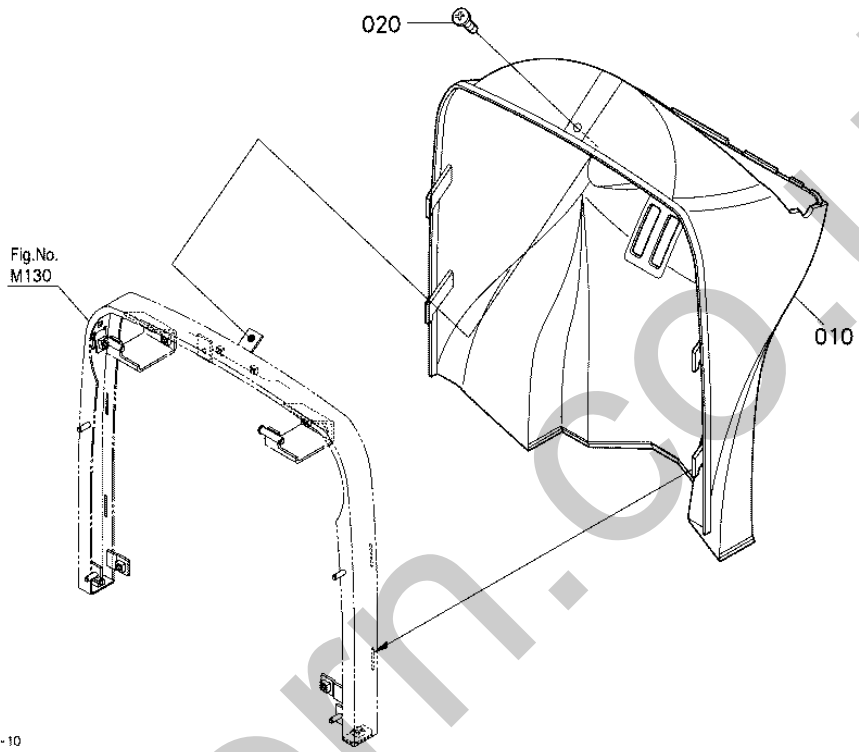
Ref	Part Number	Part Name	Qty	IC	S/N	Lbs	Remarks
010	6A100-54192	BUSH	2			0.002	
020	05515-60800	PIN SNAP	1			0.004	
030	04013-60080	WASHER PLAIN	1			0.004	
040	6C040-54163	SPRING	2			0.048	
050	T1270-41140	CUSHION	2			0.015	
060	32781-41212	HOLDER BONNET	1			0.33	
070	32781-41122	SPRING	1			0.022	

BONNET

Ref	Part Number	Part Name	Qty	IC	S/N	Lbs	Remarks
080	32741-41560	LEVER BONNET	1			0	
090	05515-60800	PIN SNAP	1			0.004	
100	04013-60080	WASHER PLAIN	1			0.004	
110	32741-54512	ROD BONNET	1			0	
120	56811-31430	SPRING	1			0.039	
130	32741-99250	KIT BONNET	1			0	
140	6C040-47412	LABEL FILLER CAUTION	1			0.002	

Silverhorn.CO.UK

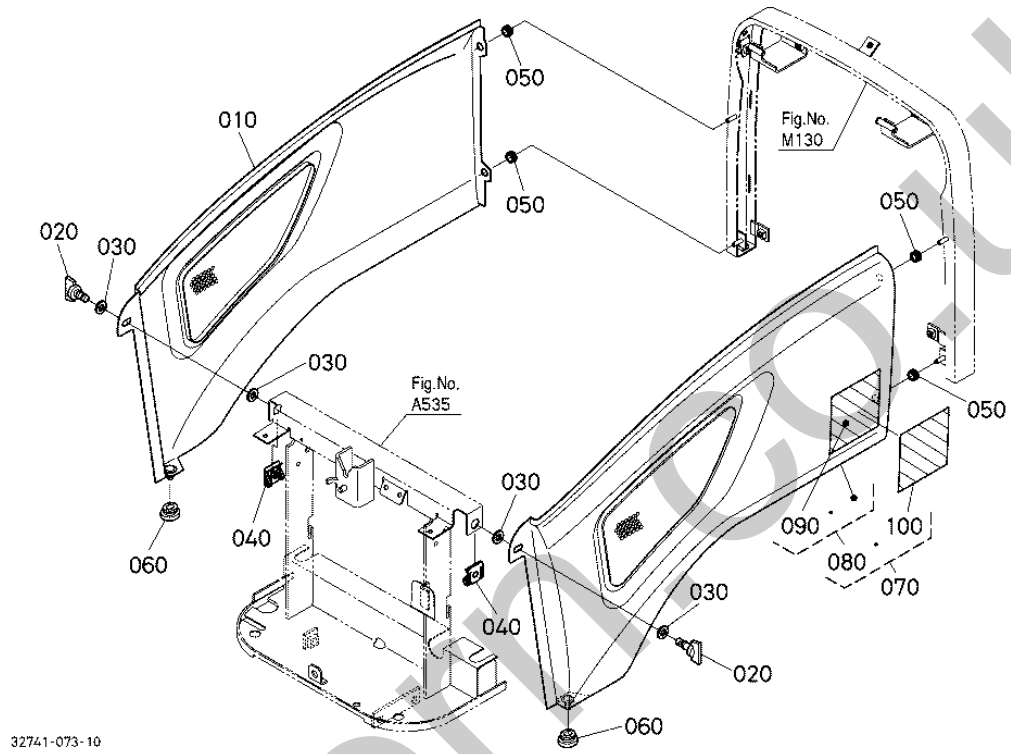
PANEL COVER



PANEL COVER

Ref	Part Number	Part Name	Qty	IC	S/N	Lbs	Remarks
010	6C200-53510	COVER LOWER PANEL	1			4.18	
020	37410-61720	SCREW	1			0.002	

SIDE COVER



SIDE COVER

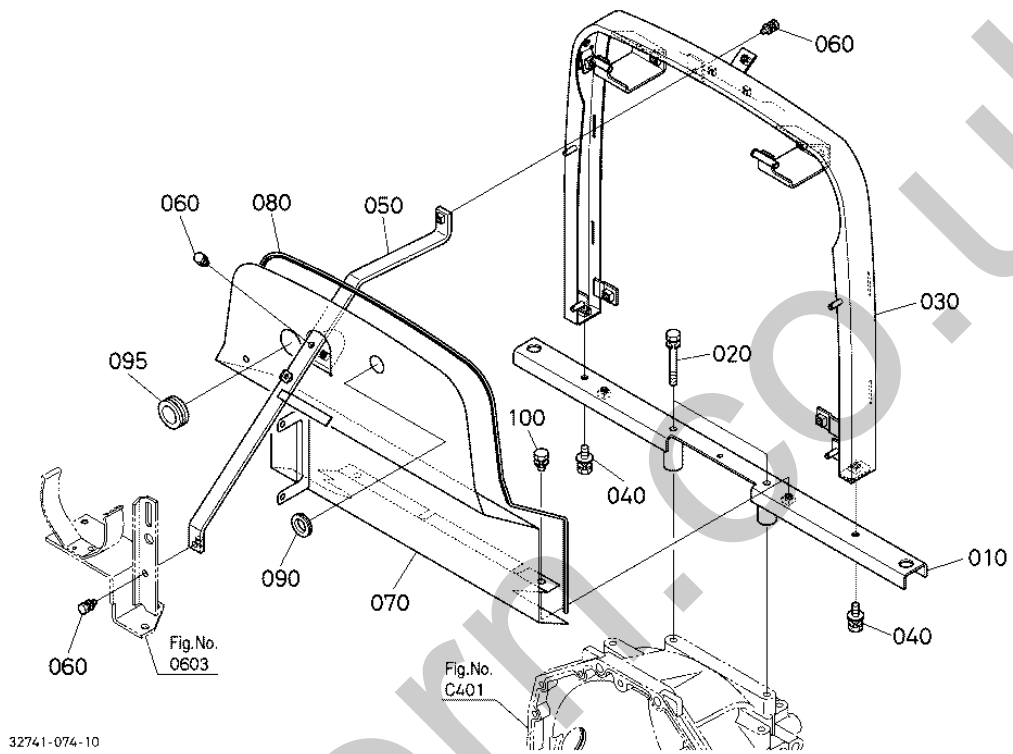
Ref	Part Number	Part Name	Qty	IC	S/N	Lbs	Remarks
010	32741-54352	COMP.SKIRT RH	1			0	
020	TD060-41380	HOLDER	2			0.039	
030	32771-41460	PLATE RETAINER	4			0.002	
040	TD060-41390	HOLDER RECEPTACLE	2			0.024	
050	66591-54580	RUBBER RELEASE ROD	4			0.004	
060	6A671-54390	GROMMET	2			0.013	
070	32741-99302	KIT COVER SIDE LH(B)	1			0	FRENCH

SIDE COVER

Ref	Part Number	Part Name	Qty	IC	S/N	Lbs	Remarks
080	32741-99352	KIT COVER SIDE LH(A)	1			0	ENGLISH
090	6C090-49650	LABEL START CAUTION	1			0.011	ENGLISH
100	6C091-49650	LABEL START CAUTION	1			0.022	FRENCH

Silverhorn.CO.UK

SHUTTER PLATE



32741-074-10

SHUTTER PLATE

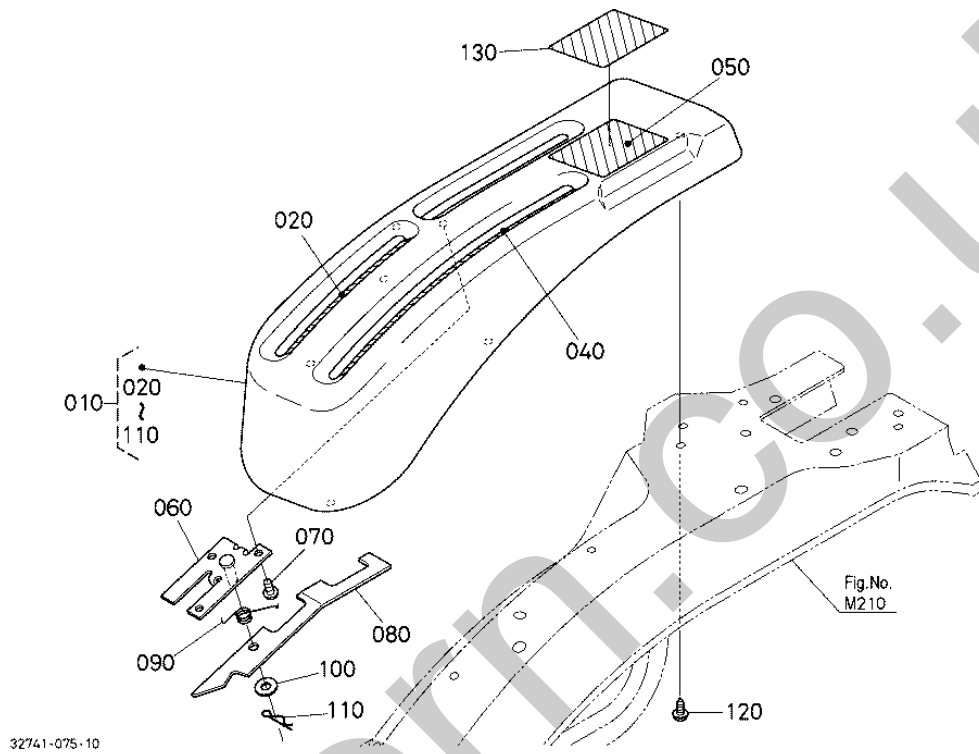
Ref	Part Number	Part Name	Qty	IC	S/N	Lbs	Remarks
010	32741-54210	BEAM CENTER	1			0	
020	01123-50865	BOLT	2			0.061	
030	32741-54223	PILLAR CENTER UPPER	1			0	
040	6C040-54610	BOLT	2			0.030	
050	32741-54232	STAY PILLAR	1			0.99	
060	01025-50616	BOLT	3			0.011	
070	32741-54553	PLATE SHUTTER	1			0	

SHUTTER PLATE

Ref	Part Number	Part Name	Qty	IC	S/N	Lbs	Remarks
080	6A700-54560	TRIM	1			0.396	L=1380mm
090	54721-38340	GROMMET	1			0.006	
095	67061-54660	CUSHION	1			0.017	
100	01123-60816	BOLT	2			0.022	

Silverhorn.CO.UK

LEVER GUIDE LH



LEVER GUIDE LH

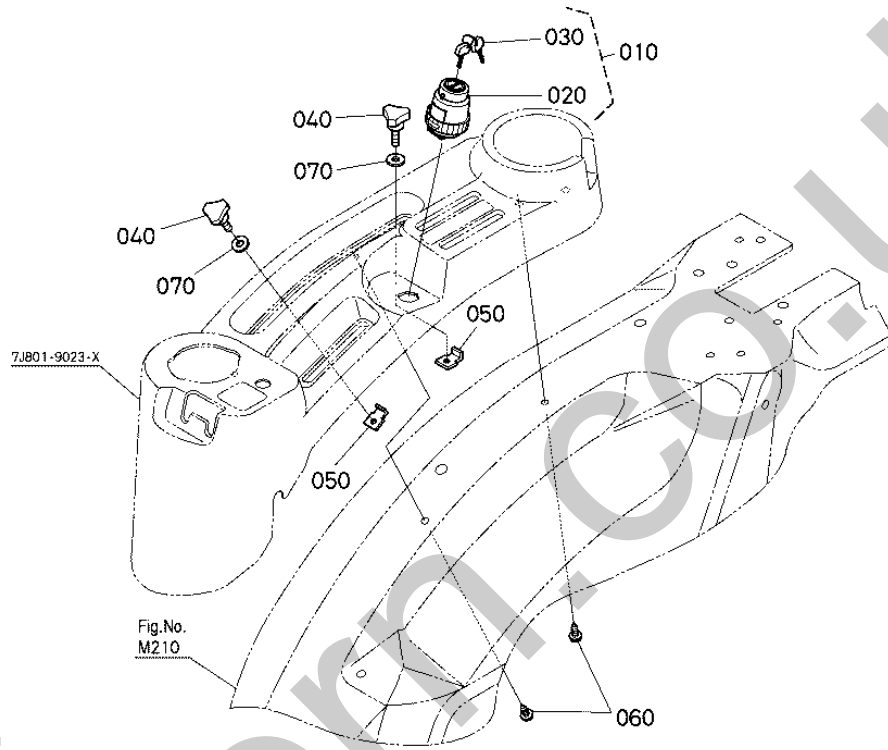
Ref	Part Number	Part Name	Qty	IC	S/N	Lbs	Remarks
010	32741-52102	ASSY GUIDE LEVER LH	1			1.386	
020	6C200-47470	LABEL	1			0.002	
040	6C200-47440	LABEL RANGE SHIFT	1			0.006	
050	6C200-47330	LABEL S-CHANGE	1			0.008	ENGLISH
060	6C200-52212	STAY PTO	1			0.165	
070	03514-50612	SCREW TAPPING	3			0.004	
080	6C200-52222	PLATE CHECK	1			0.187	

LEVER GUIDE LH

Ref	Part Number	Part Name	Qty	IC	S/N	Lbs	Remarks
090	6C200-52230	SPRING	1			0.006	
100	04013-60080	WASHER PLAIN	1			0.004	
110	05525-50800	PIN SNAP	1			0.002	
120	6A540-54140	SCREW	4			0.011	
130	6C201-47330	LABEL S-CHANGE	1			0.002	FRENCH

Silverhorn.co.uk

LEVER GUIDE RH



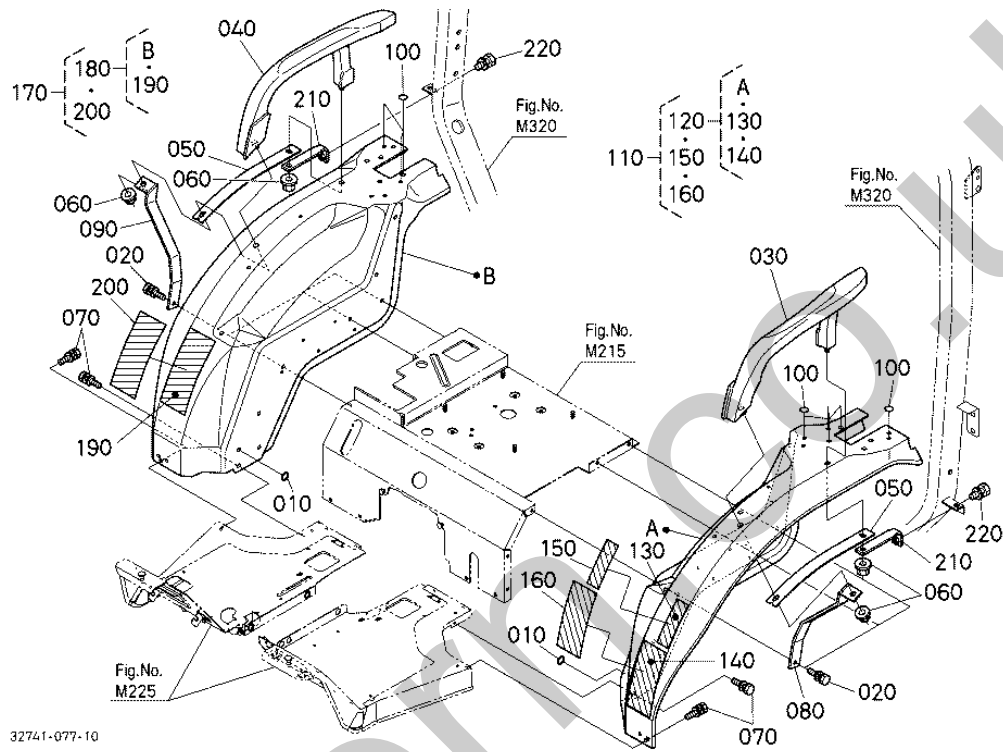
32741-076-11

LEVER GUIDE RH

Ref	Part Number	Part Name	Qty	IC	S/N	Lbs	Remarks
010	K7571-62100	ASSY SWITCH STARTER	1			0.198	
020	K7571-62110	SWITCH STARTER	1			0.165	
030	PL501-68920	KEY STARTER	1			0.039	2P/SET
040	37410-52610	SCREW KNOB	2			0.033	
050	6A320-52140	HOLDER	2			0.013	
060	6A540-54140	SCREW	2			0.011	
070	32741-52390	WASHER	2			0	

Silverhorn.CO.UK

FENDER



32741-077-10

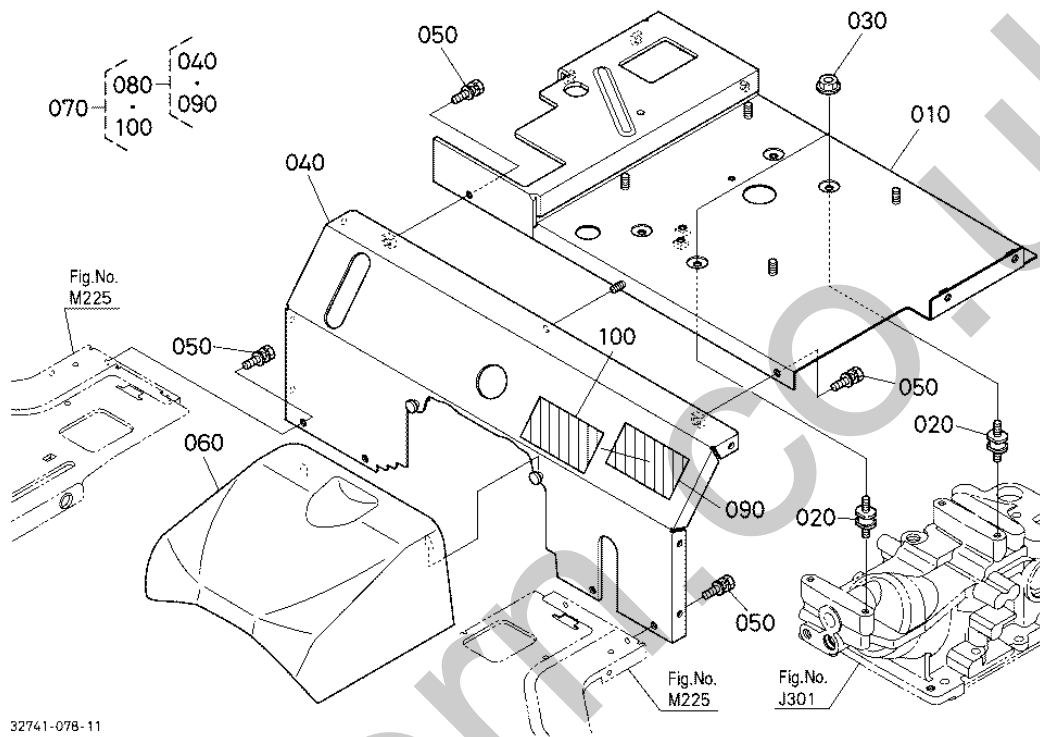
FENDER

Ref	Part Number	Part Name	Qty	IC	S/N	Lbs	Remarks
010	6A741-52740	SEAL	2			0.002	
020	01125-60820	BOLT	6			0.033	
030	6C200-52173	HANDRAIL LH	1			1.386	
040	6C200-52183	HANDRAIL RH	1			1.386	
050	6A700-52130	STAY	2			0.55	
060	02783-50100	NUT FLANGE	4			0.022	
070	01125-60820	BOLT	8			0.033	

FENDER

Ref	Part Number	Part Name	Qty	IC	S/N	Lbs	Remarks
080	32741-52830	PLATE FENDER LH	1			0	
090	32741-52840	PLATE FENDER RH	1			0	
100	6A741-52740	SEAL	8			0.002	
110	6C200-99100	KIT FENDER LH(A)	1			11	FRENCH
120	6C200-99130	KIT FENDER LH(A)	1			6.38	ENGLISH
130	6C070-47422	LABEL SAFETY	1			0.011	ENGLISH
140	6C150-47430	LABEL PARKING WARNI.	1			0.004	ENGLISH
150	6C071-47422	LABEL SAFETY	1			0.011	FRENCH
160	6C151-47430	LABEL PARKING WARNI.	1			0.004	FRENCH
170	6C200-99160	KIT FENDER RH(B)	1			13.2	FRENCH
180	6C200-99140	KIT FENDER RH(A)	1			6.38	ENGLISH
190	TA040-49320	LABEL ROPS WARNING	1			0.002	ENGLISH
200	TA040-49150	LABEL ROPS WARNING	1			0.006	FRENCH
210	32741-34790	STAY FENDER	2			0	
220	01133-51025	BOLT	2			0.050	

FLOOR SHEET



32741-078-11

FLOOR SHEET

Ref	Part Number	Part Name	Qty	IC	S/N	Lbs	Remarks
010	32741-51347	COVER SEAT UNDER	1	>>	>=50198	13.77	
010	32741-51346	COVER SEAT UNDER	1		<=50197	0	
020	14911-41410	CUSHION RUBBER	4			0.085	
030	02121-50080	NUT	4			0.022	
040	32741-51370	COVER FRONT	1			4.884	
050	01125-60820	BOLT	6			0.033	
060	6C200-51353	COVER FRONT	1	>>	>=50033	0.572	

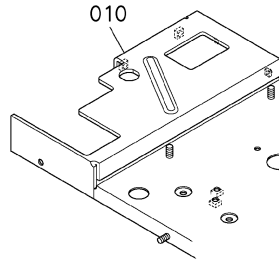
FLOOR SHEET

Ref	Part Number	Part Name	Qty	IC	S/N	Lbs	Remarks
060	6C200-51352	COVER FRONT	1		<=50032	0.572	
070	32741-99400	KIT COVER SEAT (B)	1			0	FRENCH
080	32741-99450	KIT COVER SEAT (A)	1			0	ENGLISH
090	32751-49210	LABEL SEAT WARNING	1			0.004	ENGLISH
100	32765-49210	LABEL SEAT WARNING	1			0.004	FRENCH

Silverhorn.co.uk

FLOOR SHEET

OLD PARTS

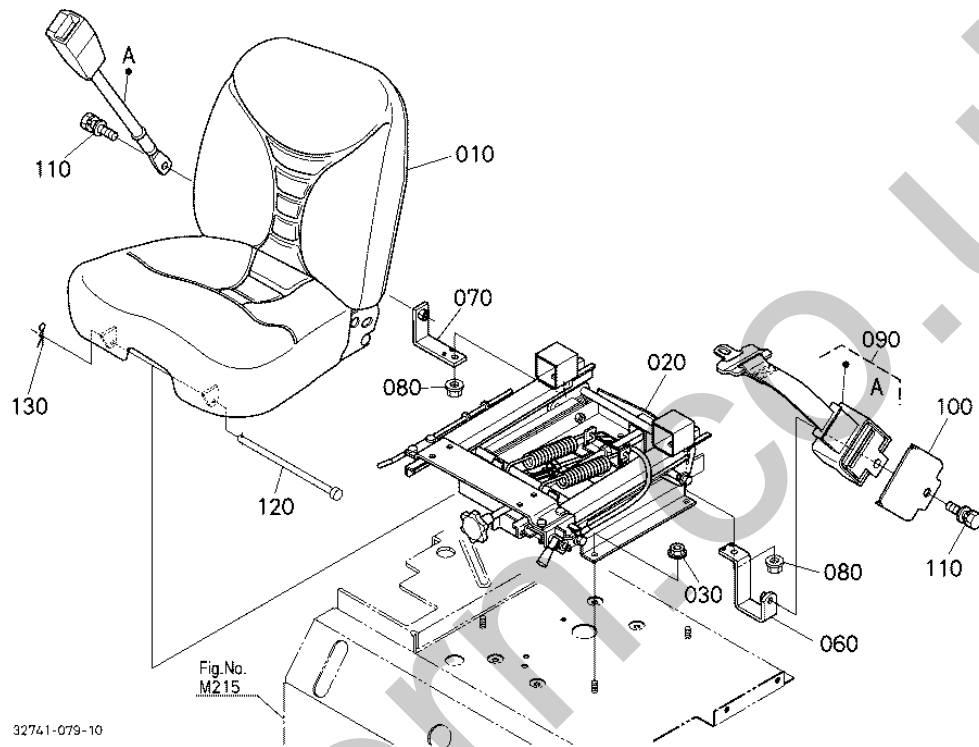


32741-802-10

FLOOR SHEET

Ref	Part Number	Part Name	Qty	IC	S/N	Lbs	Remarks
010	32741-51347	COVER SEAT UNDER	1	>>	>=50198	13.77	
010	32741-51346	COVER SEAT UNDER	1		<=50197	0	

SEAT SUPPORT



SEAT SUPPORT

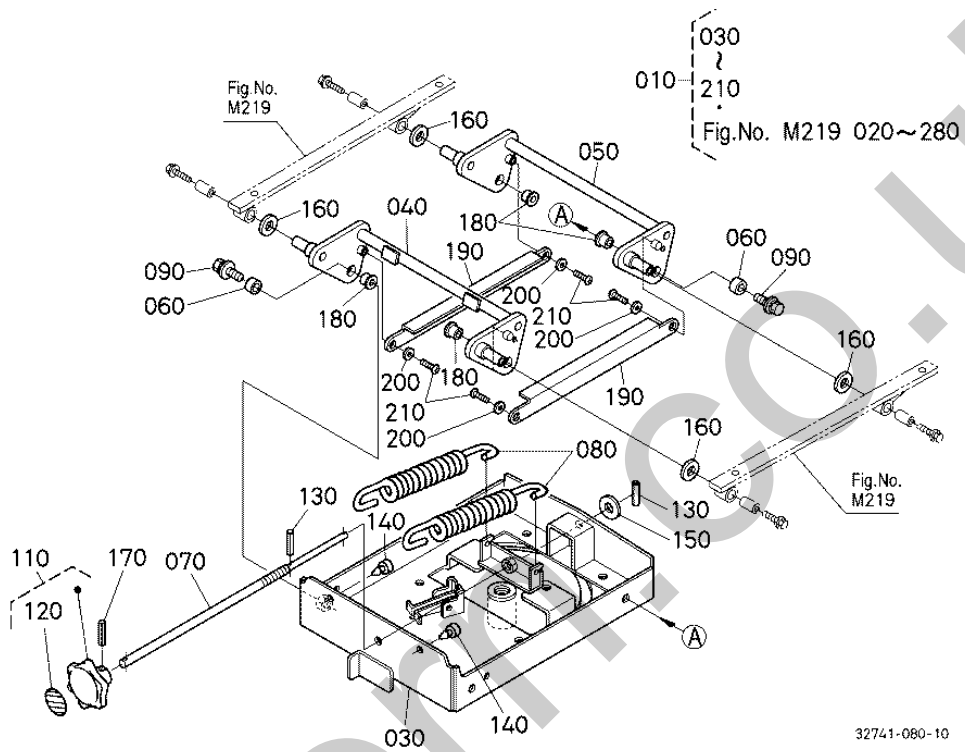
Ref	Part Number	Part Name	Qty	IC	S/N	Lbs	Remarks
010	32781-47700	ASSY SEAT	1			0	
020	32741-47853	ASSY SUSPENSION SEAT	1			0	
030	02763-50080	NUT FLANGE	4			0.013	
060	32781-47784	STAY	1			0.484	
070	32781-47773	STAY SEAT BELT RH	1			0.33	
080	02763-50080	NUT FLANGE	2			0.013	
090	K2561-56850	ASSY BELT SEAT	1			1.782	

SEAT SUPPORT

Ref	Part Number	Part Name	Qty	IC	S/N	Lbs	Remarks
100	TC050-18472	COVER BELT SEAT	1			0.198	
110	01135-61025	BOLT	2			0.088	
120	56811-35462	PIN	1			0.22	
130	05525-50800	PIN SNAP	1			0.002	

Silverhorn.CO.UK

SEAT SUSPENSION [COMPONENT PARTS] 1



SEAT SUSPENSION [COMPONENT PARTS] 1

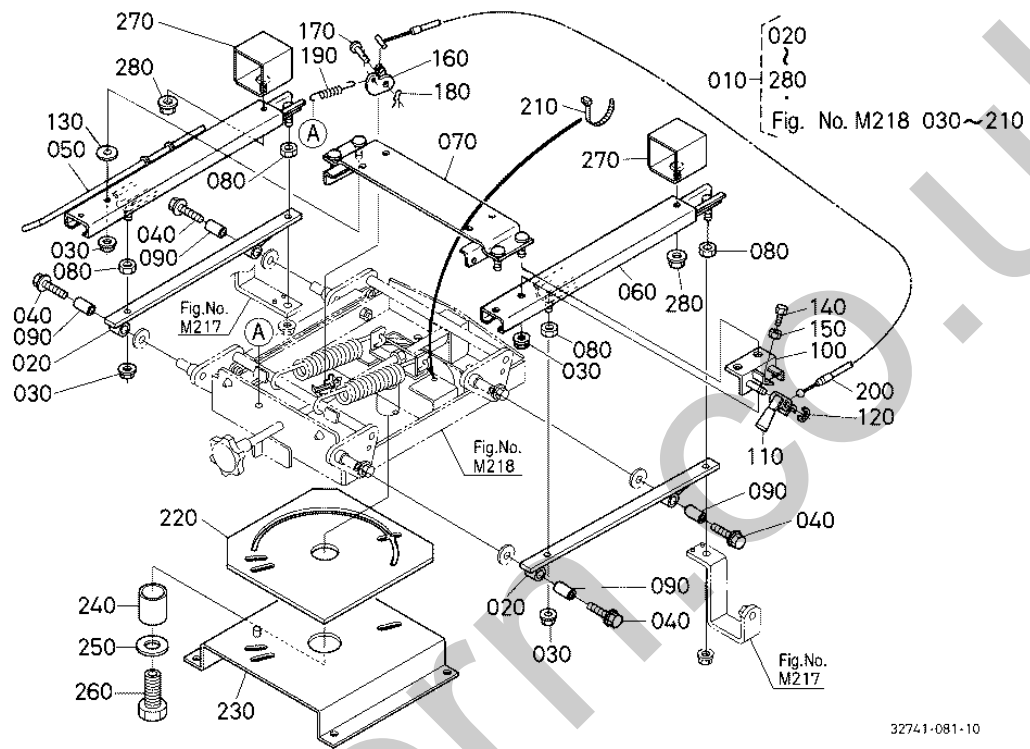
Ref	Part Number	Part Name	Qty	IC	S/N	Lbs	Remarks
010	32741-47853	ASSY SUSPENSION SEAT	1			0	
030	32781-11820	FRAME SUSPENSION	1			9.24	
040	32771-11830	COMP.LINK	1			1.474	
050	TA140-11830	COMP.LINK	1			1.364	
060	TA140-11840	SPACER SUSPENSION	4			0.011	
070	32741-11990	SHAFT	1			0	
080	TA140-11860	SPRING SUSPENSION	2			0.528	

SEAT SUSPENSION [COMPONENT PARTS] 1

Ref	Part Number	Part Name	Qty	IC	S/N	Lbs	Remarks
090	TA140-11870	BOLT	4			0.033	
110	TA140-11890	KNOB ADJUST	1			0.231	
120	TA140-11900	LABEL ADJUST	1			0.002	
130	TA140-11910	PIN SPRING	2			0.002	
140	TA140-11920	CUSHION	2			0.013	
150	TA140-11930	WASHER PLAIN	1			0.022	
160	TA140-11940	SHIM	4			0.002	
170	TA140-11950	PIN SPRING	1			0.004	
180	TA140-11960	BUSH SUSPENSION	4			0.006	
190	TA140-11980	PLATE	2			0.451	
200	TA140-11710	BUSH PLATE	4			0.006	
210	TA140-11720	SCREW	4			0.013	

Silverhorn.co.uk

SEAT SUSPENSION [COMPONENT PARTS] 2



32741-081-10

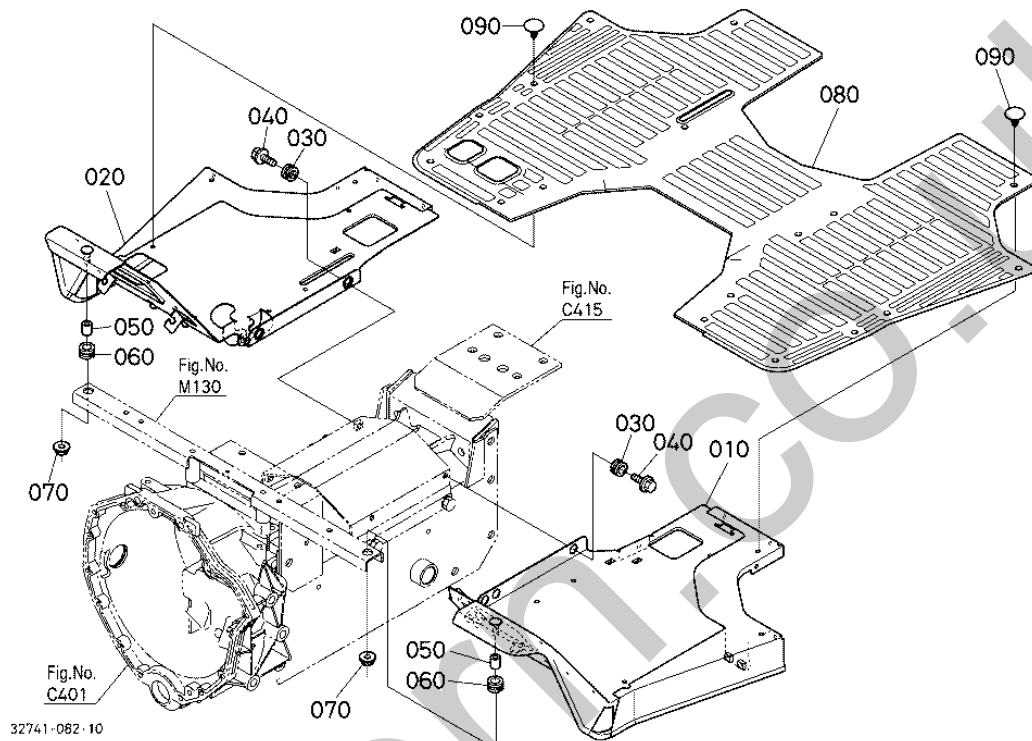
SEAT SUSPENSION [COMPONENT PARTS] 2

Ref	Part Number	Part Name	Qty	IC	S/N	Lbs	Remarks
010	32741-47853	ASSY SUSPENSION SEAT	1			0	
020	32771-18370	PLATE	2			0.891	
030	02751-50080	NUT FLANGE	6			0.013	
040	TA140-18320	BOLT FLANGE	4			0.026	
050	32741-18330	RAIL RH	1			0	
060	TA140-18340	RAIL LH	1			2.035	
070	TA140-18350	BRACKET	1			1.595	

SEAT SUSPENSION [COMPONENT PARTS] 2

Ref	Part Number	Part Name	Qty	IC	S/N	Lbs	Remarks
080	02114-50100	NUT	4			0.011	
090	TA140-18410	BUSH	4			0.013	
100	32771-18430	COMP.BRACKET KNOB	1			0.22	
110	32771-18440	COMP.PLATE KNOB	1			0.077	
120	32771-18450	CIR CLIP EXTERNAL	1			0.002	
130	32771-18460	WASHER PLAIN	2			0.022	
140	32771-18470	BOLT	1			0.013	
150	32771-18480	NUT	1			0.004	
160	32771-18490	COMP.PLATE LOCK	1			0.132	
170	32771-18510	PIN JOINT	1			0.041	
180	32771-18520	PIN SNAP	1			0.004	
190	32771-18530	SPRING	1			0.048	
200	32771-18540	WIRE	1			0.088	
210	32771-18550	CLAMP	1			0.004	
220	32771-18560	PLATE TURN	1			0.374	
230	32771-18570	COMP.BASE TURN	1			6.49	
240	32771-18580	BUSH	1			0.094	
250	32771-18592	WASHER PLAIN	1			0.044	
260	32771-18612	BOLT	1			0.033	
270	32781-11860	SPACER	2			0.517	
280	02751-50080	NUT FLANGE	2			0.013	

STEP



STEP

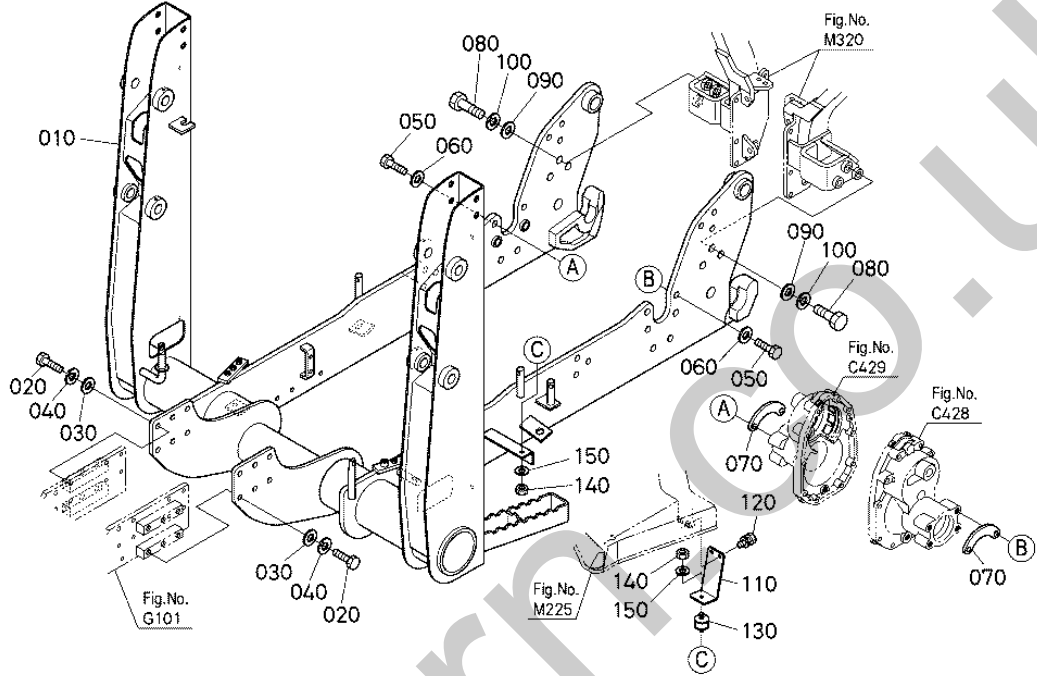
Ref	Part Number	Part Name	Qty	IC	S/N	Lbs	Remarks
010	6C200-51315	COMP.STEP LH	1			6.974	
020	6C200-51320	COMP.STEP RH	1			6.336	
030	6A700-51330	CUSHION	4			0.004	
040	6C040-51342	BOLT	4			0.037	
050	6C040-51390	COLLAR	2			0.006	
060	6A100-51380	CUSHION	2			0.006	
070	02121-50080	NUT	2			0.022	

STEP

Ref	Part Number	Part Name	Qty	IC	S/N	Lbs	Remarks
080	6C200-51362	MAT STEP	1			4.136	
090	67955-51340	STOPPER	17			0.002	

Silverhorn.CO.UK

MAIN FLAME



32741-100-10

MAIN FLAME

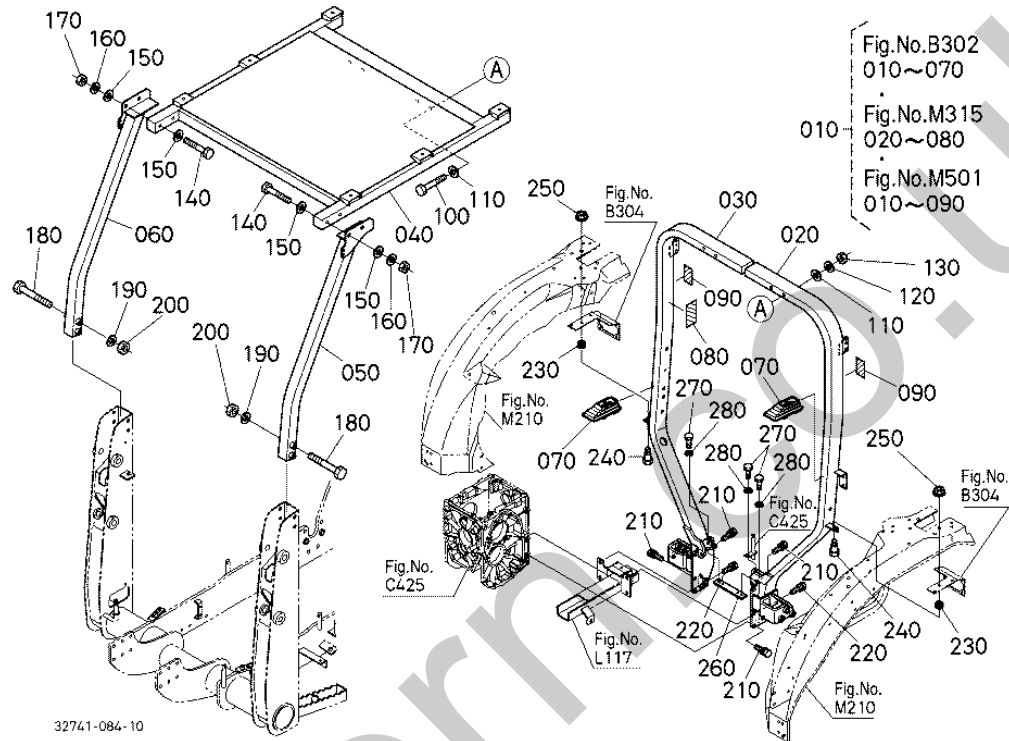
Ref	Part Number	Part Name	Qty	IC	S/N	Lbs	Remarks
010	99999-99999	FRAME MAIN	1			0	
020	01176-51435	BOLT	12			0.123	
030	75599-32516	WASHER PLAIN	12			0.024	
040	04512-60140	WASHER SPRING	12			0.017	
050	01128-51245	BOLT	8			0	
060	75599-32515	WASHER PLAIN	8			0.022	
070	32741-29140	SPACER	2			0	

MAIN FLAME

Ref	Part Number	Part Name	Qty	IC	S/N	Lbs	Remarks
080	01073-51650	BOLT	6			0.231	
090	75599-32517	WASHER PLAIN	6			0.035	
100	04512-60160	WASHER SPRING	6			0.022	
110	32741-29160	STAY FENDER	1			0	
120	01123-60816	BOLT	2			0.022	
130	PN201-82240	CUSHION RUBBER	1			0.165	
140	02156-50080	NUT	2			0.008	
150	04512-60080	WASHER SPRING	2			0.004	

Silverhorn.CO.UK

ROPS/FOPS



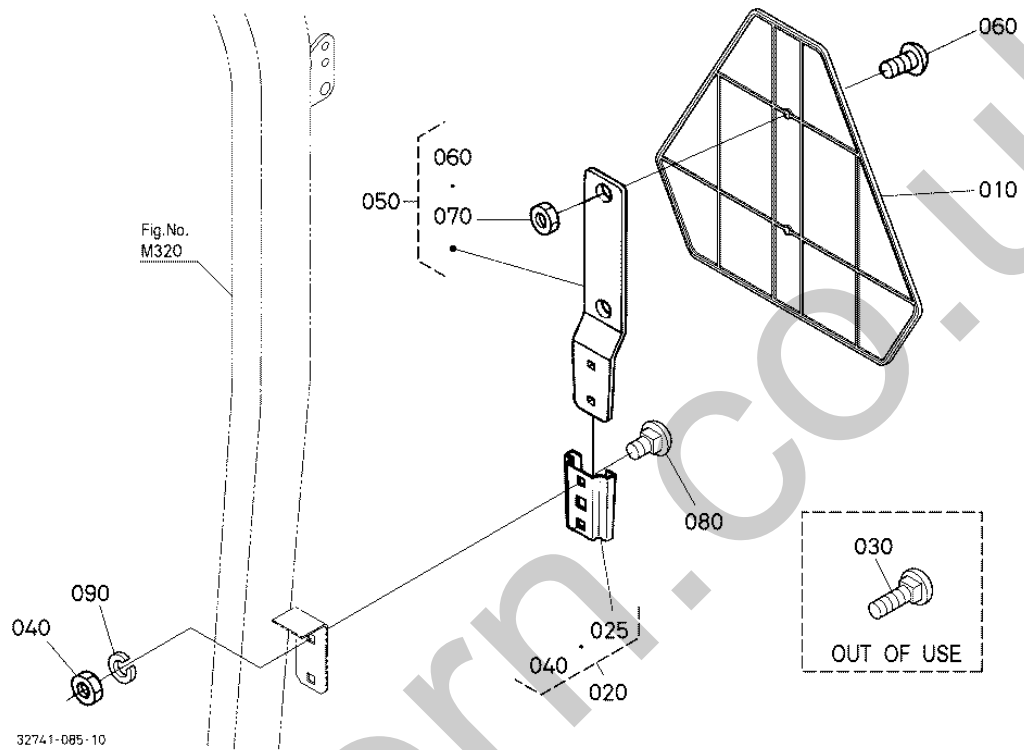
ROPS/FOPS

Ref	Part Number	Part Name	Qty	IC	S/N	Lbs	Remarks
010	32741-34700	ASSY ROPS FOPS	1			0	
020	99999-99999	COMP.FRAME LH	1			0	
030	99999-99999	COMP.FRAME RH	1			0	
040	99999-99999	COMP.FRAME UPPER	1			0	
050	99999-99999	COMP.FRAME FRONT LH	1			0	
060	99999-99999	COMP.FRAME FRONT RH	1			0	
070	32741-34862	GROMMET ROPS	2			0	

ROPS/FOPS

Ref	Part Number	Part Name	Qty	IC	S/N	Lbs	Remarks
080	6C140-47460	LABEL ROPS WARNING	1			0.002	ENGLISH
080	6C141-47460	LABEL ROPS WARNING	1			0.002	FRENCH
090	K2591-65410	LABEL REFLECTOR	2			0.022	
100	01173-51202	BOLT	4			0.22	
110	04015-60120	WASHER PLAIN	8			0.048	
120	04512-60120	WASHER SPRING	4			0.011	
130	02176-50120	NUT	4			0.022	
140	01173-51280	BOLT	4			0.22	
150	04015-60120	WASHER PLAIN	8			0.048	
160	04512-60120	WASHER SPRING	4			0.011	
170	02176-50120	NUT	4			0.022	
180	01176-51402	BOLT	4			0.297	
190	04512-60140	WASHER SPRING	4			0.017	
200	02076-50140	NUT	4			0.048	
210	01123-51235	BOLT	8			0.090	
220	01123-51240	BOLT	2			0.105	
230	6A100-51380	CUSHION	2			0.006	
240	6C040-51342	BOLT	2			0.037	
250	02121-50080	NUT	2			0.022	
260	99999-99999	PLATE CONNECTOR	1			0	
270	0Y109-50616	BOLT	4			0.44	
280	0Y450-50060	WASHER SPRING	4			0.006	

SMV EMBLEM



SMV EMBLEM

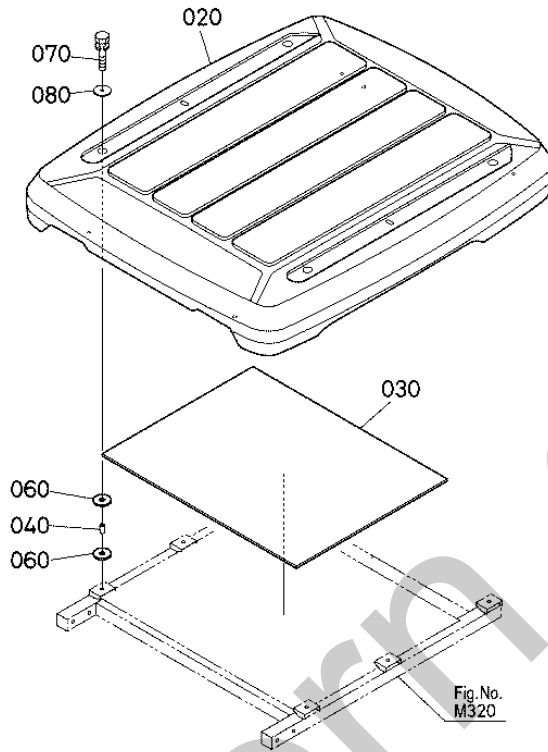
Ref	Part Number	Part Name	Qty	IC	S/N	Lbs	Remarks
010	7L500-89912	SIGN SMV	1			0.704	
020	7L500-89920	SOCKET SMV SIGN	1			0.22	
025	7L500-89930	SOCKET-MTG SMV	1			0.11	
030	7L500-89940	BOLT SQUARE NECK	2			0.022	OUT OF USE
040	7L500-89950	NUT	2			0.008	
050	7L500-89960	SPADE SMV SIGN	1			0.528	
060	7L500-89980	SCREW PAN HEAD	2			0.044	

SMV EMBLEM

Ref	Part Number	Part Name	Qty	IC	S/N	Lbs	Remarks
070	7L500-89990	NUT	2			0.002	
080	7L500-89810	BOLT SQUARE NECK	2			0.024	
090	04512-60080	WASHER SPRING	2			0.004	

Silverhorn.CO.UK

CANOPY



020
 }
 080
 Fig.No.B302
 010~070
 Fig.No.M320
 020~200
 Fig.No.M501
 010~090

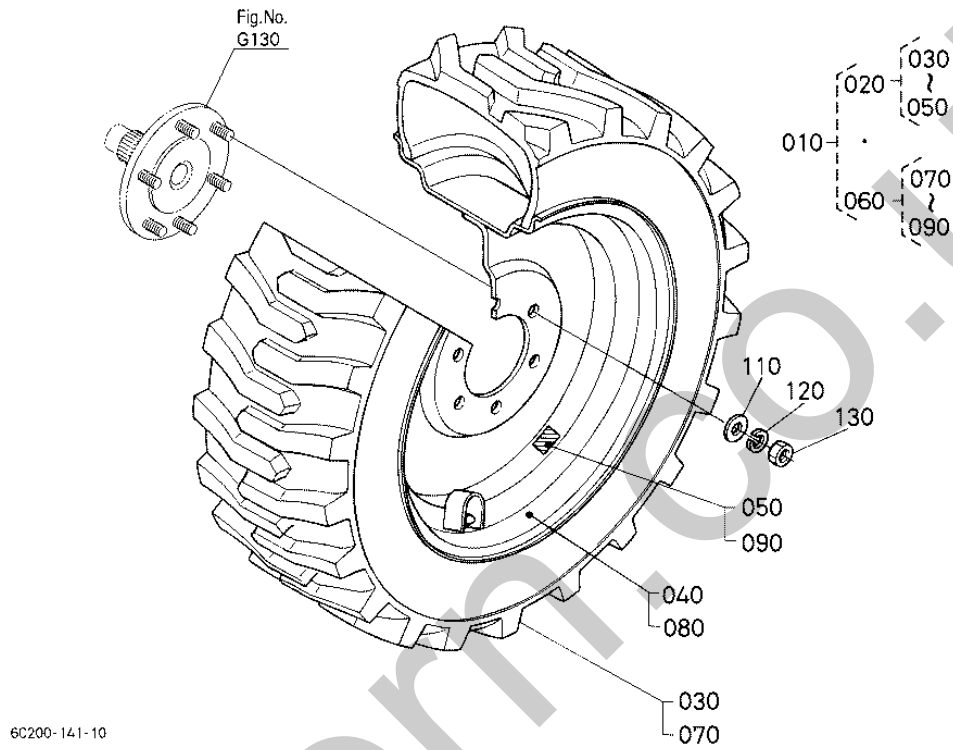
32741-083-11

CANOPY

Ref	Part Number	Part Name	Qty	IC	S/N	Lbs	Remarks
010	32741-34700	ASSY ROPS FOPS	1			0	
020	32781-34963	COMP.CANOPY	1			0	
030	32741-34990	ACOUSTICFORM	1			0	
040	32781-34880	COLLAR	6			0	
060	32781-34870	CUSHION(FOPS)	12			0	
070	01133-51055	BOLT	6			0.085	
080	32781-34890	WASHER PLAIN	6			0	

Silverhorn.CO.UK

FRONT WHEEL (23*8.50-14R4)



6C200-141-10

FRONT WHEEL (23*8.50-14R4)

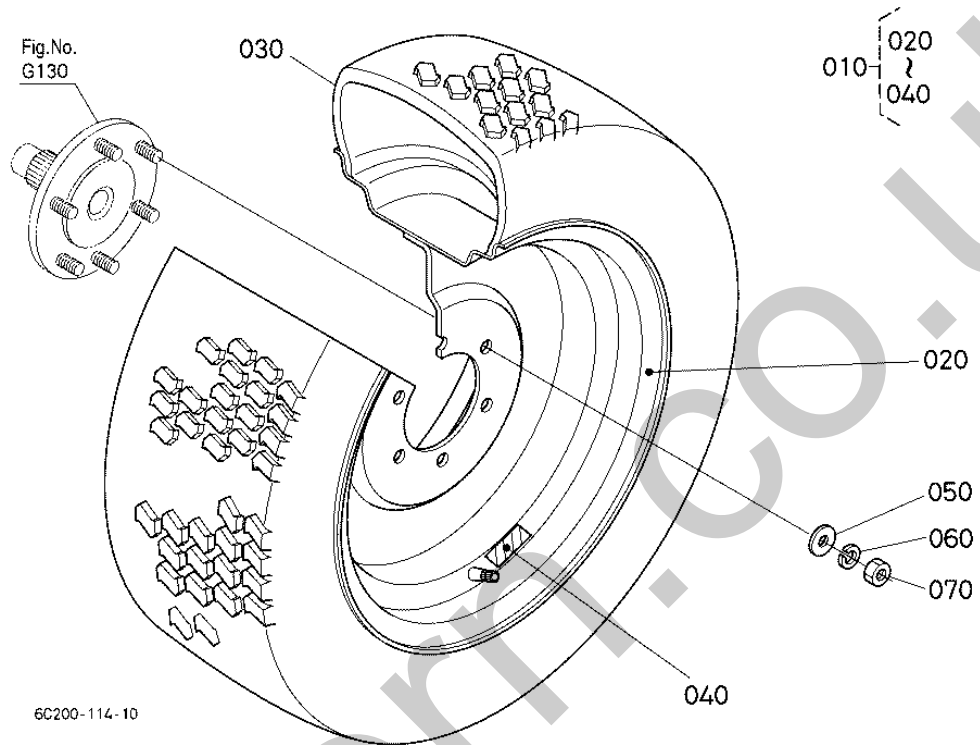
Ref	Part Number	Part Name	Qty	IC	S/N	Lbs	Remarks
010	32721-50500	ASSY TIRE	1			0	
020	32721-50510	ASSY TIRE RH	1			0	
030	32721-50530	TIRE	1			24.2	
040	32721-50540	WHEEL	1			24.2	
050	99999-99999	LABEL RH	1			0	
060	32721-50520	ASSY TIRE LH	1			0	
070	32721-50530	TIRE	1			24.2	

FRONT WHEEL (23*8.50-14R4)

Ref	Part Number	Part Name	Qty	IC	S/N	Lbs	Remarks
080	32721-50540	WHEEL	1			24.2	
090	99999-99999	LABEL LH	1			0	
110	04013-60120	WASHER PLAIN	12			0.022	
120	04512-60120	WASHER SPRING	12			0.011	
130	02176-50120	NUT	12			0.022	

Silverhorn.CO.UK

FRONT WHEEL (24*8.50-14)

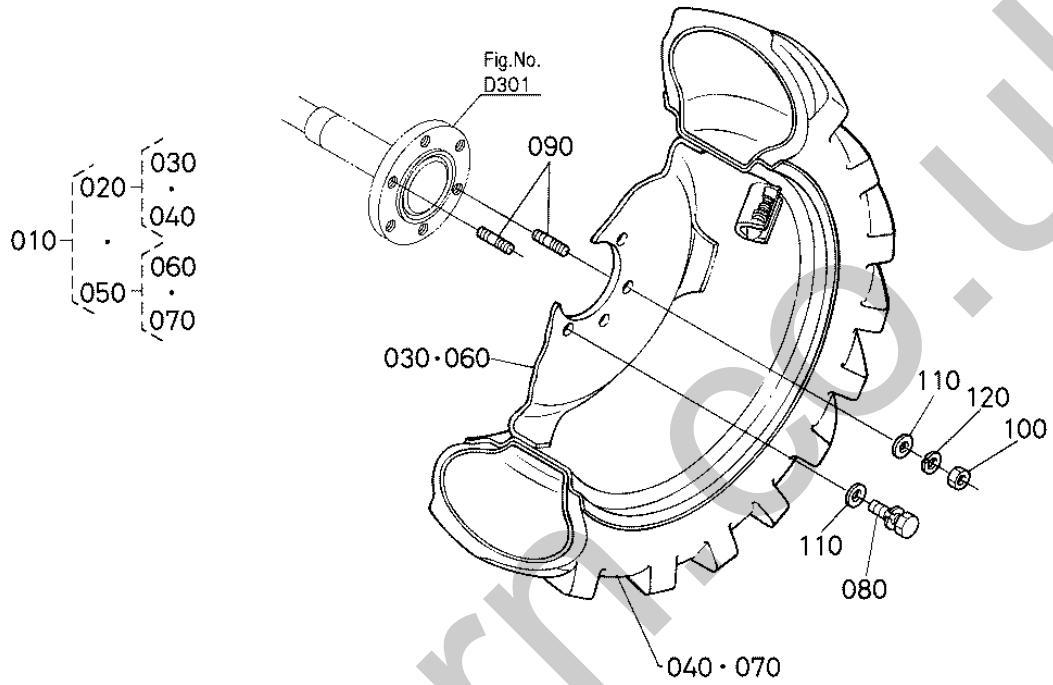


FRONT WHEEL (24*8.50-14)

Ref	Part Number	Part Name	Qty	IC	S/N	Lbs	Remarks
010	6C070-50220	TIRE ASSY	2			0	
020	6C070-50230	WHEEL	2			0	
030	6C070-50240	TIRE	2			0	
040	99999-99999	LABEL TIRE	2			0	
050	04013-60120	WASHER PLAIN	12			0.022	
060	04512-60120	WASHER SPRING	12			0.011	
070	02176-50120	NUT	12			0.022	

Silverhorn.CO.UK

REAR WHEEL (12.4-16R4)



6C200-117-10

REAR WHEEL (12.4-16R4)

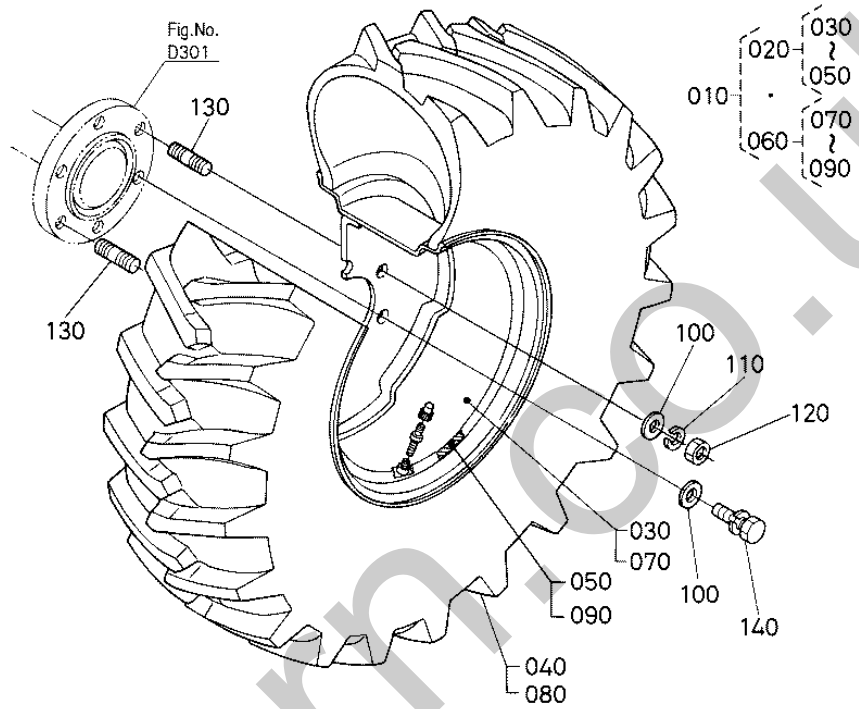
Ref	Part Number	Part Name	Qty	IC	S/N	Lbs	Remarks
010	32701-50010	ASSY REAR WHEEL	1			0	
020	32701-50110	ASSY TIRE LH	1			0	
030	32701-27950	WHEEL	1			0	
040	32701-50130	TIRE	1			33	
050	32701-50210	ASSY TIRE RH	1			0	
060	32701-27950	WHEEL	1			0	
070	32701-50130	TIRE	1			33	

REAR WHEEL (12.4-16R4)

Ref	Part Number	Part Name	Qty	IC	S/N	Lbs	Remarks
080	01133-51635	BOLT	8			0.198	
090	01517-51632	STUD	4			0.167	
100	02176-50160	NUT	4			0.046	
110	04013-60160	WASHER PLAIN	12			0.022	
120	04512-60160	WASHER SPRING	4			0.022	

Silverhorn.co.uk

REAR WHEEL (12.4-16)



6C200-115-10

REAR WHEEL (12.4-16)

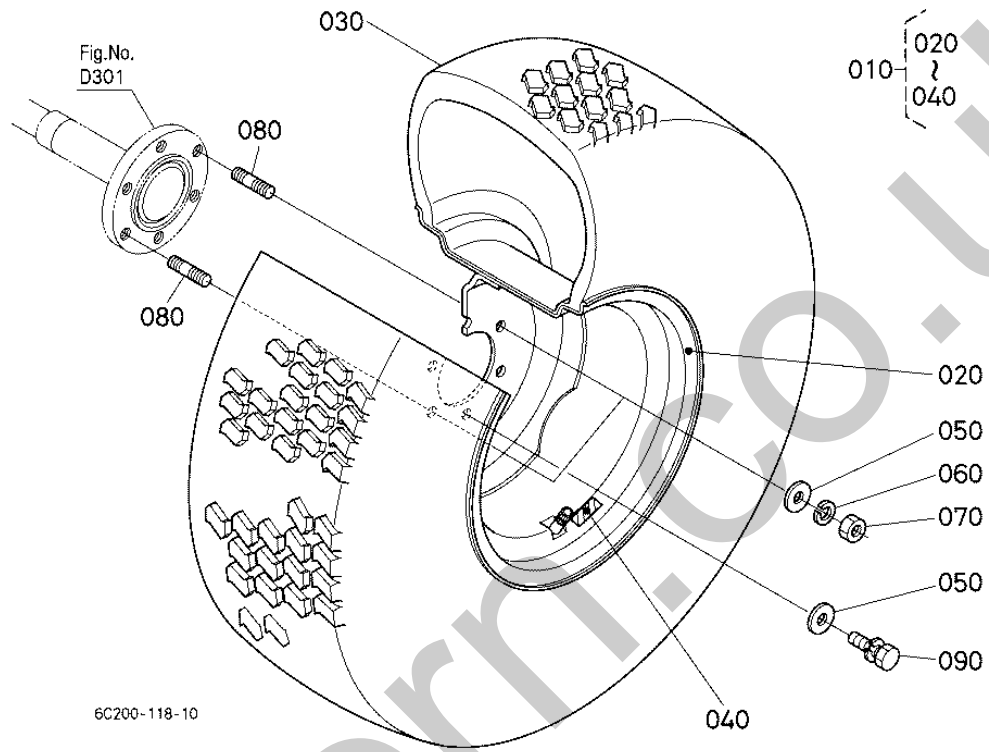
Ref	Part Number	Part Name	Qty	IC	S/N	Lbs	Remarks
010	66429-17610	ASSY TIRE	1			0	
020	66429-17620	ASSY TIRE LH	1			0	
030	32701-27950	WHEEL	1			0	
040	66429-17650	TIRE	1			0	
050	99999-99999	LABEL TIRE LH	1			0	
060	66429-17630	ASSY TIRE RH	1			0	
070	32701-27950	WHEEL	1			0	

REAR WHEEL (12.4-16)

Ref	Part Number	Part Name	Qty	IC	S/N	Lbs	Remarks
080	66429-17650	TIRE	1			0	
090	99999-99999	LABEL TIRE RH	1			0	
100	04013-60160	WASHER PLAIN	12			0.022	
110	04512-60160	WASHER SPRING	4			0.022	
120	02176-50160	NUT	4			0.046	
130	01517-51632	STUD	4			0.167	
140	01133-51635	BOLT	8			0.198	

Silverhorn.CO.UK

REAR WHEEL (13.6-10)



REAR WHEEL (13.6-10)

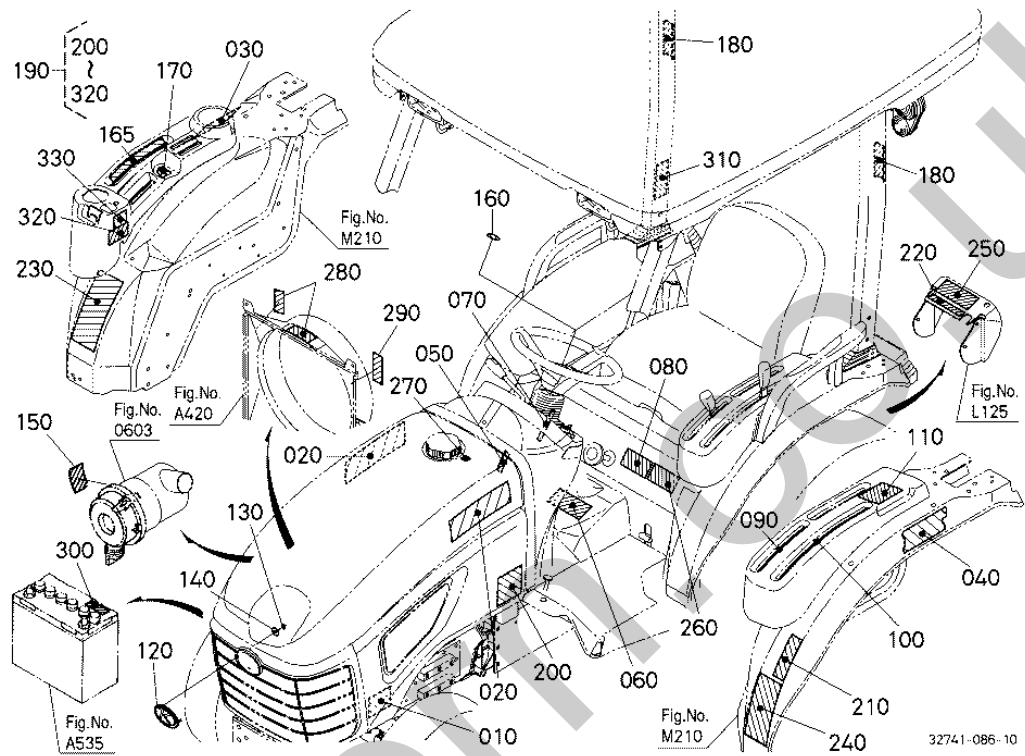
Ref	Part Number	Part Name	Qty	IC	S/N	Lbs	Remarks
010	6C070-50320	ASSY TIRE	2			0	
020	6C070-50330	WHEEL	2			0	
030	6C070-50340	TIRE	2			0	
040	99999-99999	LABEL TIRE	2			0	
050	04013-60160	WASHER PLAIN	12			0.022	
060	04512-60160	WASHER SPRING	4			0.022	
070	02176-50160	NUT	4			0.046	

REAR WHEEL (13.6-10)

Ref	Part Number	Part Name	Qty	IC	S/N	Lbs	Remarks
080	01517-51632	STUD	4			0.167	
090	01133-51635	BOLT	8			0.198	

Silverhorn.CO.UK

LABEL [ENGLISH]



LABEL [ENGLISH]

Ref	Part Number	Part Name	Qty	IC	S/N	Lbs	Remarks
010	99999-99999	NAME PLATE	1			0	
020	32741-47250	LABEL	2			0.011	
030	K2571-65250	LABEL 4WD	1			0.004	
040	6C200-47550	MARK HST	1			0.002	
050	6C040-47512	LABEL PARKING	1			0.002	
060	6C200-47480	LABEL PEDAL	1			0.004	
070	6C042-47400	LABEL 4WD	1			0.002	

LABEL [ENGLISH]

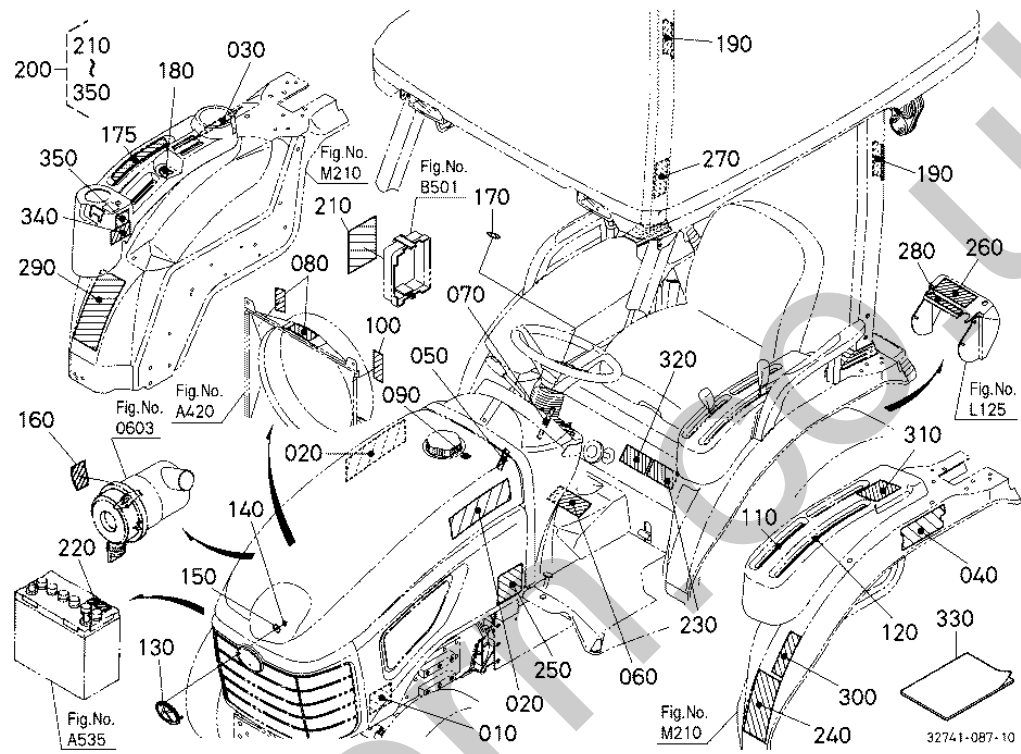
Ref	Part Number	Part Name	Qty	IC	S/N	Lbs	Remarks
080	32771-49260	LABEL SEAT CHANGE	1			0.006	
090	6C200-47470	LABEL	1			0.002	
100	6C200-47440	LABEL RANGE SHIFT	1			0.006	
110	6C200-47330	LABEL S-CHANGE	1			0.008	
120	RC411-57220	MARK EMBLEM K	1			0.033	
130	RA111-43690	NUT	2			0.002	
140	55611-44210	PLATE WASHER	2			0.015	
150	32721-58282	LABEL CAUTION	1			0.002	
160	6C200-41440	MARK STEERING WHEEL	1			0.011	
165	6C200-47350	LABEL POSITION	1			0.006	
170	6C070-47212	MARK MAIN SWITCH	1			0.002	
180	K2591-65410	LABEL REFLECTOR	2			0.022	
190	32741-47400	KIT LABEL SAFETY	1			1.082	
200	6C090-49650	LABEL START CAUTION	1			0.011	
210	6C070-47422	LABEL SAFETY	1			0.011	
220	6C140-47440	LABEL DRAWBAR	1			0.002	
230	32771-49250	LABEL ROPS WARNING	1			0.002	
240	6C150-47430	LABEL PARKING WARNI.	1			0.004	
250	TA040-49593	LABEL PTO WARNING	1			0.002	
260	32751-49210	LABEL SEAT WARNING	1			0.004	
270	6C040-47412	LABEL FILLER CAUTION	1			0.002	
280	32751-49580	LABEL FAN BELT	2			0.002	
290	TA040-49580	LABEL MUFFLER	1			0.002	
300	6C040-55590	LABEL BATTERY	1			0.002	
310	6C140-47460	LABEL ROPS WARNING	1			0.002	
320	32741-47510	LABEL SAFETY START	1			0.002	ORDER BY REF.No.19

LABEL [ENGLISH]

Ref	Part Number	Part Name	Qty	IC	S/N	Lbs	Remarks
330	32741-47520	LABEL SEAT	1			0	

Silverhorn.CO.UK

LABEL [FRENCH]



LABEL [FRENCH]

Ref	Part Number	Part Name	Qty	IC	S/N	Lbs	Remarks
010	99999-99999	NAME PLATE	1			0	
020	32741-47250	LABEL	2			0.011	
030	K2571-65250	LABEL 4WD	1			0.004	
040	6C200-47550	MARK HST	1			0.002	
050	6C040-47512	LABEL PARKING	1			0.002	
060	6C200-47480	LABEL PEDAL	1			0.004	
070	6C042-47400	LABEL 4WD	1			0.002	

LABEL [FRENCH]

Ref	Part Number	Part Name	Qty	IC	S/N	Lbs	Remarks
080	32751-49580	LABEL FAN BELT	2			0.002	
090	6C040-47412	LABEL FILLER CAUTION	1			0.002	
100	TA040-49580	LABEL MUFFLER	1			0.002	
110	6C200-47470	LABEL	1			0.002	
120	6C200-47440	LABEL RANGE SHIFT	1			0.006	
130	RC411-57220	MARK EMBLEM K	1			0.033	
140	RA111-43690	NUT	2			0.002	
150	55611-44210	PLATE WASHER	2			0.015	
160	32721-58282	LABEL CAUTION	1			0.002	
170	6C200-41440	MARK STEERING WHEEL	1			0.011	
175	6C200-47350	LABEL POSITION	1			0.006	
180	6C070-47212	MARK MAIN SWITCH	1			0.002	
190	K2591-65410	LABEL REFLECTOR	2			0.022	
200	32745-92100	KIT LABEL	1			0.572	
210	32745-92110	LABEL FUSE	1			0	
220	6C021-92120	LABEL BATTERY	1			0.002	
230	32765-49210	LABEL SEAT WARNING	1			0.004	
240	6C151-47430	LABEL PARKING WARNI.	1			0.004	
250	6C091-49650	LABEL START CAUTION	1			0.022	
260	TA041-49590	LABEL PTO WARNING	1			0.002	
270	6C141-47460	LABEL ROPS WARNING	1			0.002	
280	6C141-47440	LABEL DRAWBAR	1			0.002	
290	32775-49250	LABEL ROPS WARNING	1			0.008	
300	6C071-47422	LABEL SAFETY	1			0.011	
310	6C201-47330	LABEL S-CHANGE	1			0.002	
320	32775-49260	LABEL SEAT CHANGE	1			0.006	

LABEL [FRENCH]

Ref	Part Number	Part Name	Qty	IC	S/N	Lbs	Remarks
330	32745-92053	OPERATORS MANUAL	1			0	
340	32745-47510	LABEL SAFETY START	1			0	
350	32745-47520	LABEL SEAT	1			0	

Silverhorn.CO.UK

ACCESSORIES AND SERVICE PARTS

ACCESSORIES AND SERVICE PARTS ACCESSOIRES ET PIECES DE SERVICE SONTIGES ZUBEHOER UND SERVICE-TEILE ACCESORIOS Y SERVICIO PIEZAS ACCESSORI E SERVIZIO PARTI

TITLE-001-11

ACCESSORIES AND SERVICE PARTS

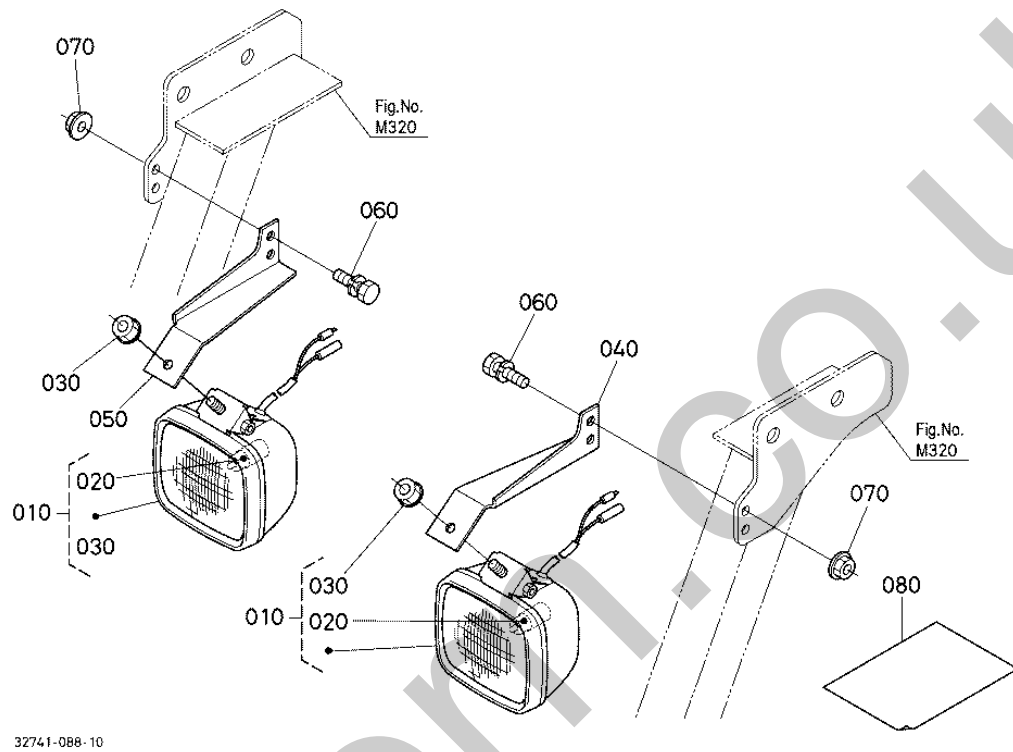
Ref	Part Number	Part Name	Qty	IC	S/N	Lbs	Remarks
010	1G511-89814	STATEMENT WARRANTY	1			0.077	
020	32745-92053	OPERATORS MANUAL	1			0	FRENCH
020	32741-63110	OPERATORS MANUAL	1			0	ENGLISH
030	15241-86612	WRENCH FILTER	1			0.253	
040	34670-34530	FUSE	1			0.006	40A
050	04013-60120	WASHER PLAIN	12			0.022	FOR FRONT WHEEL
060	04512-60120	WASHER SPRING	12			0.011	FOR FRONT WHEEL

ACCESSORIES AND SERVICE PARTS

Ref	Part Number	Part Name	Qty	IC	S/N	Lbs	Remarks
070	02176-50120	NUT	12			0.022	FOR FRONT WHEEL
080	04013-60160	WASHER PLAIN	12			0.022	FOR REAR WHEEL
090	04512-60160	WASHER SPRING	4			0.022	FOR REAR WHEEL
100	02176-50160	NUT	4			0.046	FOR REAR WHEEL
110	01517-51632	STUD	4			0.167	FOR REAR WHEEL
120	01133-51635	BOLT	8			0.198	FOR REAR WHEEL

Silverhorn.CO.UK

WORKING LIGHT KIT (FRONT) (W/G No.L8045) [OPTION]



WORKING LIGHT KIT (FRONT) (W/G No.L8045) [OPTION]

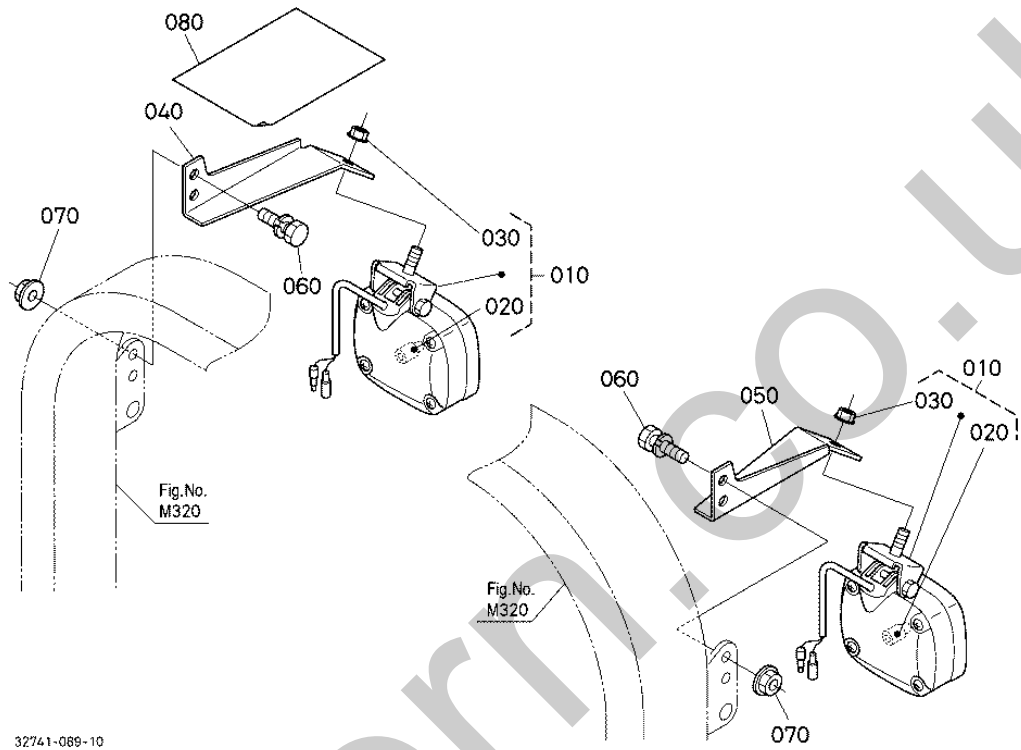
Ref	Part Number	Part Name	Qty	IC	S/N	Lbs	Remarks
010	3F740-75910	LIGHT WORK	2			0.792	
020	3G710-75900	BULB	2			0.015	
030	02763-60080	NUT FLANGE	2			0.011	
040	32781-75350	STAY	1			0.462	
050	32781-75360	STAY	1			0.462	
060	01123-50818	BOLT	4			0.026	
070	02751-50080	NUT FLANGE	4			0.013	

WORKING LIGHT KIT (FRONT) (W/G No.L8045) [OPTION]

Ref	Part Number	Part Name	Qty	IC	S/N	Lbs	Remarks
080	99999-99999	MANUAL ASSEMBLY	1			0	

Silverhorn.CO.UK

WORKING LIGHT KIT (REAR) (W/G No.L8045) [OPTION]



WORKING LIGHT KIT (REAR) (W/G No.L8045) [OPTION]

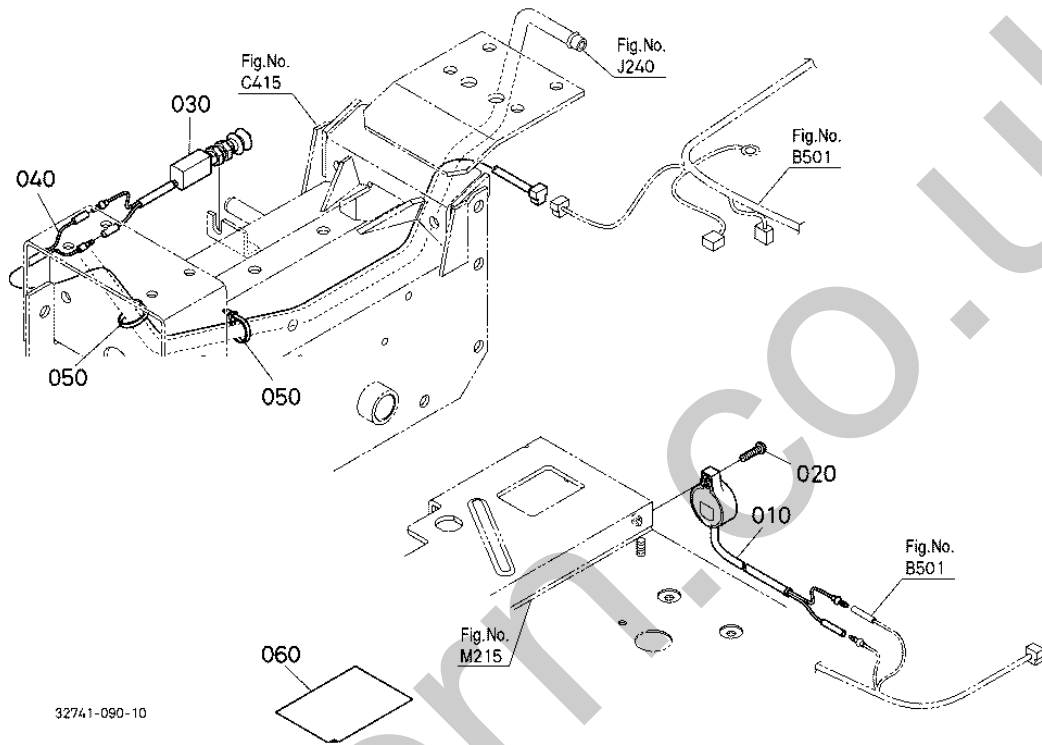
Ref	Part Number	Part Name	Qty	IC	S/N	Lbs	Remarks
010	3F740-75910	LIGHT WORK	2			0.792	
020	3G710-75900	BULB	2			0.015	
030	02763-60080	NUT FLANGE	2			0.011	
040	32781-75350	STAY	1			0.462	
050	32781-75360	STAY	1			0.462	
060	01123-50818	BOLT	4			0.026	
070	02751-50080	NUT FLANGE	4			0.013	

WORKING LIGHT KIT (REAR) (W/G No.L8045) [OPTION]

Ref	Part Number	Part Name	Qty	IC	S/N	Lbs	Remarks
080	99999-99999	MANUAL ASSEMBLY	1			0	

Silverhorn.CO.UK

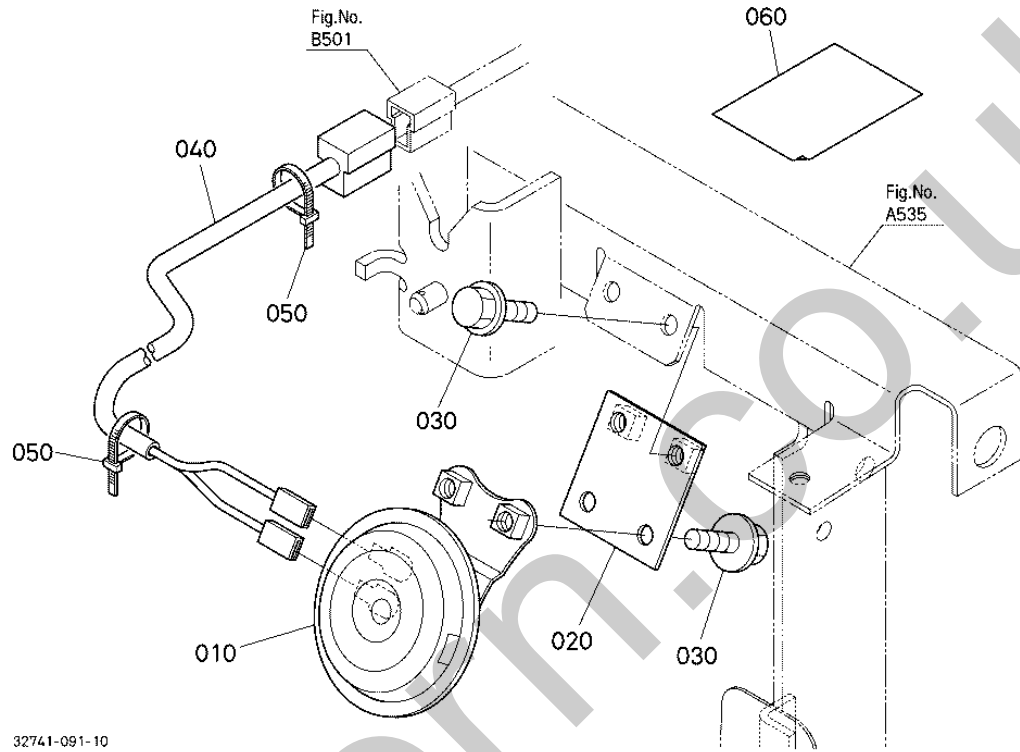
BACK BUZZER KIT (W/G No.B8011) [OPTION]



BACK BUZZER KIT (W/G No.B8011) [OPTION]

Ref	Part Number	Part Name	Qty	IC	S/N	Lbs	Remarks
010	32751-96860	BUZZER BACK	1			0.132	
020	03054-50520	SCREW PAN-HEAD	1			0.011	
030	6C080-31010	SWITCH BRAKE LIGHT	1			0.202	
040	32741-96390	WIRE HARNESS BUZZER	1			0.044	
050	53581-64150	BAND CORD	2			0.004	
060	99999-99999	MANUAL INSTRUCTION	1			0	

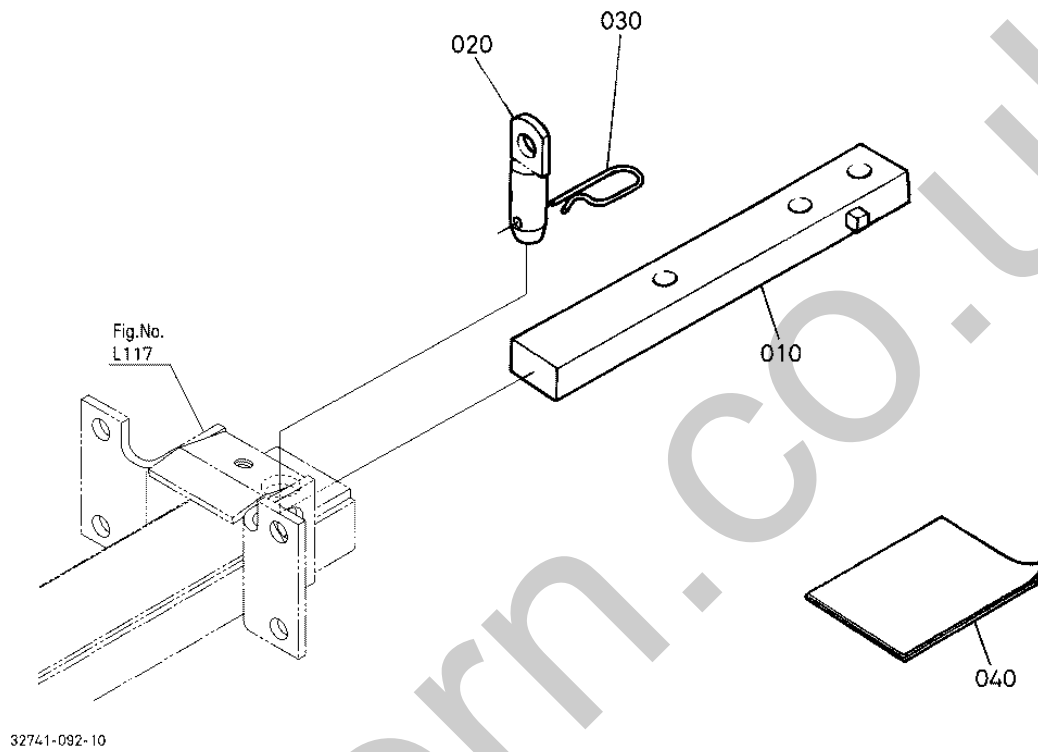
HORN KIT (W/G No.L8043) [OPTION]



HORN KIT (W/G No.L8043) [OPTION]

Ref	Part Number	Part Name	Qty	IC	S/N	Lbs	Remarks
010	6A100-30850	ASSY HORN	1			0.327	
020	32781-96550	STAY HORN	1			0.077	
030	01754-50616	BOLT FLANGE	4			0.013	
040	32781-96520	WIRE HARNESS	1			0.11	
050	53581-64150	BAND CORD	2			0.004	
060	99999-99999	MANUAL ASSEMBLY	1			0	

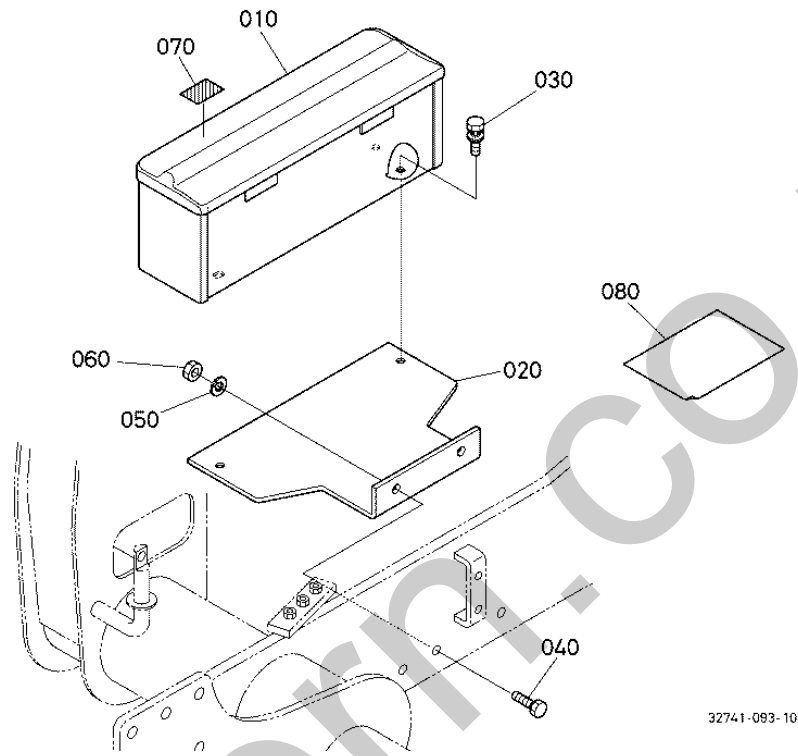
DRAWBER KIT (W/G No.B8036) [OPTION]



DRAWBER KIT (W/G No.B8036) [OPTION]

Ref	Part Number	Part Name	Qty	IC	S/N	Lbs	Remarks
010	6C040-67110	DRAWBAR	1			10.03	
020	6C040-65610	PIN HITCH	1			0.396	
030	31150-29730	PIN SPRING	1			0.096	
040	32721-96910	MANUAL INSTRUCTION	1			0.008	

TOOL BOX KIT (W/G No.B8012) [OPTION]



TOOL BOX KIT (W/G No.B8012) [OPTION]

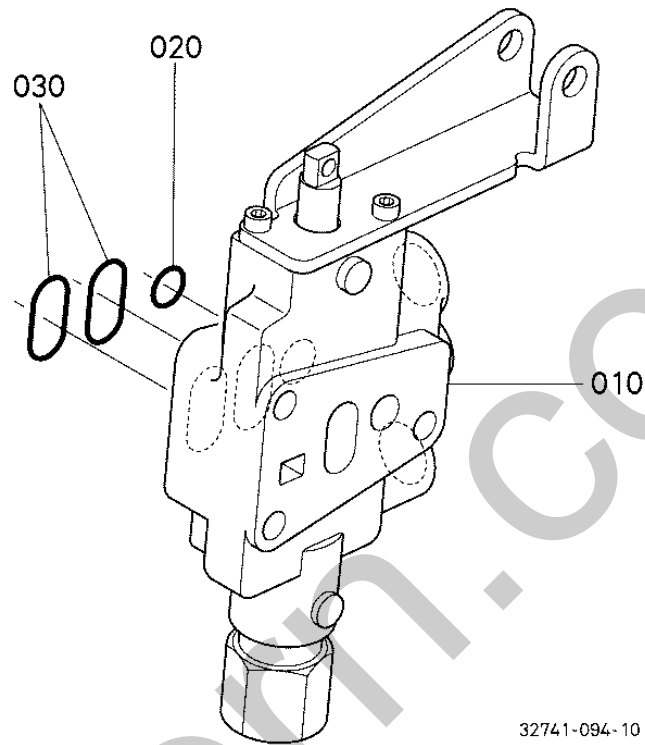
Ref	Part Number	Part Name	Qty	IC	S/N	Lbs	Remarks
010	3A751-90232	CASE TOOLS	1			5.94	
020	32741-96370	STAY TOOL BOX	1			5.544	
030	01125-60820	BOLT	2			0.033	
040	01173-51030	BOLT	2			0.050	
050	04512-60100	WASHER SPRING	2			0.004	
060	02118-50100	NUT	2			0.011	
070	RD118-57650	LABEL	1			0.002	

TOOL BOX KIT (W/G No.B8012) [OPTION]

Ref	Part Number	Part Name	Qty	IC	S/N	Lbs	Remarks
080	99999-99999	MANUAL ASSEMBLY	1			0	

Silverhorn.CO.UK

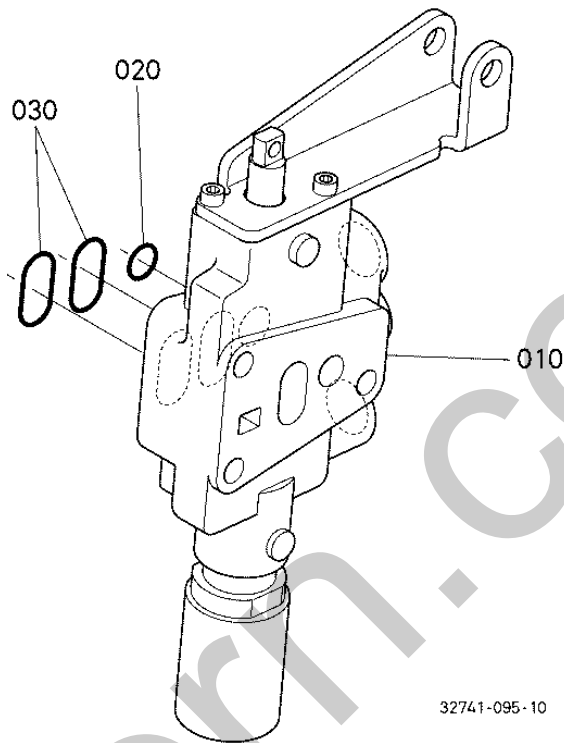
AUXILIARY CONTROL VALVE (W/G No.B8028) [OPTION]



AUXILIARY CONTROL VALVE (W/G No.B8028) [OPTION]

Ref	Part Number	Part Name	Qty	IC	S/N	Lbs	Remarks
010	YW378-00100	ASSY VALVE AUX.CON.	1			4.048	
020	04817-00100	O RING	1			0.002	
030	04817-05200	O RING	2			0.002	

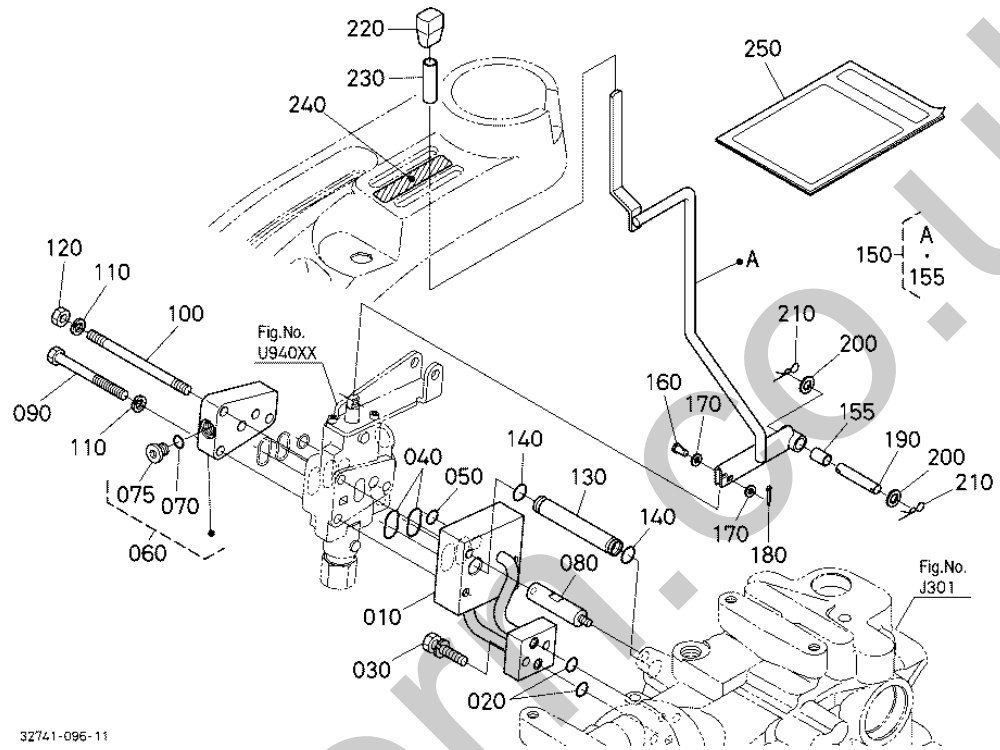
AUXILIARY CONTROL VALVE (FLOATING) (W/G No.B8029) [OPTION]



AUXILIARY CONTROL VALVE (FLOATING) (W/G No.B8029) [OPTION]

Ref	Part Number	Part Name	Qty	IC	S/N	Lbs	Remarks
010	YW377-00100	ASSY VALVE AUX.CON.	1			4.576	
020	04817-00100	O RING	1			0.002	
030	04817-05200	O RING	2			0.002	

AUXILIARY CONTROL VALVE LEVER (1ST) (W/G No.B8027) [OPTION]



32741-096-11

AUXILIARY CONTROL VALVE LEVER (1ST) (W/G No.B8027) [OPTION]

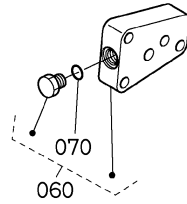
Ref	Part Number	Part Name	Qty	IC	S/N	Lbs	Remarks
010	6C200-93202	BRACKET AUX.CON.VALV	1			3.344	
020	04817-00070	O RING	2			0.002	
030	01123-50830	BOLT	2			0.033	
040	04817-05200	O RING	2			0.002	
050	04817-00100	O RING	1			0.002	
060	TD060-96122	COVER AUX.CON.VALVE	1		<=50032	0.924	
060	YW165-00100	ASSY COVER VALVE	1	>>	>=50033	1.012	

AUXILIARY CONTROL VALVE LEVER (1ST) (W/G No.B8027) [OPTION]

Ref	Part Number	Part Name	Qty	IC	S/N	Lbs	Remarks
070	04817-00080	O RING	1			0.002	
075	5H550-19830	PLUG	1		>=50033	0.011	
080	6C200-93112	BOLT	1			0.352	
090	01153-50875	BOLT	2			0.061	
100	6C200-93132	STUD	1			0.11	
110	04512-60080	WASHER SPRING	3			0.004	
120	02156-50080	NUT	1			0.008	
130	6C200-93120	PIPE RETURN	1			0.077	
140	04817-00110	O RING	2			0.002	
150	32741-93202	ASSY LEVER AUX.CON.	1			0	
155	08511-01020	BUSH	1			0.011	
160	68021-32790	PIN	1			0.008	
170	04012-50050	WASHER PLAIN	2			0.002	
180	05511-51210	PIN SPLIT	1			0.002	
190	TD170-96360	PIN FULCRUM	1			0.063	
200	04011-50100	WASHER PLAIN	2			0.004	
210	05515-61000	PIN SNAP	2			0.004	
220	TD060-96260	GRIP AUX.CONTR.LEVER	1			0.028	
230	32741-93190	TUBE LEVER	1			0.002	
240	TA040-49612	MARK AUX.CONT.VALVE	1			0.002	
250	99999-99999	MANUAL ASSEMBLY	1			0	

AUXILIARY CONTROL VALVE LEVER (1ST) (W/G No.B8027) [OPTION]

OLD PARTS

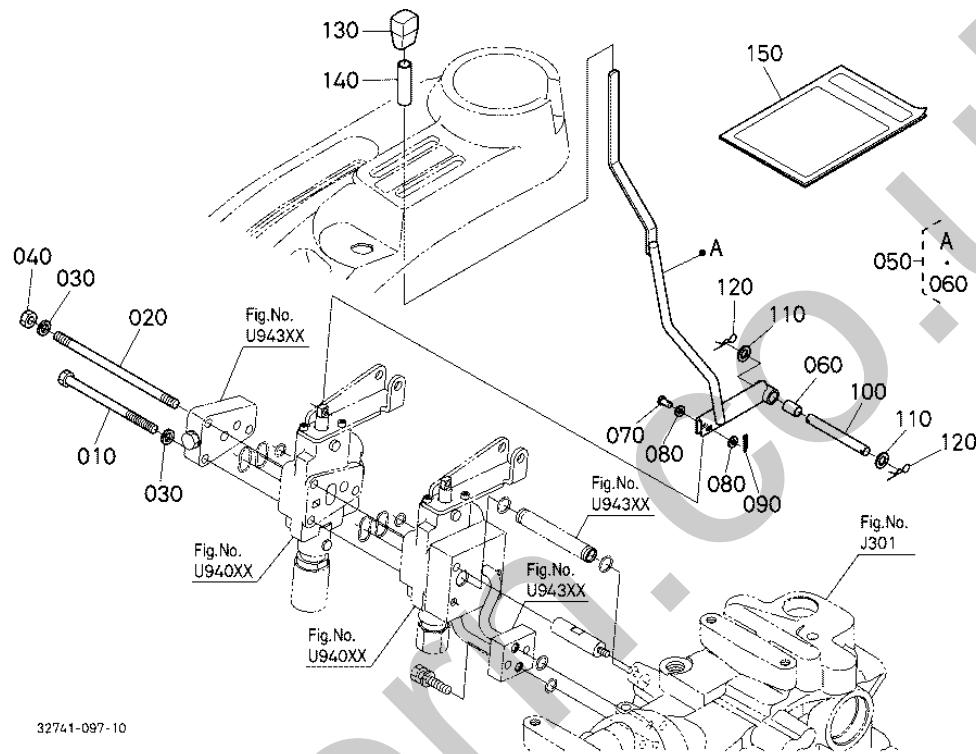


32741-803-10

AUXILIARY CONTROL VALVE LEVER (1ST) (W/G No.B8027) [OPTION]

Ref	Part Number	Part Name	Qty	IC	S/N	Lbs	Remarks
060	YW165-00100	ASSY COVER VALVE	1	>>	>=50033	1.012	
060	TD060-96122	COVER AUX.CON.VALVE	1		<=50032	0.924	
070	04817-00080	O RING	1			0.002	

AUXILIARY CONTROL VALVE LEVER (2ND) (W/G No.B8030) [OPTION]



32741-097-10

AUXILIARY CONTROL VALVE LEVER (2ND) (W/G No.B8030) [OPTION]

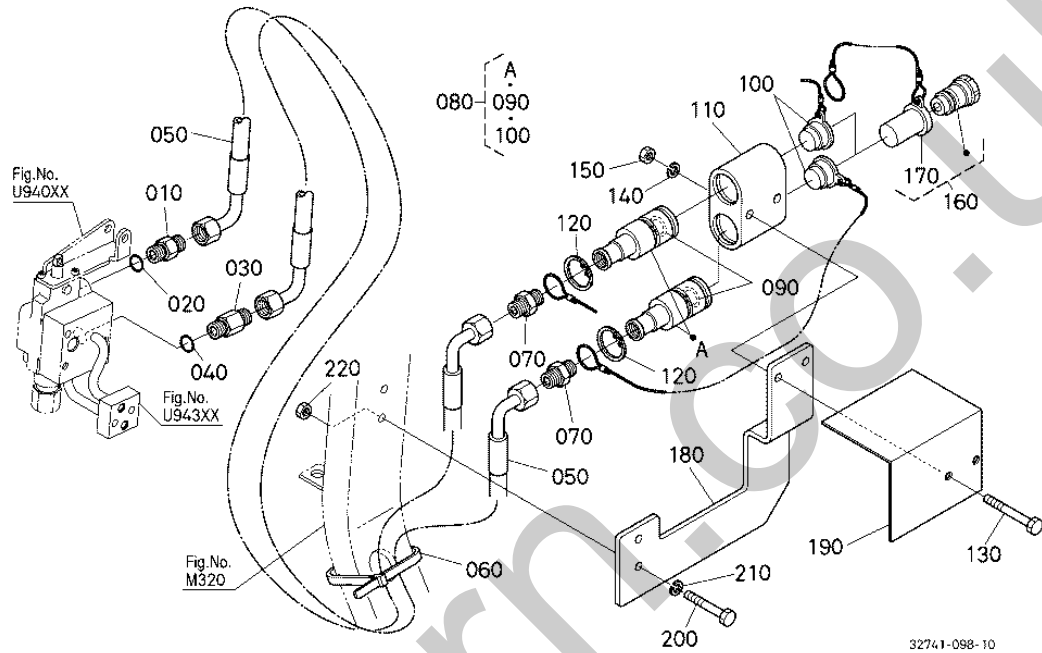
Ref	Part Number	Part Name	Qty	IC	S/N	Lbs	Remarks
010	01153-50802	BOLT	2			0.088	
020	6C200-93142	STUD	1			0.11	
030	04512-60080	WASHER SPRING	3			0.004	
040	02156-50080	NUT	1			0.008	
050	32741-93212	ASSY LEVER AUX.CON.	1			0	
060	08511-01020	BUSH	1			0.011	
070	68021-32790	PIN	1			0.008	

AUXILIARY CONTROL VALVE LEVER (2ND) (W/G No.B8030) [OPTION]

Ref	Part Number	Part Name	Qty	IC	S/N	Lbs	Remarks
080	04012-50050	WASHER PLAIN	2			0.002	
090	05511-51210	PIN SPLIT	1			0.002	
100	TD170-96370	PIN FULCRUM	1			0.11	
110	04011-50100	WASHER PLAIN	2			0.004	
120	05515-61000	PIN SNAP	2			0.004	
130	TD060-96260	GRIP AUX.CONTR.LEVER	1			0.028	
140	32741-93190	TUBE LEVER	1			0.002	
150	99999-99999	MANUAL ASSEMBLY	1			0	

Silverhorn.CO.UK

AUXILIARY CONTROL VALVE COUPLER (1ST) (W/G No.B8027) [OPTION]



AUXILIARY CONTROL VALVE COUPLER (1ST) (W/G No.B8027) [OPTION]

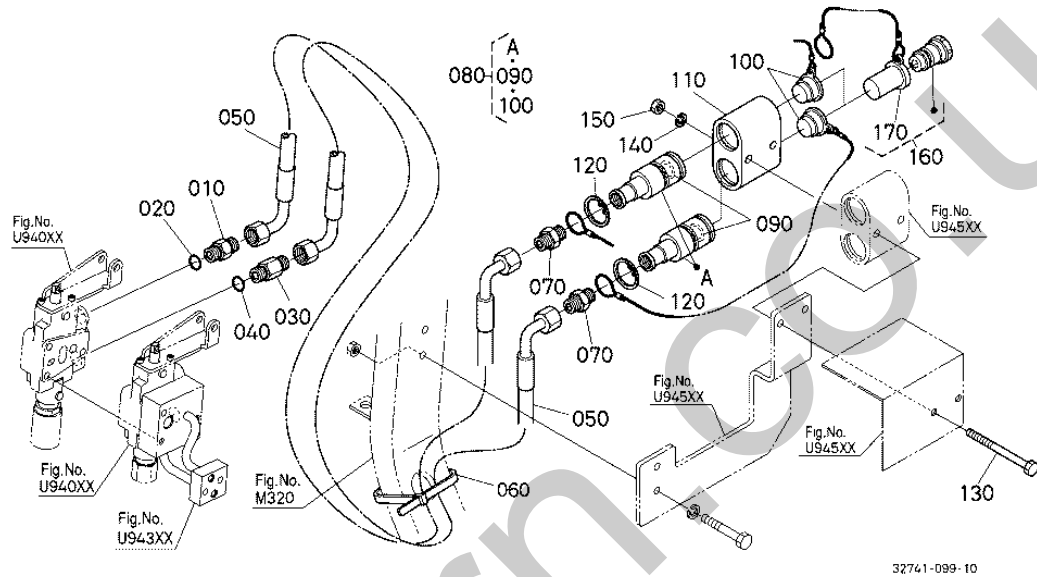
Ref	Part Number	Part Name	Qty	IC	S/N	Lbs	Remarks
010	RP221-61410	JOINT PIPE	1			0.187	
020	04817-00140	O RING	1			0.002	
030	RB301-63810	JOINT PIPE(SF/-F/)	1			0.275	
040	04817-00140	O RING	1			0.002	
050	32741-93250	HOSE AUX.CONT.VALVE	2			0.814	
060	32751-96300	BAND WORK LIGHT	1			0.011	
070	99063-93410	ADAPTER	2			0.154	

AUXILIARY CONTROL VALVE COUPLER (1ST) (W/G No.B8027) [OPTION]

Ref	Part Number	Part Name	Qty	IC	S/N	Lbs	Remarks
080	35861-82032	ASSY COUPLER FEMALE	2			0.704	
090	35861-94510	O RING	2			0.004	
100	35861-94520	PLUG COUPLER	2			0.011	
110	35893-82610	SUPPORT COUPLER	1			1.606	
120	04611-00380	CIR CLIP INTERNAL	2			0.008	
130	01153-50865	BOLT	2			0.055	
140	04512-60080	WASHER SPRING	2			0.004	
150	02156-50080	NUT	2			0.008	
160	35861-82190	ASSY COUPLER MALE	2			0.189	
170	35861-94530	CAP	2			0.015	
180	32741-93170	STAY COUPLER	1			2.2	
190	32741-93290	COVER COUPLER	1			0.99	
200	01153-50855	BOLT	2			0.050	
210	04512-60080	WASHER SPRING	2			0.004	
220	02156-50080	NUT	2			0.008	

Silverhorn.co.uk

AUXILIARY CONTROL VALVE COUPLER (2ND) (W/G No.B8030) [OPTION]



32741-099-10

AUXILIARY CONTROL VALVE COUPLER (2ND) (W/G No.B8030) [OPTION]

Ref	Part Number	Part Name	Qty	IC	S/N	Lbs	Remarks
010	RP221-61410	JOINT PIPE	1			0.187	
020	04817-00140	O RING	1			0.002	
030	RB301-63810	JOINT PIPE(SF/-F/)	1			0.275	
040	04817-00140	O RING	1			0.002	
050	32741-93250	HOSE AUX.CONT.VALVE	2			0.814	
060	32751-96300	BAND WORK LIGHT	1			0.011	
070	99063-93410	ADAPTER	2			0.154	

AUXILIARY CONTROL VALVE COUPLER (2ND) (W/G No.B8030) [OPTION]

Ref	Part Number	Part Name	Qty	IC	S/N	Lbs	Remarks
080	35861-82032	ASSY COUPLER FEMALE	2			0.704	
090	35861-94510	O RING	2			0.004	
100	35861-94520	PLUG COUPLER	2			0.011	
110	35893-82610	SUPPORT COUPLER	1			1.606	
120	04611-00380	CIR CLIP INTERNAL	2			0.008	
130	01153-50802	BOLT	2			0.088	
140	04512-60080	WASHER SPRING	2			0.004	
150	02156-50080	NUT	2			0.008	
160	35861-82190	ASSY COUPLER MALE	2			0.189	
170	35861-94530	CAP	2			0.015	

Silverhorn.co.uk